

THIS DRAWING IS UNPUBLISHED. RELEASED FOR PUBLICATION
 © COPYRIGHT - By - ALL RIGHTS RESERVED.

LOC		DIST		REVISIONS			
P	LTR	DESCRIPTION	DATE	DWN	APVD		
AD	00						
	P3	REVISED PER ECO-12-012308	04OCT12	KH	OP		

SPECIFICATIONS:

MATERIALS:
 CASE: PBT UL94HB, BLACK.
 COVER: STEEL ,TIN PLATE.
 ACTUATOR BUTTON: SEE P/N TABLE.
 MOVING CONTACT: PHOS BRONZE, SILVER.
 FIXED CONTACT/TERMINAL: BRASS, SILVER OVER NICKEL.

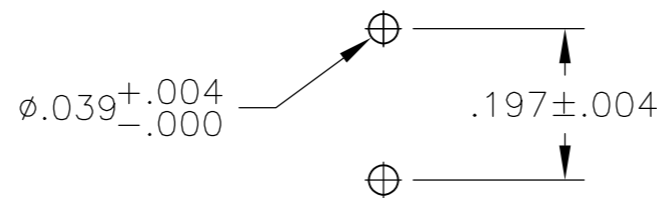
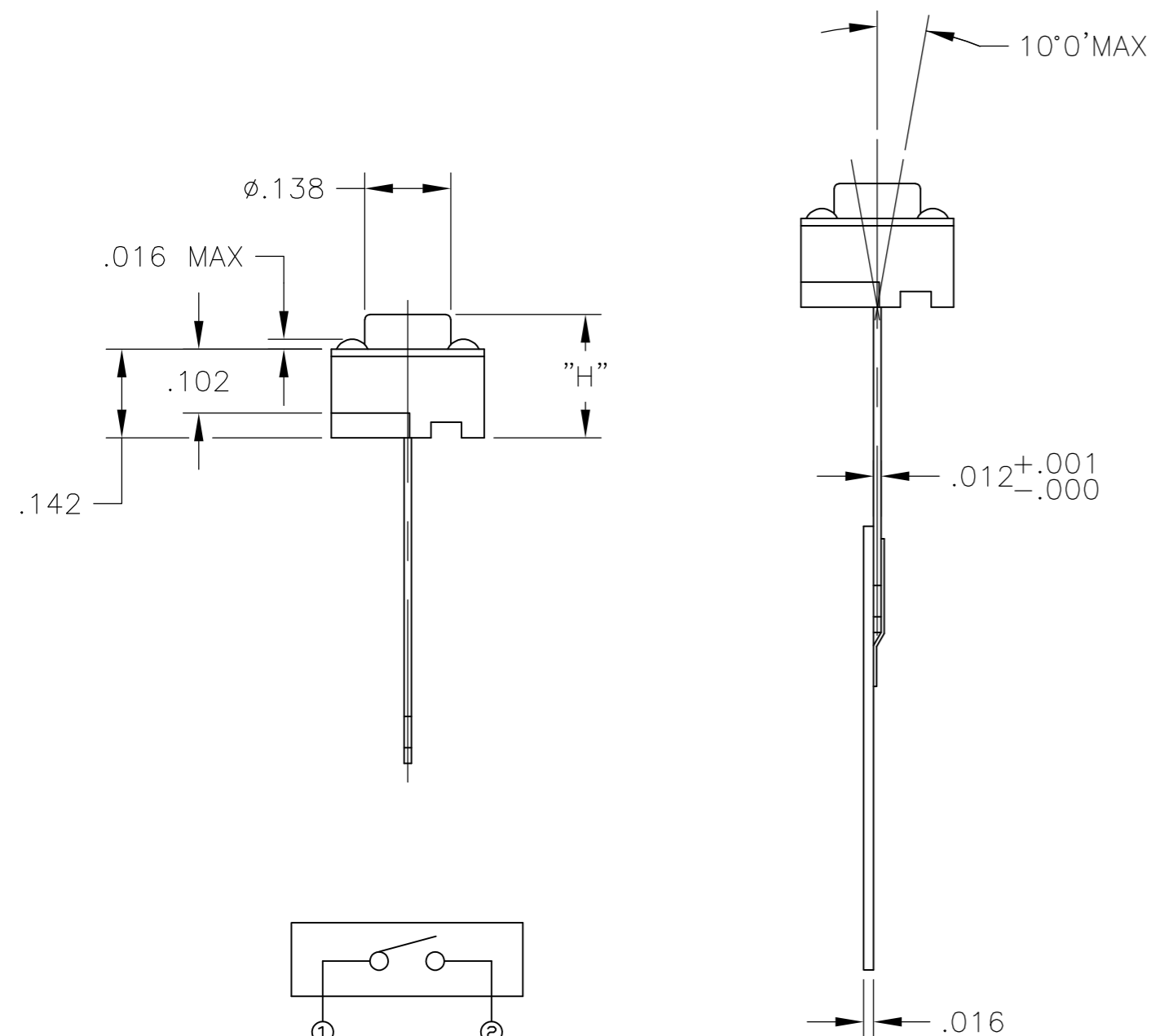
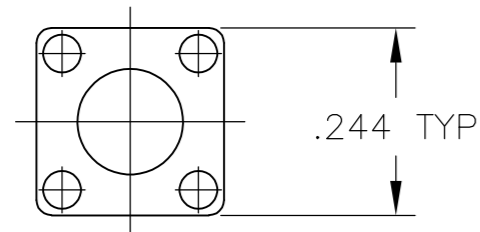
ELECTRICAL:
 MAX CONTACT RATING: 50MILLIAMPS@24V DC
 MIN CONTACT RATING: 10MICROAMPS@1V DC
 CONTACT RESISTANCE: 100 MILLIOHMS MAX.
 INSULATION RESISTANCE: 100 MEGOHMS MIN. @ 100 VDC.
 DIELECTRIC STRENGTH: 500 VAC 50/60 Hz FOR 1 MINUTE
 LIFE EXPECTANCY: 100,000 CYCLES.

MECHANICAL:
 ACTUATION FORCE: SEE P/N TABLE.
 ACTUATION TRAVEL: .010 IN, (0.25 mm) APPROX.

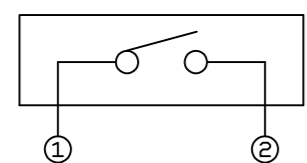
ENVIRONMENTAL:
 OPERATING TEMPERATURE: -35°C TO +105°C
 STORAGE TEMPERATURE: -35°C TO +85°C

SOLDERABILITY:
 SOLDERABILITY EIA-364-52,CLASS 1,CATEGORY 2
 SOLDER HEAT RESISTANCE PER 109-202 CONDITION B

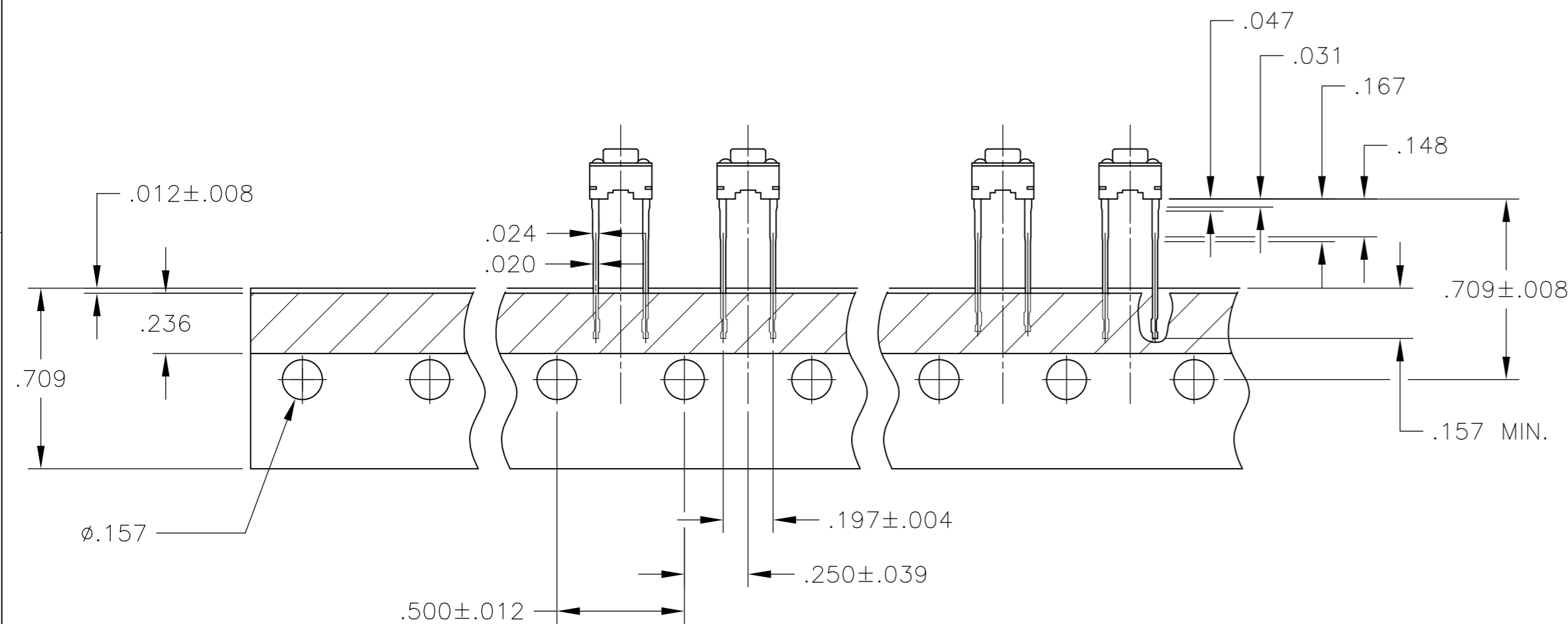
- 1 ALL MATERIALS AND FINISHES SHALL COMPLY WITH EU DIRECTIVE 2002/95/EC OF 27JAN2003 (ROHS)
- 2 RADIAL TAPE PACKAGING PER AUGAT SPEC.#295.
- 3 SPECIFICATIONS SUBJECT TO CHANGE WITHOUT NOTIFICATION.



RECOMMENDED HOLE LAYOUT



CIRCUIT DIAGRAM



100 +/-50 grams	Nylon 66	BROWN	.197 (5.0)	FSM4JBRT	1571010-2
160 +/-50 grams	Nylon 66	BLACK	.512 (13.0)	FSM14JRT	1571010-1
260 +/-50 grams	PBT	RED	.374 (9.5)	FSM8JART	147871-1
160 +/-50 grams	PBT	BLACK	.374 (9.5)	FSM8JRT	147694-1
260 +/-50 grams	Nylon 66	RED	.276 (7.0)	FSM6JART	1571402-1
OBSOLETE 160 +/-50 grams	Nylon 66	BLUE	.276 (7.0)	FSM6JRT	4-1437565-8
260 +/-50 grams	PBT	RED	.197 (5.0)	FSM4JART	147997-1
160 +/-50 grams	Nylon 66	BLACK	.197 (5.0)	FSM4JRT	4-1437565-0
160 +/-50 grams	PBT	NATURAL	0.169 (4.3)	FSM2JRT	2-1437565-6
260 +/-50 grams	PBT	RED	0.169 (4.3)	FSM2JART	2-1437565-2
ACTUATION FORCE	ACTUATOR MATERIAL	ACTUATOR COLOR	DIM H	T&B P/N	PART NUMBER

THIS DRAWING IS A CONTROLLED DOCUMENT.		DWN	M.BINNER	29SEP05	
DIMENSIONS: INCHES		CHK	M.SARVER	29SEP05	
TOLERANCES UNLESS OTHERWISE SPECIFIED:		APVD	M.SARVER	29SEP05	
0 PLC ± - 1 PLC ± - 2 PLC ± - 3 PLC ± .012 4 PLC ± - ANGLES ± 1°		PRODUCT SPEC	NAME		
MATERIAL SEE SPECIFICATIONS		FINISH	SEE SPECIFICATIONS		SWITCH, PUSHBUTTON SIZE CAGE CODE DRAWING NO RESTRICTED TO A2 00779 C-2-1437565-2 -
CUSTOMER DRAWING		WEIGHT	-		SCALE SHEET REV 4:1 1 of 1 P3