

INTERCONNECTS

SERIES 830, 831, 832, 833 • 2mm GRID HEADERS AND SOCKETS • SINGLE AND DOUBLE ROW STRIPS

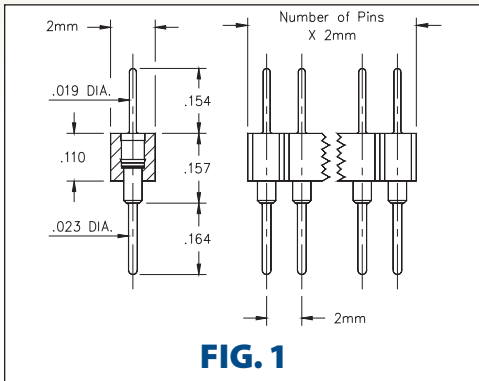


FIG. 1

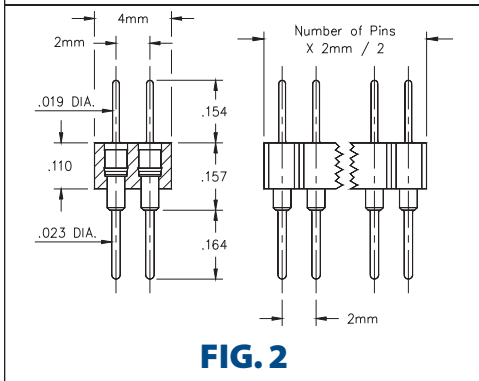


FIG. 2

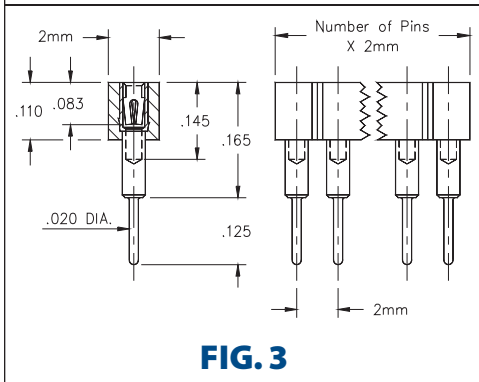


FIG. 3

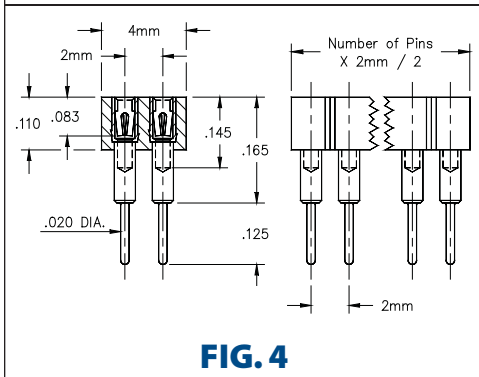


FIG. 4

- Series 830 single & double row interconnects have 2mm pin spacing and permit board stacking as low as .322"
- Pin headers (830 & 832 series) use MM #5012 pins. See page 208 for details
- Sockets (831 & 833 series) use MM #1802 receptacles and accept pin diameters from .015"-.025". See page 169 for details
- Contact is rated at 3 amps
- Insulators are high temperature thermoplastic, suitable for all soldering operations



ORDERING INFORMATION

FIG. 1	Series 830...001	Single Row Pin Header										
	830-XX-0	-10-001000	Specify number of pins 01-50									
FIG. 2	Series 832...001	Double Row Pin Header										
	832-XX-	-10-001000	Specify number of pins 002-100									
XX=Plating Code See Below For Electrical, Mechanical & Environmental Data, See page 264												
SPECIFY PLATING CODE XX=												
<table border="1" style="width: 100%; border-collapse: collapse;"> <tr> <td style="width: 25%; text-align: center;">10 </td> <td style="width: 25%; text-align: center;">90</td> <td style="width: 25%; text-align: center;">40 </td> <td style="width: 25%;"></td> </tr> <tr> <td>Pin Plating </td> <td>10 μ" Au</td> <td>200 μ" Sn/Pb</td> <td>200 μ" Sn</td> </tr> </table>					10	90	40		Pin Plating	10 μ" Au	200 μ" Sn/Pb	200 μ" Sn
10	90	40										
Pin Plating	10 μ" Au	200 μ" Sn/Pb	200 μ" Sn									

FIG. 3	Series 831...001	Single Row Socket																					
	831-XX-0	-10-001000	Specify number of pins 01-50																				
FIG. 4	Series 833...001	Double Row Socket																					
	833-XX-	-10-001000	Specify number of pins 002-100																				
XX=Plating Code See Below For Electrical, Mechanical & Environmental Data, See page 264																							
SPECIFY PLATING CODE XX=																							
<table border="1" style="width: 100%; border-collapse: collapse;"> <tr> <td style="width: 15%;"></td> <td style="width: 15%; text-align: center;">91</td> <td style="width: 15%; text-align: center;">93</td> <td style="width: 15%; text-align: center;">41 </td> <td style="width: 15%; text-align: center;">43 </td> <td style="width: 15%;"></td> </tr> <tr> <td>Sleeve (Pin) </td> <td>200 μ" Sn/Pb</td> <td>200 μ" Sn/Pb</td> <td>200 μ" Sn</td> <td>200 μ" Sn</td> <td></td> </tr> <tr> <td>Contact (Clip) </td> <td>10 μ" Au</td> <td>30 μ" Au</td> <td>10 μ" Au</td> <td>30 μ" Au</td> <td></td> </tr> </table>							91	93	41	43		Sleeve (Pin)	200 μ" Sn/Pb	200 μ" Sn/Pb	200 μ" Sn	200 μ" Sn		Contact (Clip)	10 μ" Au	30 μ" Au	10 μ" Au	30 μ" Au	
	91	93	41	43																			
Sleeve (Pin)	200 μ" Sn/Pb	200 μ" Sn/Pb	200 μ" Sn	200 μ" Sn																			
Contact (Clip)	10 μ" Au	30 μ" Au	10 μ" Au	30 μ" Au																			

