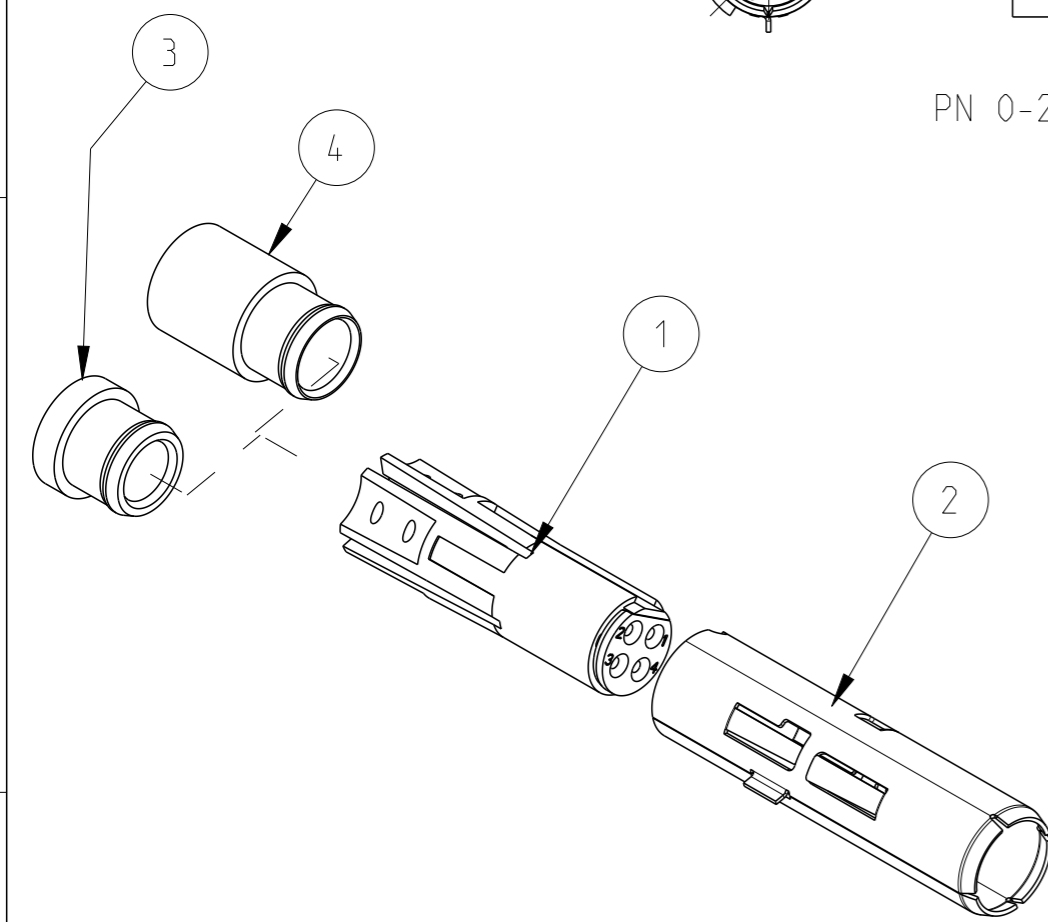
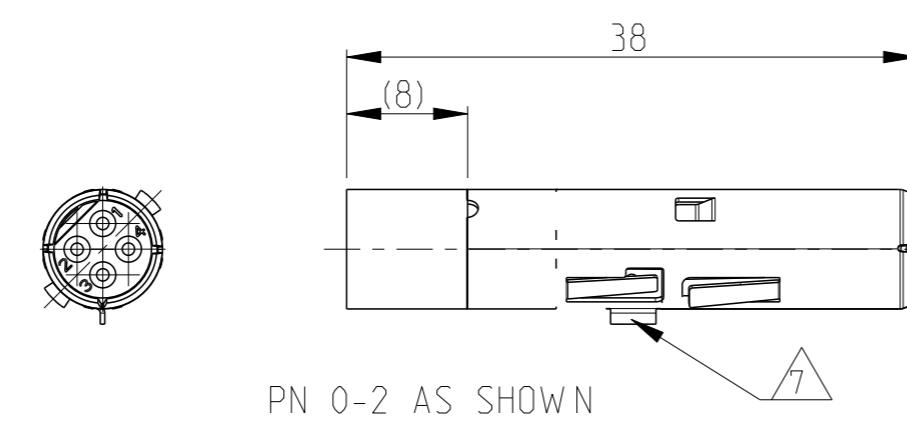
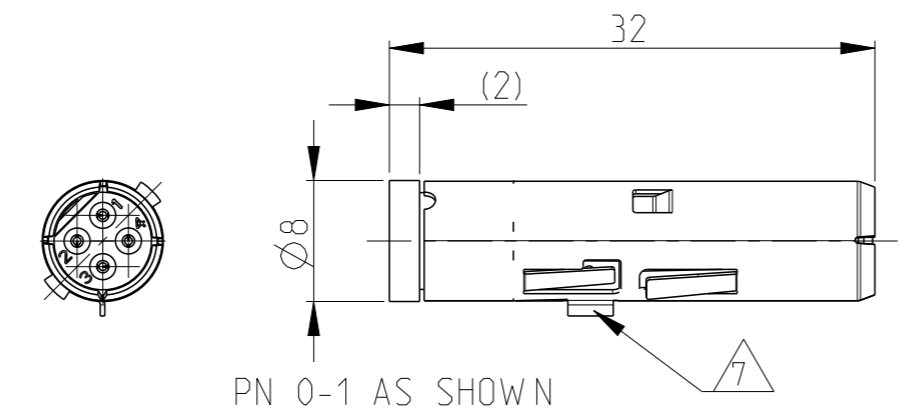


LOC	DIST	REVISIONS ÄNDERUNGEN					
AI	-	P	LTR	DESCRIPTION BESCHREIBUNG	DATE	DWN	APVD
PROJEKT NR.:			E1	CUT OFF ADDED BY AREA LEAD-IN CHAMFER	31MAY2012	KHH	HEIN
			F1	LOCKING LATCHES OF FEMALE SHELL CHANGED	02OCT2013	SH	DO



- Notes
- 1 SUITABLE POWER INSERT: SERIES HC26
CUSTOMER DRAWING: 1103429
 - 2 SUITABLE CAT5e CABLE:
CUSTOMER DRAWING: 1103536
 - 3 SUITABLE CRIMP CONTACTS:
CUSTOMER DRAWING: 1658686
 - 4 SUITABLE INSERTION TOOL:
CUSTOMER DRAWING: 91285
 - 5 SUITABLE EXTRACTION TOOL:
CUSTOMER DRAWING: 91285
 - 6 STANDARDS:
DIN EN 61984, DIN EN 60664-1
 - 7 POLARIZATION RIP
 - 8 FOR WIRE-SHIELDING DIAMETER 5.0
 - 9 FOR WIRE-SHIELDING DIAMETER 4.2
 - 10 PACKAGING:
40 SETS IN A CARTON, UNMOUNTED

1	-	FERRULE	BRASS	SILVER PLATED	SERIES HC26, FEM. SHELL CRIMP VERSION	8	4
-	1	FERRULE	BRASS	SILVER PLATED	SERIES HC26, FEM. SHELL STANDARD	9	3
1	1	FEMALE SHELL	COPPER ALLOY	SILVER PLATED	SERIES HC26, 4 POS. 22 DF		2
1	1	FEMALE INSERT ASS'Y	PBT-GF10	GREY	SERIES HC26, 4 POS. 22 DF		1
0-2	0-1						
		DESCRIPTION	MATERIAL	COLOR/SURFACE	NOTE		ITEM

PARTS LIST (PER ONE UNIT)

DIESE ZEICHNUNG IST EIN KONTROLLIERTES DOKUMENT.
 BEMASSUNGEN UND TOLERANZEN GEMAESS GPS (ISO STANDARDS).

THIS DRAWING IS A CONTROLLED DOCUMENT.
 DIMENSIONING AND TOLERANCING PER GPS (ISO STANDARDS).

DIMENSIONS: MASSEINHEITEN: MM	TOLERANCES UNLESS OTHERWISE SPECIFIED: ALLGEMEINTOLERANZEN	DWN H.BRAUN 19OCT2007	
	0 PLC ± 1 PLC ± 2 PLC ± 3 PLC ± 4 PLC ± ANGLES/WINKEL ±	CHK T.VETTER 27OCT2008	
		APVD T.SCHNURPFIL 27OCT2008	
		PRODUCT SPEC PRODUKTSPEZ. 108-74097	
MATERIAL	FINISH/OBERFLAECHE/FARBE	APPLICATION SPEC VERARBEITUNGSSPEZ. 114-74103	NAME FEMALE INSERT ASS'Y SERIES HC26, 4-POS., 22DF POWER 4 NET
		WEIGHT GEWICHT	SIZE A3
			CAGE CODE 00779
			DRAWING NO. ZEICHNUNGS-NR. G=1103427
			RESTRICTED TO NUR FUER -
			SCALE MASSSTAB 2:1
			SHEET BLATT 1 OF 1
			REV F1

CUSTOMER DRAWING /KUNDENZEICHNUNG