

Level Sensors

Capacitive Level Detector

Type CD50 CNF 06 NO

CARLO GAVAZZI



- Basic capacitive water level sensor
- For water storage tanks in mini-pools and whirlpools
- Detection of excess water in the whirlpool tub
- Safety device to control the operation of the pump
- Mounting by screws or glued on the outside of any non-metallic tank
- Supply 10-30 VDC or 5 VDC

Product Description

Capacitive level detectors. 3-wire DC sensors with open collector NPN or PNP transistor output. The sensors is available in a 5 VDC version and a 10-30 VDC

version. The sensing distance is fixed and works through a non-metallic wall of up to 20 mm of thickness.

Ordering Key

CD50 CNF 06 NO

Capacitive proximity switch	CD50
Housing style	CNF
Housing size	06
Housing material	
Housing length	
Detection principle	
Sensing distance	
Output type	NO
Output configuration	

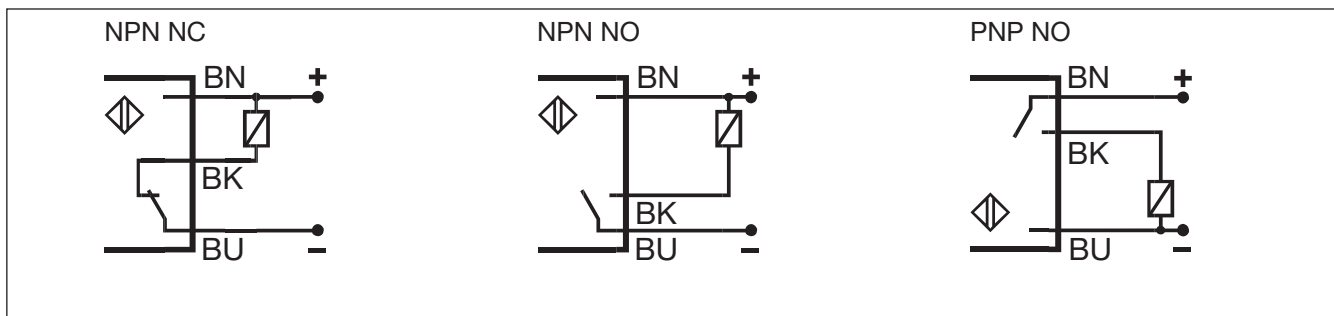
Type Selection

Supply	Housing size (mm)	Rated operating distance (S _n)	Mounting	Ordering no. Transistor NPN/ cable, make switching	Ordering no. Transistor NPN/ cable, break switching	Ordering no. Transistor PNP/ cable, make switching
10-30 VDC	50 x 30 x 7	10 mm	M3 screws or glued		CD50CNF10NC	CD50CNF10PO
10-30 VDC	50 x 30 x 7	7 mm	M3 screws or glued		CD50CNF07NC	CD50CNF07PO
10-30 VDC	50 x 30 x 7	6 mm	M3 screws or glued	CD50CNF06NO		
5 VDC	50 x 30 x 7	5 mm	M3 screws or glued	CD50CNF05NO		

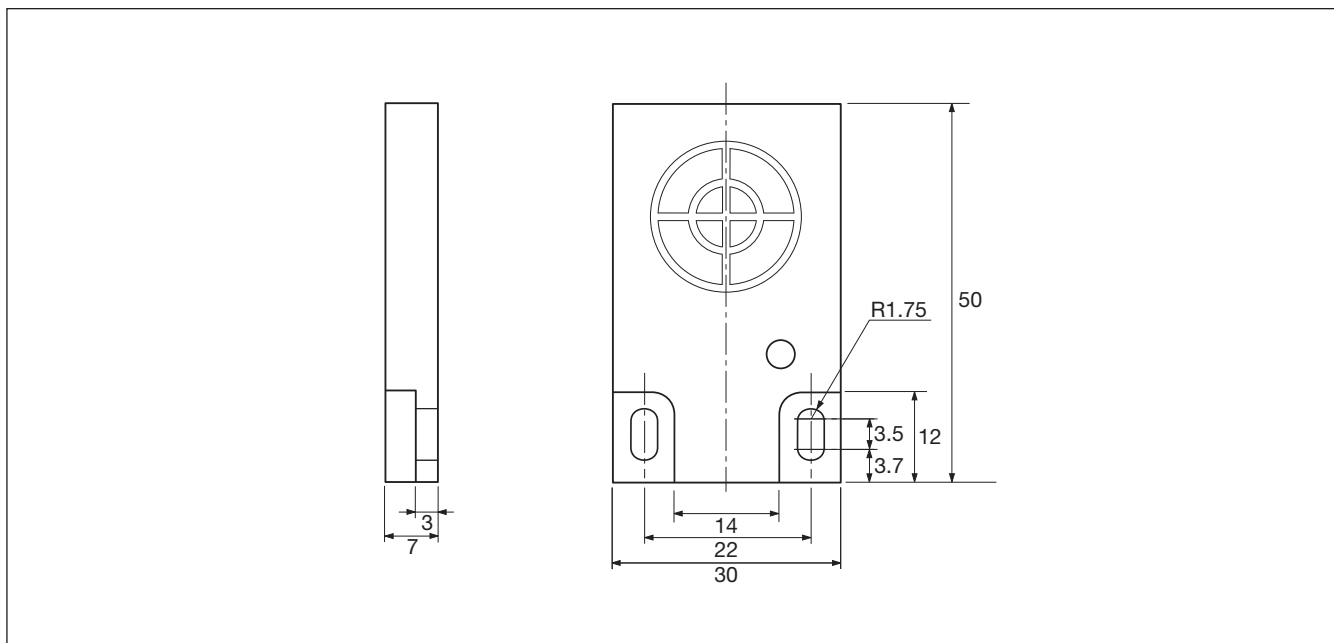
Specifications

Rated operation dist. (S_n) Fixed CD50CNF10XX Fixed CD50CNF07XX Fixed CD50CNF06NO Fixed CD50CNF05NO	10 mm (ref. st. 37 grounded) 7 mm (ref. st. 37 grounded) 6 mm (ref. st. 37 grounded) 5 mm (ref. st. 37 grounded)	Output CD50CNFXXNO CD50CNFXXNC CD50CNFXXPO	Open collector, NPN, make switching Open collector, NPN, breake switching Open collector, PNP, make switching
Rated operational volt. (U_e) Fixed CD50CNF10-07-06XX Fixed CD50CNF05NO	10-30 VDC ± 10% (ripple included) 5 VDC ± 10% (ripple included)	Environment Degree of protection Operating temperature Storage temperature	IP 67 0 to +60°C (32 to +140°F) -30 to +75°C (-22 to +167°F)
Ripple	≤ 10%	Housing material	Noryl, grey
Rated operational current (I_e) Continuous	≤ 50 mA	Connection Cable	2.0 m, 3 x 0.25 mm ² grey PVC, oil proof
No-load supply current (I_o)	≤ 10 mA	Weight	120 g
Leakage current	< 100 μ A	CE-marking	Yes
Voltage drop (U_d) @ 50 mA	1.5 V		
Frequency of operating cycles (f) CD50CNF10XX CD50CNF07XX CD50CNF06XX CD50CNF05XX	10 Hz 10 Hz 10 Hz 10 Hz		

Wiring Diagram



Dimensions



Delivery Contents

- Capacitive switch
- **Packaging:** Plastic bag