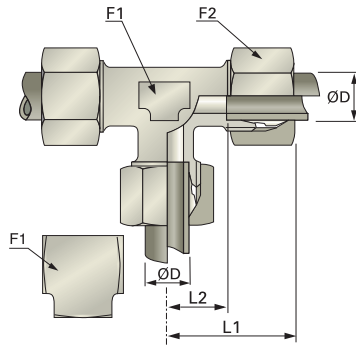


Equal tees



	PN	ØD	Body only	Single-bite ring	Double-bite ring	DiNova ring	Bell code	F1*	F2	L1	L2	kg
LL		4	8004E04 00	8104E04 00			15-12/LL4	9	10	21	11	0,031
		6	8004E06 00	8104E06 00			15-12/LL6	11	12	21	9,5	0,036
		8	8004E08 00	8104E08 00			15-12/LL8	12	14	23	11,5	0,052
L	400	6	8004L06 00		8204L06 00	8304L06 00	ZS15-12/L6	12	14	27	12	0,071
		8	8004L08 00		8204L08 00	8304L08 00	ZS15-12/L8	14	17	29	14	0,101
		10	8004L10 00		8204L10 00	8304L10 00	ZS15-12/L10	17	19	30	15	0,137
		12	8004L12 00		8204L12 00	8304L12 00	ZS15-12/L12	19	22	32	17	0,174
		15	8004L15 00		8204L15 00	8304L15 00	ZS15-12/L15	19	27	36	21	0,244
	315	18	8004L18 00		8204L18 00	8304L18 00	ZS15-12/L18	24	32	40	23,5	0,353
		22	8004L22 00		8204L22 00	8304L22 00	ZS15-12/L22	27	36	44	27,5	0,473
		28	8004L28 00		8204L28 00	8304L28 00	ZS15-12/L28	36	41	47	30,5	0,737
	250	35	8004L35 00		8204L35 00	8304L35 00	ZS15-12/L35	41	50	56	34,5	0,901
		42	8004L42 00		8204L42 00	8304L42 00	ZS15-12/L42	50	60	63	40	1,484
S	630	6	8004S06 00		8204S06 00	8304S06 00	ZS15-12/S6	14	17	31	16	0,118
		8	8004S08 00		8204S08 00	8304S08 00	ZS15-12/S8	17	19	32	17	0,148
		10	8004S10 00		8204S10 00	8304S10 00	ZS15-12/S10	19	22	34	17,5	0,215
		12	8004S12 00		8204S12 00	8304S12 00	ZS15-12/S12	22	24	38	21,5	0,284
		14	8004S14 00		8204S14 00	8304S14 00	ZS15-12/S14	19	27	40	22	0,295
	400	16	8004S16 00		8204S16 00	8304S16 00	ZS15-12/S16	24	30	43	24,5	0,387
		20	8004S20 00		8204S20 00	8304S20 00	ZS15-12/S20	27	36	48	26,5	0,590
		25	8004S25 00		8204S25 00	8304S25 00	ZS15-12/S25	36	46	54	30	1,096
		30	8004S30 00		8204S30 00	8304S30 00	ZS15-12/S30	41	50	62	35,5	1,313
		315	38	8004S38 00		8204S38 00	8304S38 00	ZS15-12/S38	50	60	72	41

* Models ØD 4 to 10mm are manufactured from profile steel
 Models ØD > 10mm are manufactured from forged steel