


**Ordering number C12512\_RITA-A**

Family	Rita	FWHM	Asymmetric degrees
Type	Reflector	Efficiency	86 %
LED	XP-G	cd/lm	(simulated) 0.000
Color	White	Gerber File	Available
Diameter	36+28.4 mm		
Height	17.1 mm		
Style	Rectang		
Optic Material	PC		
Holder Material	-		
Fastening	Pin, glue		
Status	On production		

**Ordering number CA12514\_RITA-A**

Family	Rita	FWHM	Asymmetric degrees
Type	Assembly	Efficiency	86 %
LED	XP-G	cd/lm	(simulated) 0.000
Color	White	Gerber File	Available
Diameter	36 + 28.4 mm		
Height	17.3 mm		
Style	Rectang		
Optic Material	PC		
Holder Material	-		
Fastening	Pin, tape		
Status	On production		

**NOTE: The typical divergence will be changed by different color, chip size and chip position tolerance. The typical total divergence is the full angle measured where the luminous intensity is half of the peak value.**



## PRODUCT DATASHEET

### Rita series

last update 16/4/2012

#### GENERAL INFORMATION

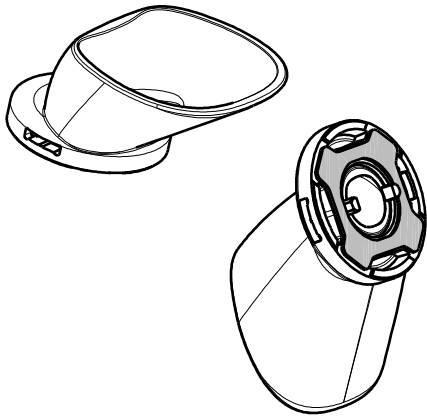
- Product series especially designed & optimized for XP-G series of LEDs.
- Special care taken to make light distribution as uniform as possible.
- Reflector is made of aluminium coated PC (120 degrees of Celcius / 248 degrees of Fahrenheit) with protective lacquer (110 degrees of Celcius / 230 degrees of Fahrenheit).

D

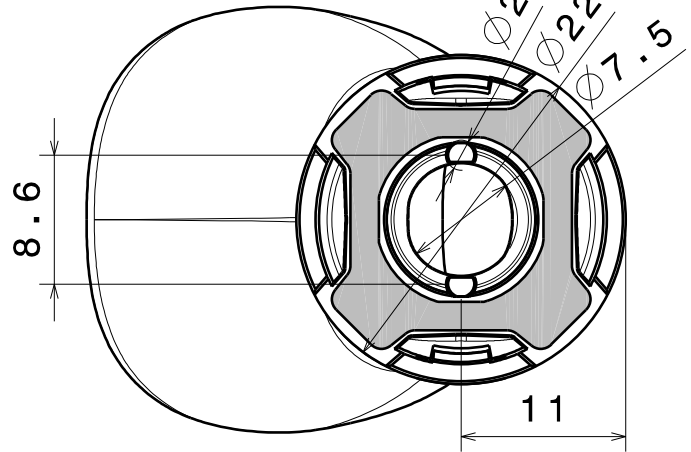
C

B

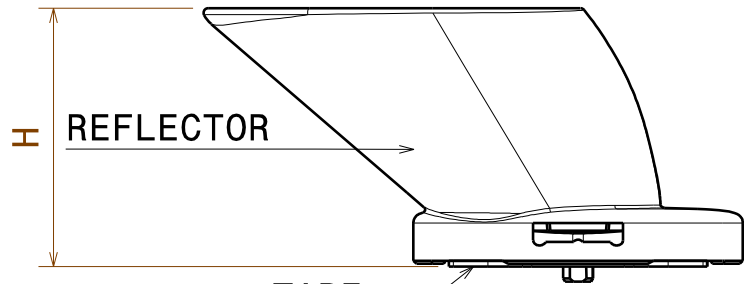
A



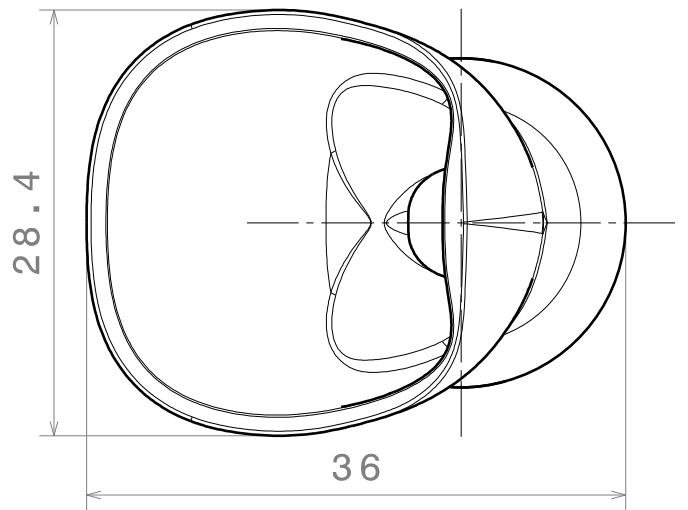
Isometric view



Bottom view



Front view



Top view

**DIMENSION H:**

- WITH TAPE 17.3mm
- WITHOUT TAPE 17.1mm

Tolerances for dimensions:  
 0-20mm tolerance value  $\pm 0.1\text{mm}$   
 21-45mm tolerance value  $\pm 0.2\text{mm}$   
 46-90mm tolerance value  $\pm 0.3\text{mm}$   
 91-100mm tolerance value  $\pm 0.4\text{mm}$   
 101-mm tolerance value  $\pm 0.5\text{mm}$

This drawing is our property.  
 It can't be reproduced  
 or communicated without  
 our written agreement.



Ledil Oy  
 Salorankatu 10  
 FIN 24240 SALO  
 Finland

**DRAWING TITLE**

Datasheet RITA-A reflector

**DRAWN BY**

mav

**DATE**

30.12.2011

**CHECKED BY**

sn

**DATE**

30.12.2011

**SIZE**

A4

**DRAWING NUMBER**

-

**REV**

1

**DESIGNED BY**

hh/pl

**DATE**

30.12.2011

**SCALE**

1:1

**WEIGHT (g)**

**SHEET**

1/1

D

A

4

4

3

3

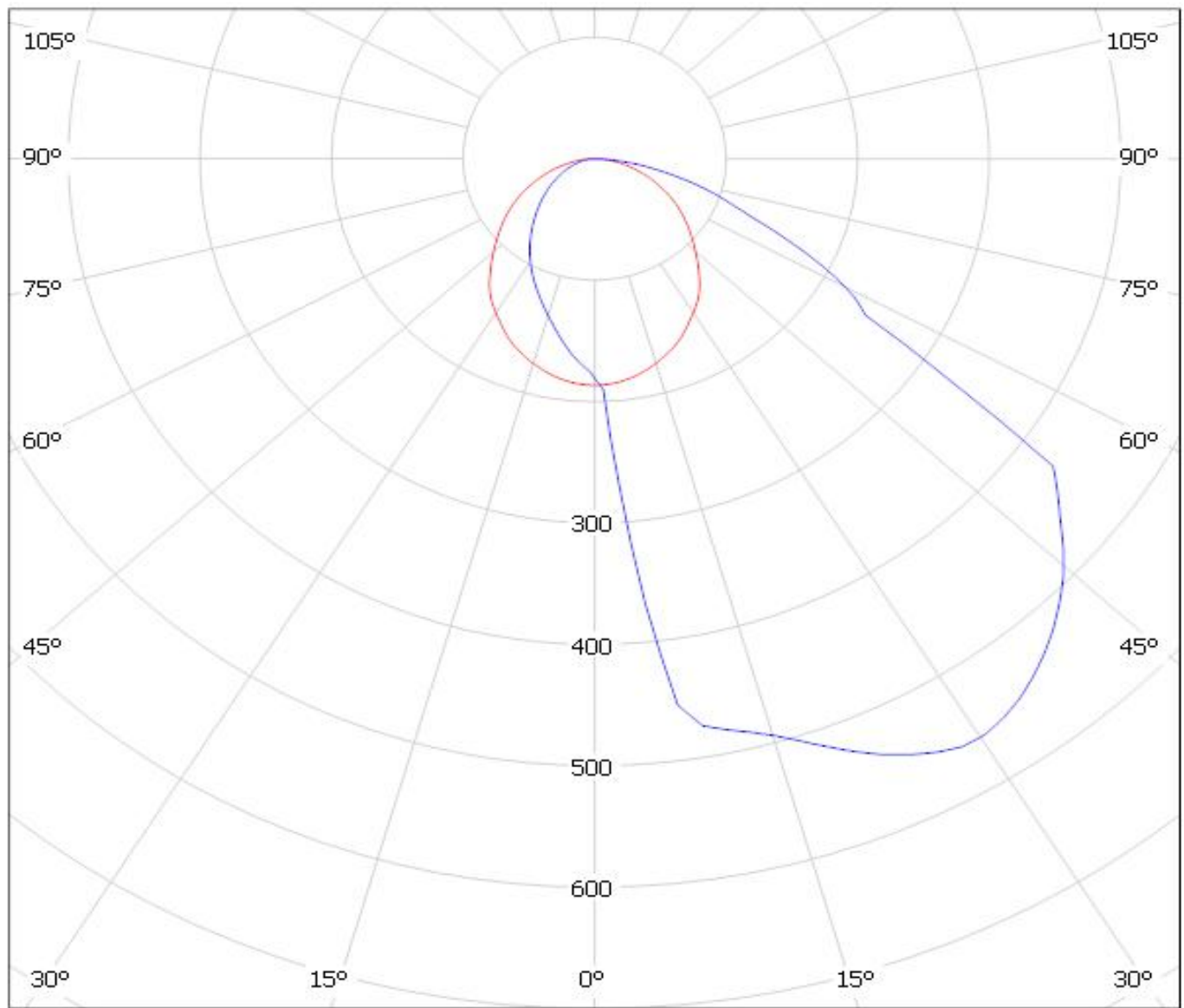
2

2

1

1

Luminaire: Ledil Oy C12512\_RITA-A-WHT\_refl (XP-G) Efficiency=86%  
Lamps: 1 x CREE XP-G (white)

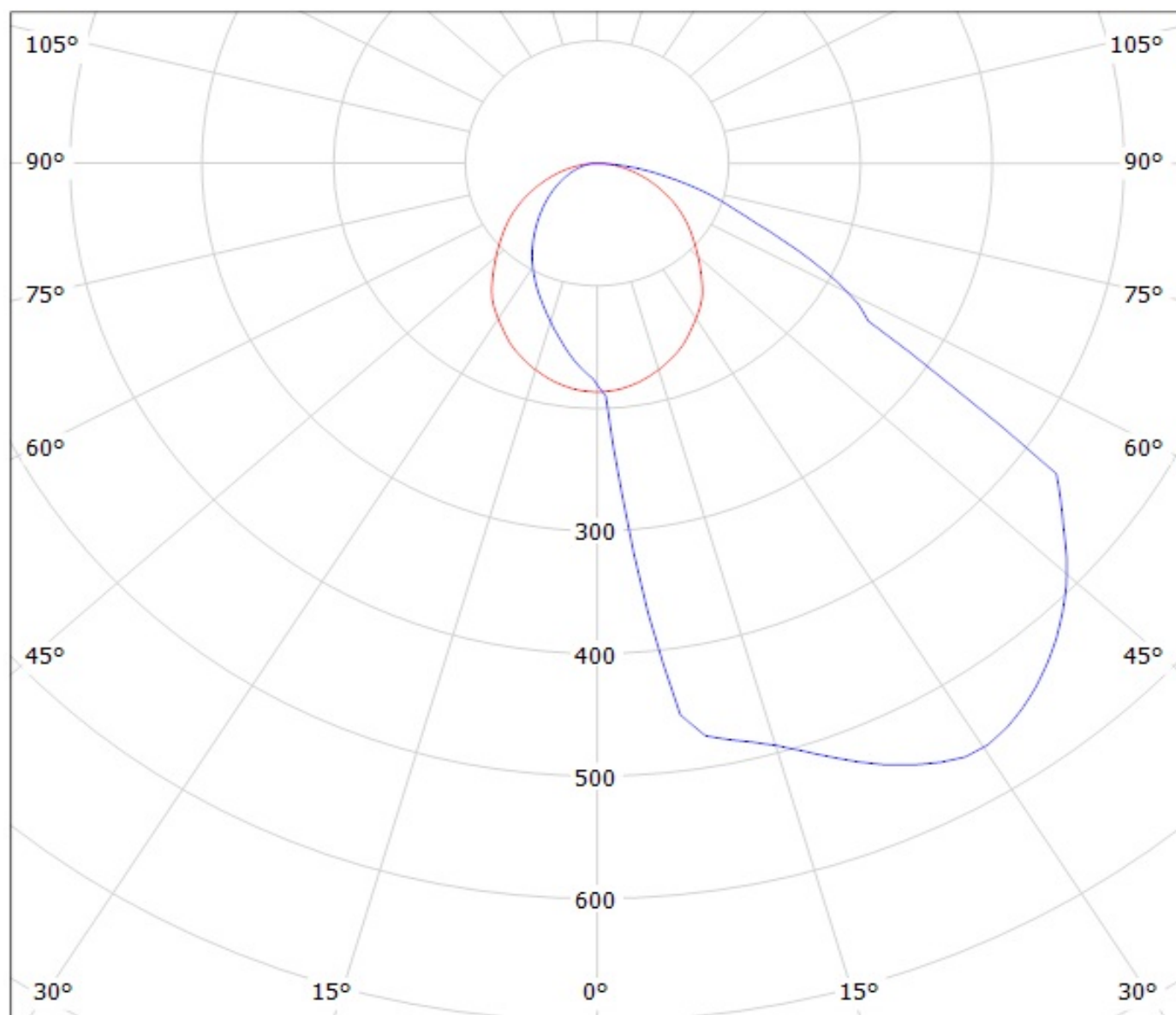


cd/klm

— C0 - C180

— C90 - C270

Luminaire: Ledil Oy CA12514\_RITA-A (XP-G) CA12514\_RITA-A (XP-G) Efficiency=86%  
Lamps: 1 x CREE XP-G (white)



cd/klm

— C0 - C180

— C90 - C270