

PLEASE CHECK WWW.MOLEX.COM FOR LATEST PART INFORMATION

Part Number: [55395-0619](#)
Status: **Active**
Description: 2.00mm IEEE 1394 Shielded I/O PCB Socket, Right Angle, Flat, SMT, Industrial Type, Lead-Free

Documents:

[3D Model](#) [Product Specification PS-54030-036 \(PDF\)](#)
[Drawing \(PDF\)](#) [RoHS Certificate of Compliance \(PDF\)](#)

General

Product Family	I/O Connectors
Series	55395
Application	Wire-to-Board
Comments	Bracket: Zinc; Nut: Steel
Component Type	Receptacle
Product Name	IEEE 1394
Type	N/A
UPC	822348287314

Physical

Circuits (Loaded)	6
Circuits (maximum)	6
Lock to Mating Part	Yes
Material - Plating Mating	Gold
Material - Plating Termination	Tin
Net Weight	9587.832/mg
Orientation	Right Angle
PCB Retention	Yes
Packaging Type	Tray
Panel Mount	Yes
Pitch - Mating Interface	2.00mm
Polarized to Mating Part	Yes
Surface Mount Compatible (SMC)	N/A
Temperature Range - Operating	-25°C to +85°C
Termination Interface: Style	Surface Mount
Wire Size AWG	N/A

Electrical

Current - Maximum per Contact	0.5A, 1.5A
Shielded	Yes
Voltage - Maximum	40V

Material Info

Reference - Drawing Numbers

Product Specification	PS-54030-036, RPS-55395-006
Sales Drawing	SD-55395-004

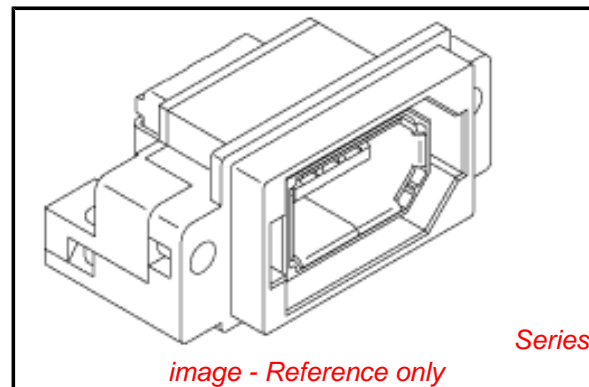


image - Reference only

EU RoHS

**ELV and RoHS
Compliant**
**REACH SVHC
Contains SVHC: No**
**Low-Halogen Status
Not Low-Halogen**

China RoHS



**Need more information on product
environmental compliance?**

Email productcompliance@molex.com
For a multiple part number RoHS Certificate of Compliance, [click here](#)

Please visit the [Contact Us](#) section for any non-product compliance questions.

Search Parts in this Series

[55395Series](#)

Mates With

[59233-7***](#)