



## Trip-Block ZM-PKZ2

Part no.

ZM-10-PKZ2

Article no.

040844



Powering Business Worldwide™

### Delivery programme

Product range			Accessories: PKZ2 System - PRODUCT DISCONTINUATION IN 2012
Accessories			Trip blocks with overload release
Max. motor rating			
AC-3			
220 V 230 V 240 V			
220 V 230 V	P	kW	2.2
380 V 400 V 415 V			
380 V 400 V	P	kW	4
440 V	P	kW	4
500 V	P	kW	5.5
660 V 690 V			
660 V 690 V	P	kW	7.5
Rated uninterrupted current	$I_u$	A	10
<b>Setting range</b>			
Overload releases	$I_r$	A	6 - 10
Short-circuit releases	$I_{rm}$	A	80 - 140

#### Notes

Single-phasing sensitivity to IEC/EN 60947-4-1

Suitable for the protection of EEx e motors

PTB Certificate No.: 3.53-388.299

Extension to ATEX applied for

Overload releases, adjustable

$$I_r = 0.6 - 1.0 \times I_u$$

Adjustable short-circuit release

$$I_{rm} = 8.5 - 14 \times I_u$$


Factory set to  $12 \times I_u$

#### Notes Service factor (SF)

Set value  $I_r$  on the current scale, depending on the load factor

Calculate motor power in this range according to the rated operational current. Stated values to NEC Table 430 - 150.

Approved rating data

Devices for world markets IEC  UL/CSA

#### Notes

When using the M-...-PKZ2 for short-circuit protection of motors with heavy-duty starting, the rated operating current e must be oversized by the following factors in the course of the project engineering:

CLASS	Factor
5	1.0
10	1.0
15	1.22
20	1.41
25	1.58
30	1.73
35	1.89
40	2.0

### Approvals

Product Standards  
UL File No.

UL 508; CSA-C22.2 No. 14; IEC60947-4-1; CE marking  
E36332

UL CCN  
CSA File No.  
CSA Class No.  
NA Certification  
Specially designed for NA

NLRV  
12528  
3211-05  
UL listed, CSA certified  
No

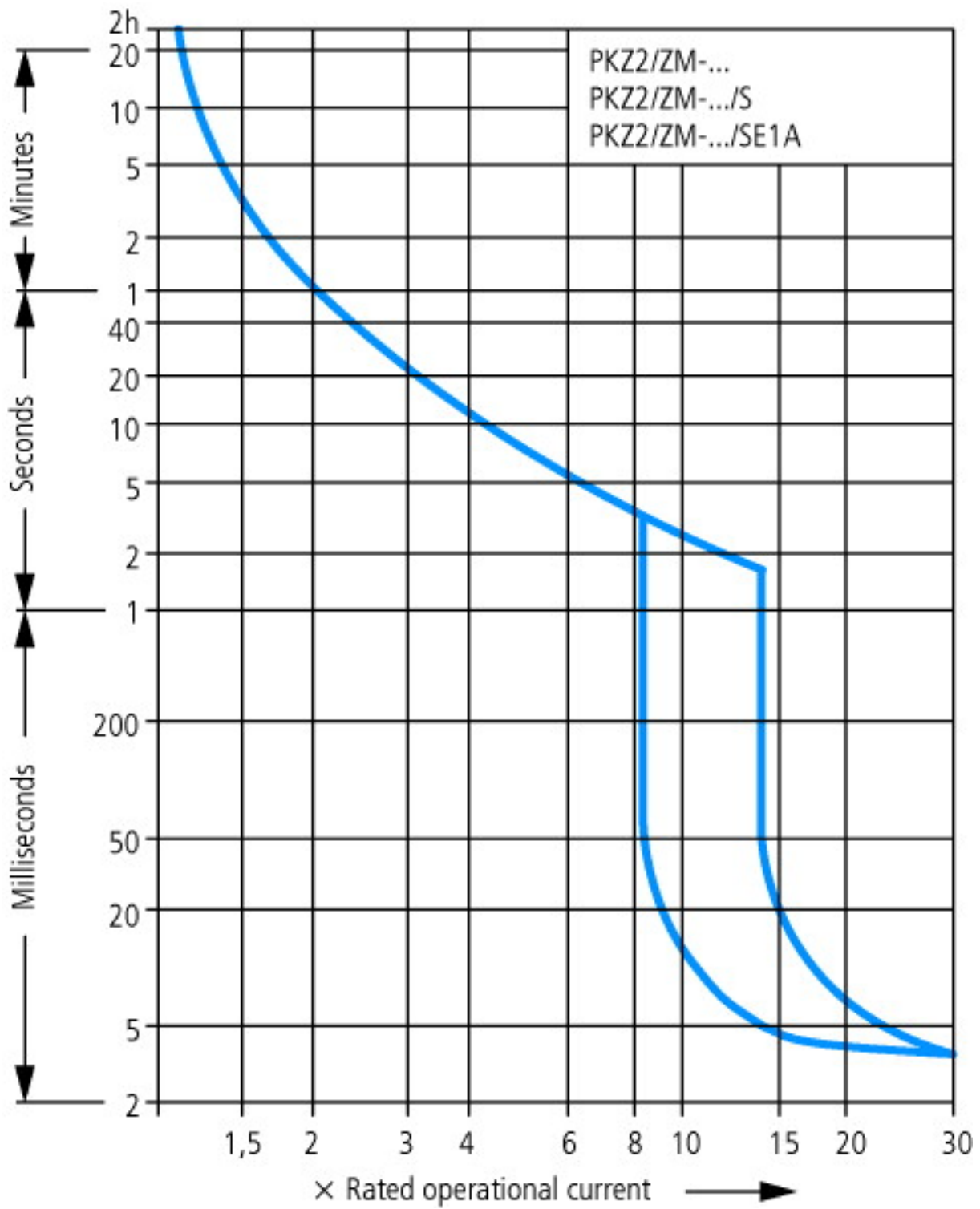
### ZM-..-PKZ2, ZMR-..-PKZ2 trip blocks for motor protection

Setting range of overload releases		$x I_U$	0.6 - 1
Short-circuit releases		$x I_U$	8.5 - 14
Phase-failure sensitivity			IEC/EN 60947-1-1, VDE 0660 Part 102

### Technical data ETIM 4.0

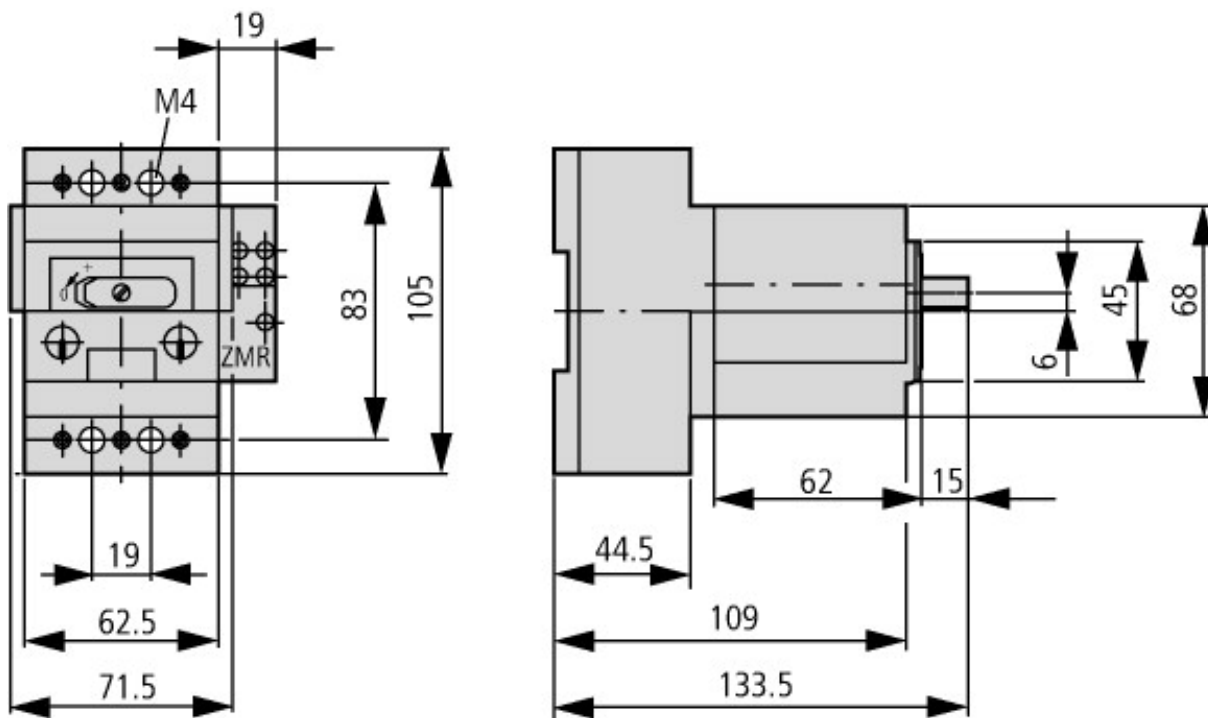
Final value of non-delayed short-circuit release setting range		A	140
Initial value of non-delayed short-circuit release setting range		A	80
Setting range of overload releases		A	10
Short-circuit release function			Non-delayed
Number of poles			3
Rated uninterrupted current $I_u$		A	10

### Characteristics



Motor-protective circuit-breaker (high-capacity) compact starter tripping characteristic

## Dimensions



PKZ2(Z)M-...

### Additional product information (links)

#### AWA1280-0876 Motor-protective circuit-breaker

[AWA1280-0876 Motor-protective circuit-breaker](#)

#### AWB1210-1485 PKZ2 motor-protective circuit-breakers, overload monitoring of EEx e motors

[AWB1210-1485 PKZ2 motor-protective circuit-breakers, overload monitoring of EEx e motors](#)

Motor starters and "Special Purpose Ratings" for the North American market

[http://www.moeller.net/binary/ver\\_techpapers/ver953en.pdf](http://www.moeller.net/binary/ver_techpapers/ver953en.pdf)

Busbar Component Adapters for modern Industrial control panels

[http://www.moeller.net/binary/ver\\_techpapers/ver960en.pdf](http://www.moeller.net/binary/ver_techpapers/ver960en.pdf)