

**Note:** All part numbers are RoHS Compliant.

**Circular Plastic Connectors, Series 2**

**CPC Connectors, Series 2 for Cable or Panel Mount**  
(Accepts Size 20 DM or DF Crimp, Snap-In Contacts)



Listed part numbers are for connectors only; **contacts must be ordered separately.**

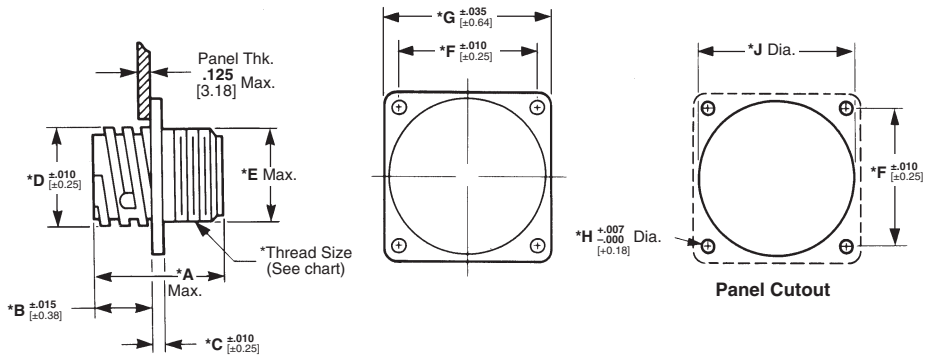
**Material**

**Housing**—Thermoplastic, 94V-0 rated, black

**Related Product Data**

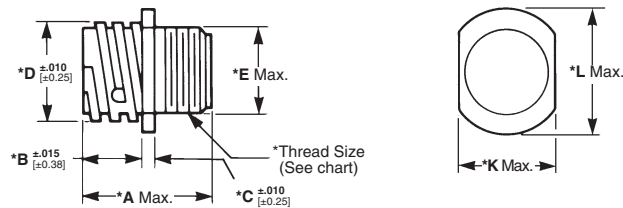
- Contacts**—Pages 29-30
- Contact Arrangement**—Page 31
- Component Dimensions**—Page 32\*
- Accessories**—Pages 38-42
- Performance Characteristics**—Page 6
- Application Tooling**—Pages 76-79
- Technical Documents**—Page 80

**Square Flange Receptacle**

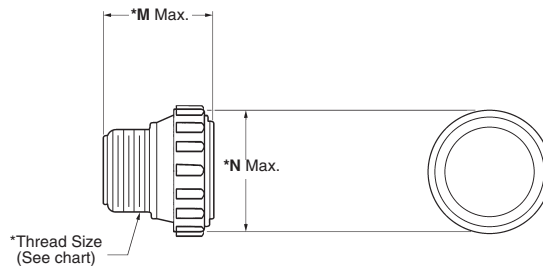


**\*Note:** See page 32 for callout dimensions

**Free-Hanging Receptacle**



**Plug**



**Standard Sex Connectors**

(Receptacles accept Size 20 DM or DF pin contacts, Plugs accept Size 20 DM or DF socket contacts)

| Arrangement | Square Flange Receptacle |                                    | Free-Hanging Receptacle | Plug     |
|-------------|--------------------------|------------------------------------|-------------------------|----------|
|             | With Mounting Holes      | With Threaded Inserts <sup>1</sup> |                         |          |
| 11-8        | 205841-1                 | 205841-3                           | 205841-2                | 205838-1 |
| 11-9        | 206486-1                 | 206852-8                           | 206486-2                | 206485-1 |
| 17-28       | 205840-3                 | 205840-4                           | 206152-1                | 205839-3 |
| 23-63       | 205843-1                 | —                                  | 205843-2                | 205842-1 |

<sup>1</sup>Four 4-40 threaded inserts per receptacle.

**Reverse Sex Connectors**

(Receptacles accept Size 20 DM or DF socket contacts, Plugs accept Size 20 DM or DF pin contacts)

| Arrangement | Square Flange Receptacle |                                    | Free-Hanging Receptacle | Plug     |
|-------------|--------------------------|------------------------------------|-------------------------|----------|
|             | With Mounting Holes      | With Threaded Inserts <sup>1</sup> |                         |          |
| 11-8        | 206433-1                 | 206433-3                           | 206433-2                | 206434-1 |
| 17-28       | 206038-1                 | 206038-4                           | 206038-2                | 206039-1 |
| 23-57       | 206438-1                 | —                                  | 206438-2                | 206437-1 |

<sup>1</sup>Four 4-40 threaded inserts per receptacle.

**Note:** For Standard and Reverse Sex Connectors the maximum wire insulation diameter is .068 [1.73].

CPC Series 2