

Models 56RT & 56RL Shown

**APPLICATION:**

With ammeters, wattmeters, and cross current compensation.

**FREQUENCY:**

50-400 Hz.

**INSULATION LEVEL:**

600 Volts, 10 kV BIL full wave.

Flexible leads are UL 1015, 105°C., CSA approved. #16 AWG, 24" long.

Non-standard length to be specified.

Terminals are brass studs No. 8-32 with one flatwasher, lockwasher and regular nut.

SFT case styles also available as SFL with leads.

Approximate weight 0.6 lbs.

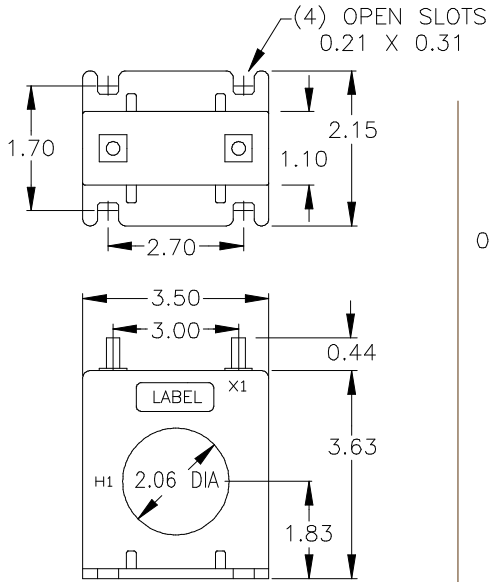
CATALOG NUMBER	CURRENT RATIO	ACCURACY AT 60 Hz	BURDEN VA at 60 Hz
56**–500	50:5	±3%	0.5
56**–750	75:5	±1%	0.5
56**–101	100:5	±1%	1.0
56**–151	150:5	±1%	2.5
56**–201	200:5	±1%	4.0
56**–251	250:5	±1%	6.0
56**–301	300:5	±1%	7.5
56**–401	400:5	±1%	10.0
56**–501	500:5	±1%	12.5
56**–601	600:5	±1%	15.0
56**–751	750:5	±1%	7.0
56**–801	800:5	±1%	8.0
56**–102	1000:5	±1%	10.0
56**–122	1200:5	±1%	12.5

\*\*Note: When ordering, prefix Cat No. with model designation required i.e. 56RL–101, 56RBL–251, etc.

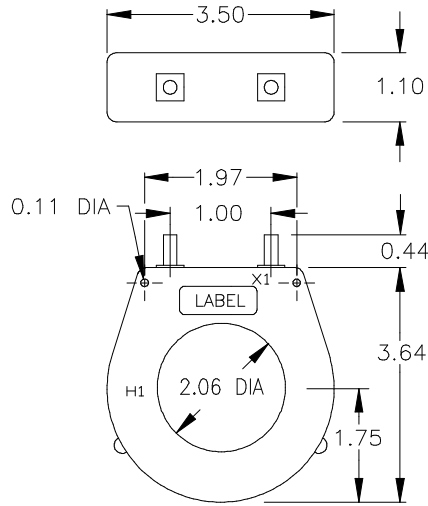
# Model 56

1

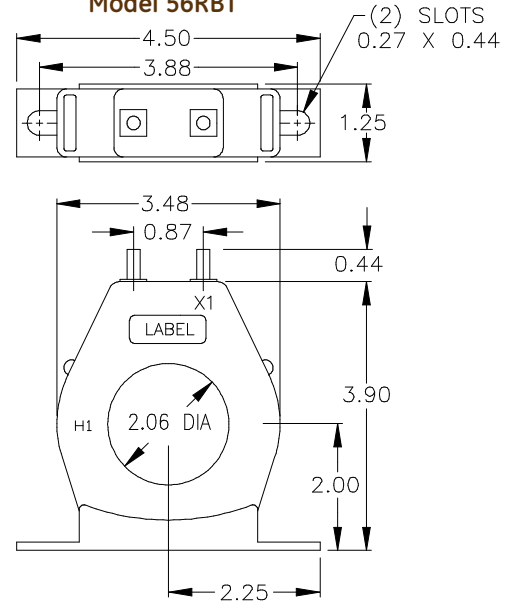
**Model 56SFT**



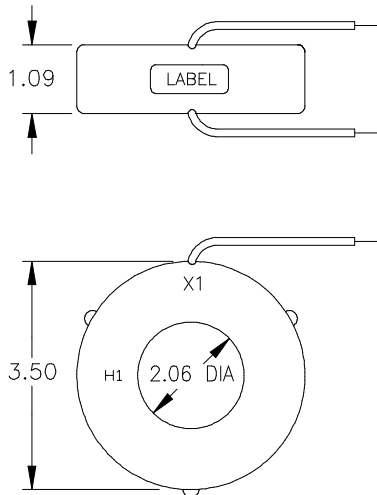
**Model 56RT**



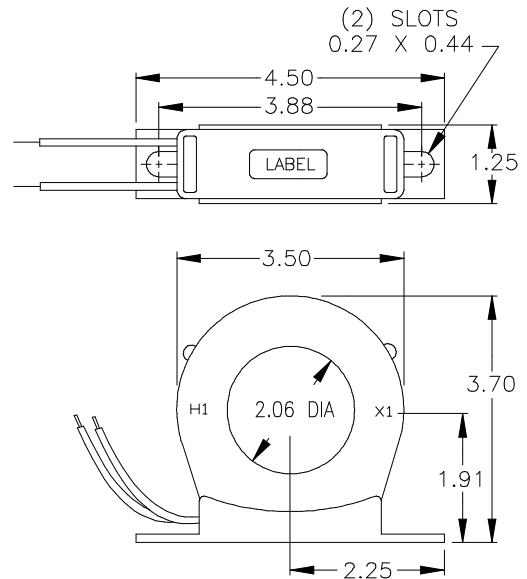
**Model 56RBT**



**Model 56RL**



**Model 56RBL**



**USA, Canada, Asia, Latin America**

Tel: +1-800-547-8629

Fax: +1-905-201-2455

e-mail: [sales.multilin@ge.com](mailto:sales.multilin@ge.com)

**Europe, Middle East, Africa**

Tel: +34-94-485-88-00

Fax: +34-94-485-88-45

e-mail: [gemultilin.euro@ge.com](mailto:gemultilin.euro@ge.com)