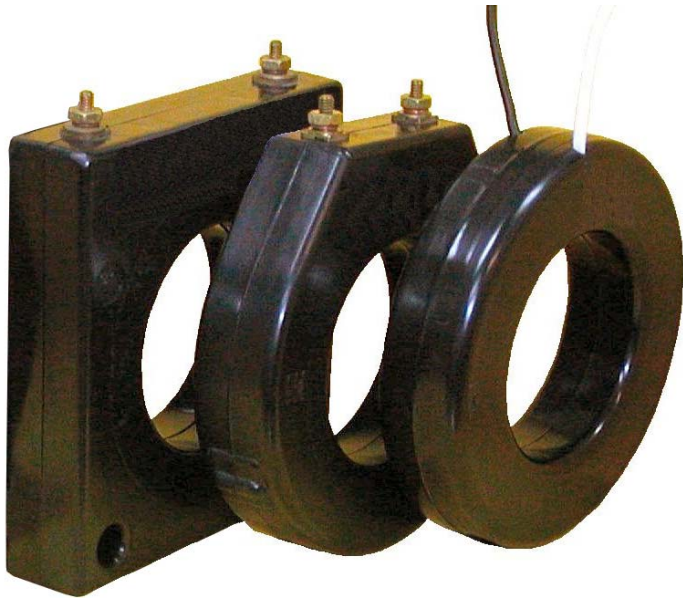




E93779



LR89403



Models 7SHT, 7RT and 7RL Shown

APPLICATION:

With ammeters, wattmeters, and cross current compensation.

FREQUENCY:

50-400 Hz.

INSULATION LEVEL:

600 Volts, 10 kV BIL full wave.

Flexible leads are UL 1015, 105°C., CSA approved. #16 AWG, 24" long.

Non-standard length to be specified.

Terminals are brass studs No. 8-32 with one flatwasher, lockwasher and regular nut.

SFT and SHT case styles also available as SFL and SHL with leads.

Mounting bracket kit 0221B00182 when required for Model 7SHT.

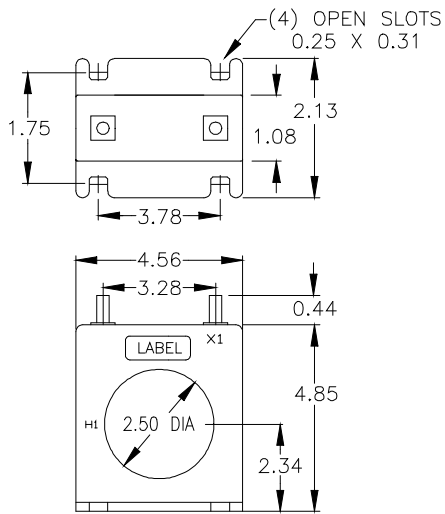
Approximate weight 1.5 lbs.

CATALOG NUMBER	CURRENT RATIO	ACCURACY AT 60 Hz	BURDEN VA at 60 Hz
7**-101	100:5	±2%	2.5
7**-151	150:5	±1%	5.0
7**-201	200:5	±1%	5.0
7**-251	250:5	±1%	5.0
7**-301	300:5	±1%	12.5
7**-401	400:5	±1%	15.0
7**-501	500:5	±1%	25.0
7**-601	600:5	±1%	30.0
7**-751	750:5	±1%	30.0
7**-801	800:5	±1%	35.0
7**-102	1000:5	±1%	35.0
7**-122	1200:5	±1%	35.0
7**-152	1500:5	±1%	40.0
7**-162	1600:5	±1%	45.0

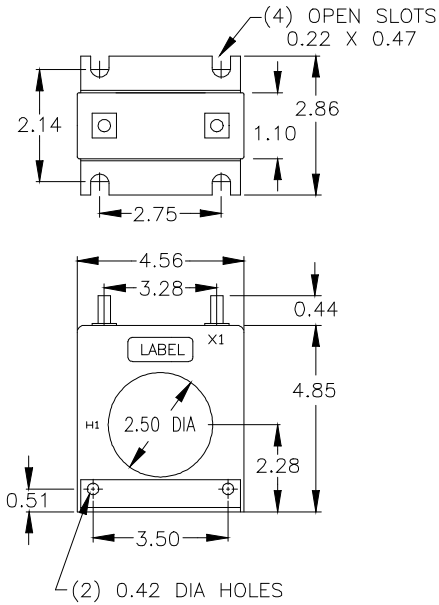
**Note: When ordering, prefix Cat No. with model designation required i.e. 7SFT-501, 76RL-501, etc.

Model 7

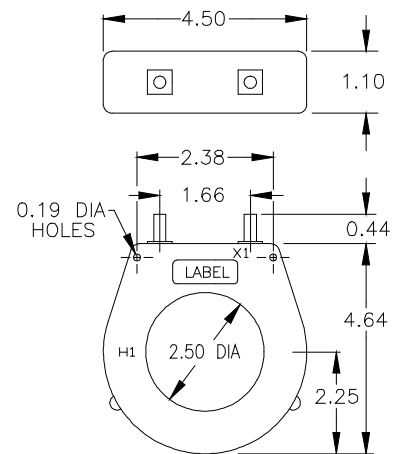
Model 7SFT



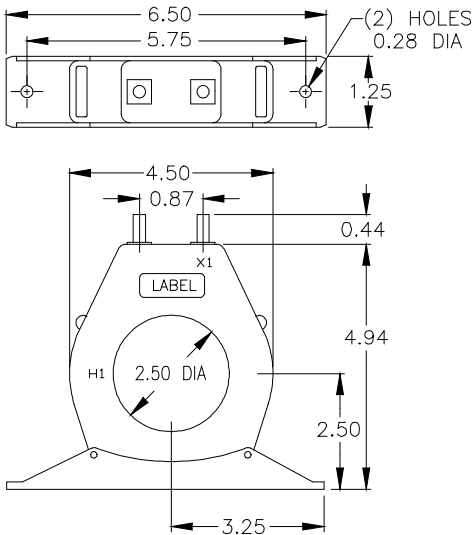
Model 7SHT



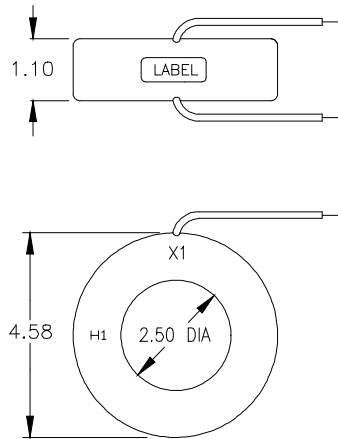
Model 7RT



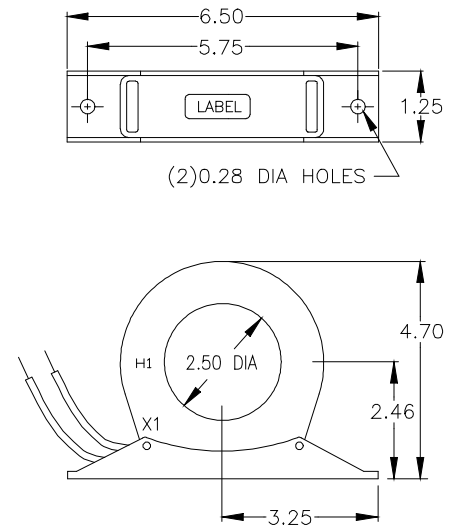
Model 7RBT



Model 7RL



Model 7RBL



USA, Canada, Asia, Latin America

Tel: +1-800-547-8629

Fax: +1-905-201-2455

e-mail: sales.multilin@ge.com

Europe, Middle East, Africa

Tel: +34-94-485-88-00

Fax: +34-94-485-88-45

e-mail: gemultilin.euro@ge.com

Please refer to our website www.GEMultilin.com for more detailed contact information

CS00A40442 Rev. 1 12/09