

# OS50T product information sheet



The OS50T is a low-profile and easy-to-use small tilt mount.

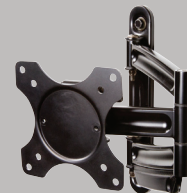
## Product Benefits\*

- Low 2.1" (52mm) mounting profile
- Equipped with patented gravity tilt, providing perfect tension no matter where you place your TV
- Lift n' Lock™ allows you to easily attach your TV to the mount
- Adequate spacing between TV and wall allows for cooling
- Provides ample room for cables and wires between TV and wall
- Durable powder coat finish
- Simple to install and use
- Ships fully assembled
- Includes adapters for greater VESA compatibility
- Includes complete hardware kit

## Product Specifications\*

**Fits most:** 13–37" TVs  
**Supports up to:** 50 lbs (22.7 kg)  
**Tilt:** Up to +18°  
**Mounting profile:** 2.1" (52mm)  
**VESA compliance:** 75x75 to 200x200  
**Mounting:** Single-stud or solid wall  
**UL listed:** Yes  
**Warranty:** 5 years  
**Color:** Black

## Series



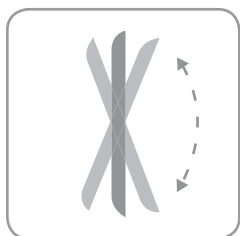
OS35FM



OS50T



OS50F



The OS50T has gravity tilt built in, allowing for perfect TV placement with minimal effort.

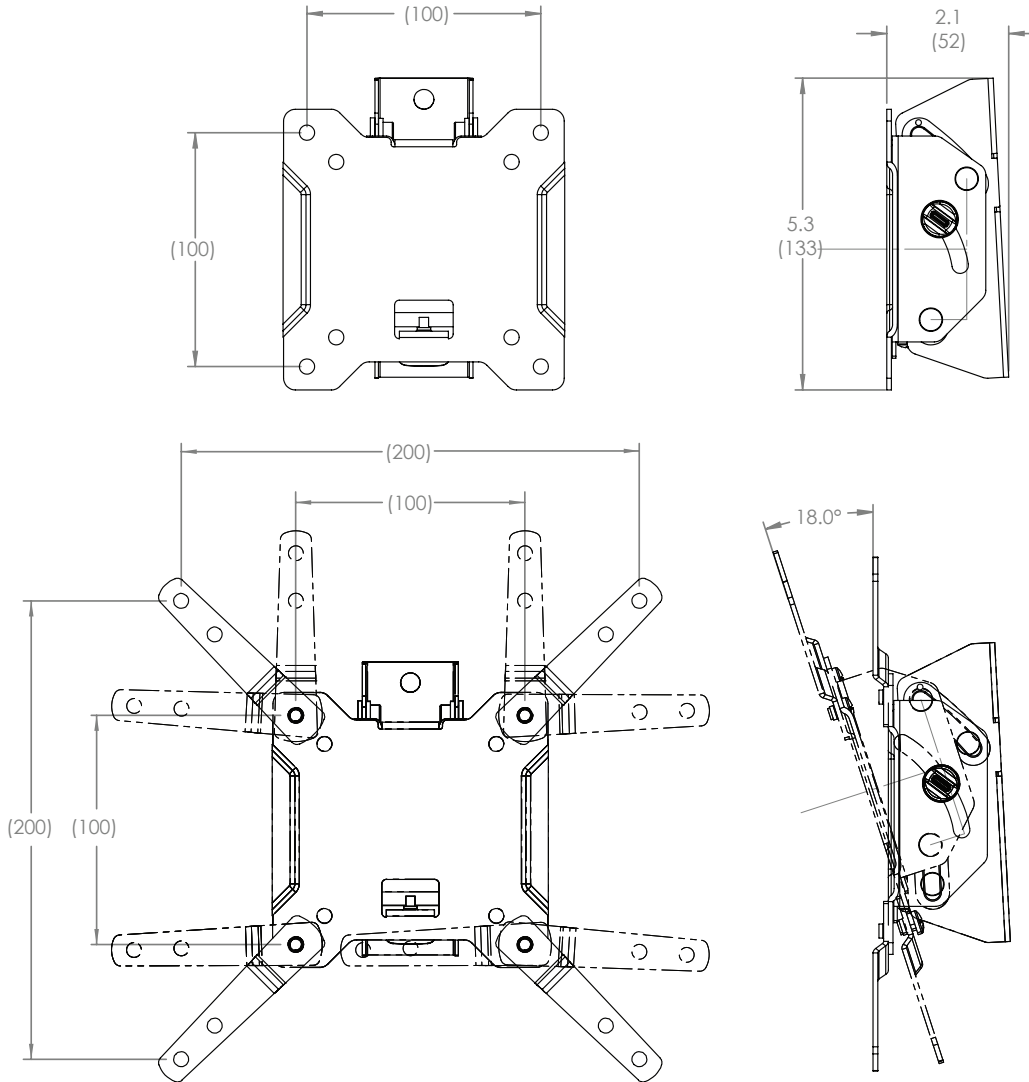
\*Subject to change

[800.MOUNT.IT](http://800.MOUNT.IT) (800.668.6848)



01022013

# OS50T technical data sheet



inches (mm)

	Packaging UPC	MC UPC
Americas	698833021943	10698833021940
International	698833021943	10698833021940

	Dimensions WxDxH Inches (mm)	Wt lbs (kg)	Qty
Box	7.8 x 7 x 2.9 (197x177x73)	2 (0.9)	NA
MC	11.8 x 7.7 x 8.9 (300x195x225)	8.4 (3.8)	4

Box Contents	Qty
Wall plate	1
Monitor plate	1
Monitor plate screw	1
Tilt tension knob	1
V200A adapter	4

Box Contents	Qty
Complete TV hardware kit	1
Complete wall hardware kit	1
Complete hardware kit	1
Instruction Manual	1

