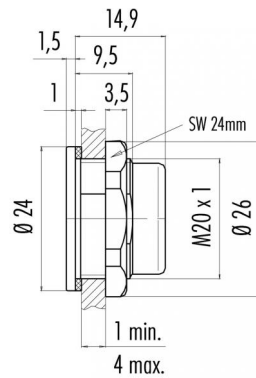


Product Area	Adapter for sockets Snap-in connectors IP 67	serie 720	Pole	-
			Article number	08 2433 000 001

illustration



scale drawing



You can find the item description and assembly instruction on the next page.

Technical data

Common values

Connector Design	Adapter
Termination	-
Wire gauge (mm)	-
Wire gauge (AWG)	-
Cable outlet	-
Upper temperature	+85 °C
Lower temperature	-25 °C

Material

Material of contact	-
Contact plating	-
Material of contact body	-
Material of housing	-

Cable data

Electrical values

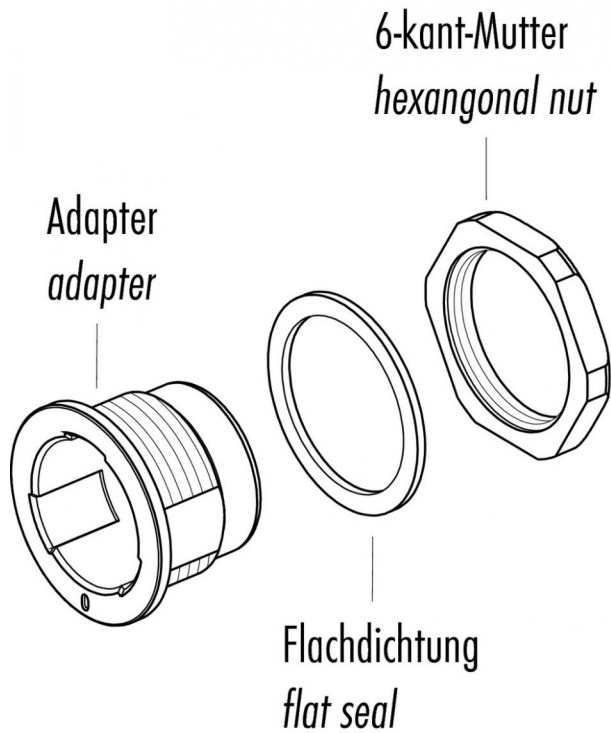
Rated current (40°C)	-
Volume resistivity	-
EMV compliance	-
Degree of protection	IP 67

Adapter for sockets

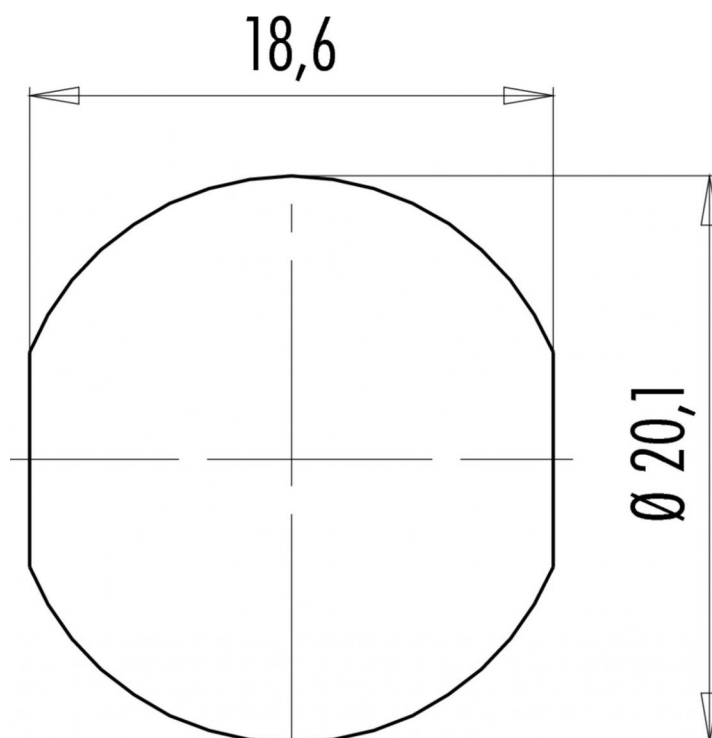


Product Area	Adapter for sockets Snap-in connectors IP 67	serie 720	Pole Article number	- 08 2433 000 001
--------------	---	-----------	---------------------	----------------------

Item description



Installation instructions / Mounting cutout



Product  
Area

Adapter for sockets  
Snap-in connectors IP 67

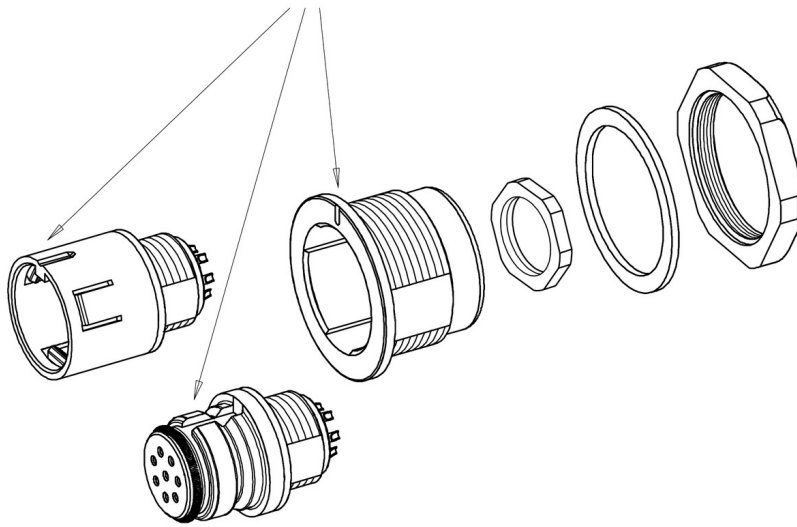
serie 720

Pole  
Article number

-  
08 2433 000 001

Installation instructions / Mounting cutout

Die Markierung des Adapters muss mit der Kodiernase des Einsatzes übereinstimmen  
*The marking of the adapter must conform with the coding nut of the insert*



Einsätze müssen separat bestellt werden  
*Inserts have to be ordered separately*