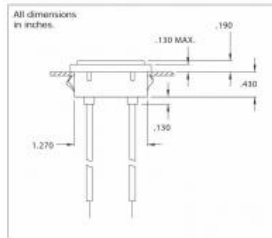




## Products

### Neon & Incandescent Indicators

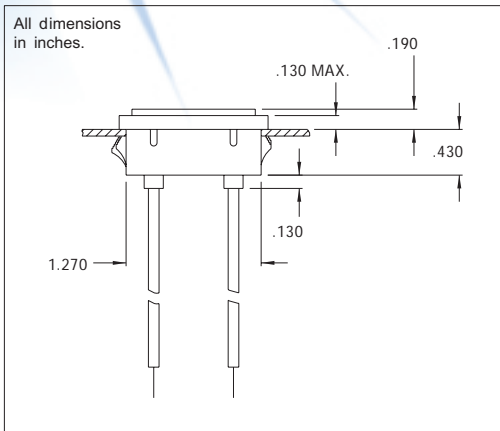
CML IT offers panel mount indicators manufactured with LED, Neon or Incandescent light sources. These indicators are available in a number of different lens and termination styles, with voltages of 2V ~ 250V available off-the-shelf.



**Part Number:** 2330D1  
**Serial Number:** 2330  
**Light Source:** Neon  
**Color:** Red  
**Voltage (V):** 125VAC  
**Mounting Hole (inch):** 1.276 x .395  
**Mounting Hole (metric):** 32.41 x 10.03  
**Termination:** 4.5" 22 AWG wire  
**Bezel color:** Stainless Steel  
**Housing color:** White  
**UL file:** E20325  
**CSA file:** LR13346  
**RoHS Status:** Yes

**2330D and 2332D Series Non-Relampable Neon Indicator Light**

**DESCRIPTION AND FEATURES**



Mounting: Will snap-fit into .032/.100 thick panels. Use speednut for other panel thicknesses. Available with speednut SN1963. Mounting hole pattern on page SP3.

Wire Leads: No.22 AWG (105°C), 4.40/4.80 long, stripped .430/.570

Lens: Polycarbonate

Anode(+): Red lead

Bezel: Polished stainless steel. For black finish add "X" after the series letter(s).

| Lens Color | Neon                      |
|------------|---------------------------|
|            | Model No.<br>(105-125VAC) |
| Red        | 2330D1                    |
| Amber      | 2330D3                    |
| White      | 2330D4                    |
| Green      | 2332D5*                   |
| Lamp used  | C2A+Resistor              |

\*Incorporates G2B lamp and resistor  
 Underwriters Laboratories (UL) File No. E20325  
 Canadian Standards Association (CSA) File No. LR13346