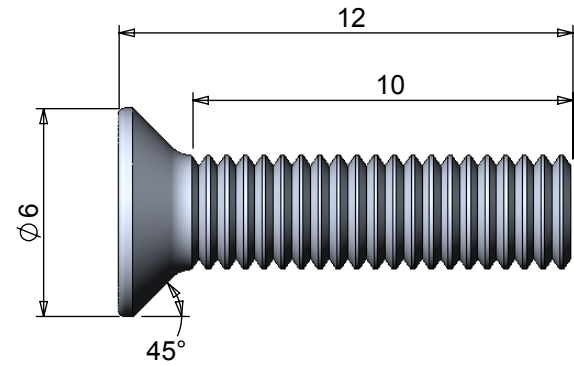


IP66 Seal:
 Neoprene closed cell sponge specification-
 ASTM D1056.68-05-96A 1/2 2A2
 Hardness shore: 50
 Density: 96Kg.m3
 Compression deflection 25: 48 Kpa
 Compression set: <35%
 Tensile strength: 690 Kpa
 Elongation: 125%
 Water absorption: <5% max
 Colour: Black
 Adhesive backing: 05-96ASAB
 Material Thickness: 3mm
Service Temperature
 Constant High / low: +93°C / - 40°C
 Intermittent High / low: +121°C / -57°C

For maximum seal efficiency
 the seal is designed for a once only application

| IP66 Neoprene Closed Cell Sponge Seal & Screw Kit | | | | |
|---|----------------------|------------------|-----------------|-----------|
| Manufacturer Part No | Suits Enclosure Type | Dimension Length | Dimension Width | Screw Qty |
| 466-0010 | A Box | 90.0 mm | 35.0 mm | 4 |
| 466-0020 | B Box | 114.5 mm | 65.0 mm | 4 |
| 466-0030 | C Box | 114.5 mm | 89.0 mm | 4 |
| 466-0040 | D Box | 115.0 mm | 64.0 mm | 4 |
| 466-0050 | E/F Box | 173.5 mm | 122.6 mm | 6 |
| 466-0070 | G/H Box | 223.0 mm | 147.0 mm | 6 |
| 466-0090 | J Box | 274.0 mm | 174.0 mm | 6 |
| 466-0100 | K Box | 140.0 mm | 102.0 mm | 4 |
| 466-0110 | L Box | 164.0 mm | 126.0 mm | 6 |
| 466-0120 | M Box | 120.0 mm | 100.0 mm | 4 |
| 466-0130 | N Box | 250.0 mm | 250.0 mm | 8 |
| 466-0140 | P Box | 80.0 mm | 55.0 mm | 4 |
| 466-0150 | Q Box | 60.0 mm | 55.0 mm | 4 |



Plain Standard Screw:
Thread: M3.5 x 0.6 x 12mm
Head detail: Recessed Pozi drive, Countersink head
Material: SUS304-2B. uk standard 304S31
Finish: Stainless steel