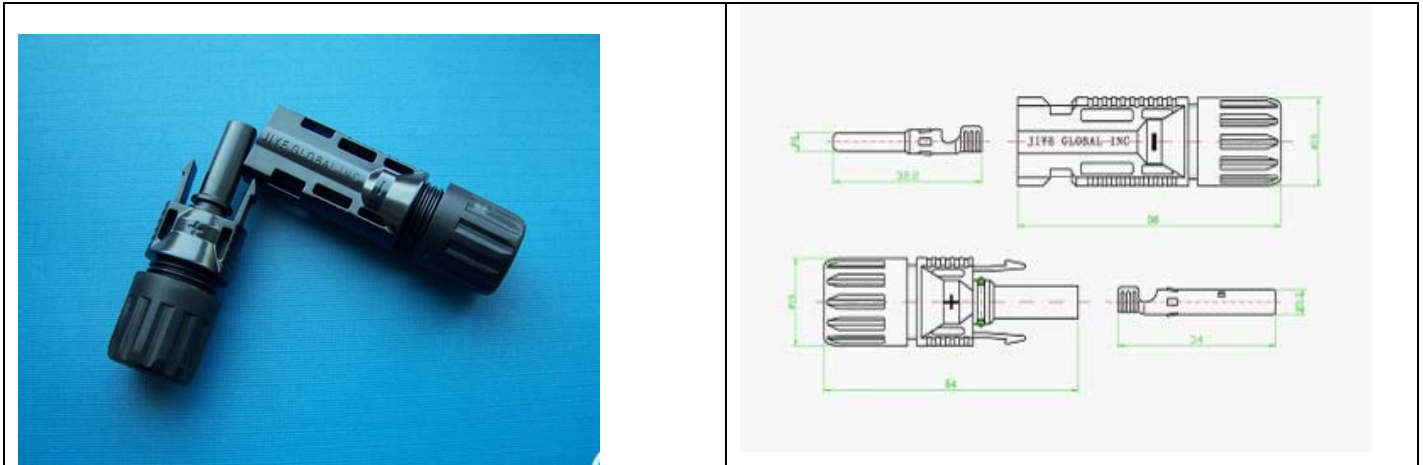




Descriptions

Photovoltaic Connectivity connectors meeting TUV standard.

Technical Data



PV-Cable couple

Rated voltage	1000V DC
Rated current	30 A
Contact resistance:	0.24-0.25 mΩ
Contact material	copper, silver plated
Insulation material	PC/PA
Locking system	snap-in
Safety class	II
Degree of Protection(unmated/mated)	IP2X/IP67
Touch protected when unmated	
Operating temperature	- 40°C ~ +85°C
Flame class	V0
Standard	DIN V VDE V 0126-3
Authentication	TUV
Crimping range	PV-JY4-1 2.5/4mm ² PV-JY4-2 4/6mm ²

Stand against UV with long time stability