

SMALL, TYPE 1

INDUSTRY STANDARDS

 UL 50, 50E Listed; Type 1; File No. E27567
 cUL Listed per CSA C22.2 No 40; Type 1; File No. E27567

 NEMA/EEMAC Type 1
 CSA, File 42184: Type 1
 IEC 60529, IP30

Standard Product

Catalog Number	AxBxC in./mm	Panel	Perforated Panel	Panel Size D x E in./mm
A6N64	6.00 x 6.00 x 4.00 152 x 152 x 102	A6N6P	A6N6PP	4.25 x 4.25 108 x 108
A8N64	8.00 x 6.00 x 4.00 203 x 152 x 102	A8N6P	A8N6PP	6.25 x 4.25 159 x 108
A8N84	8.00 x 8.00 x 4.00 203 x 203 x 102	A8N8P	A8N8PP	6.25 x 6.25 159 x 159
A10N84	10.00 x 8.00 x 4.00 254 x 203 x 102	A10N8P	A10N8PP	8.25 x 6.25 210 x 159
A10N104	10.00 x 10.00 x 4.00 254 x 254 x 102	A10N10P	A10N10PP	8.25 x 8.25 210 x 210
A12N104	12.00 x 10.00 x 4.00 305 x 254 x 102	A12N10P	A12N10PP	10.25 x 8.25 260 x 210
A12N124	12.00 x 12.00 x 4.00 305 x 305 x 102	A12N12P	A12N12PP	10.25 x 10.25 260 x 260
A14N124	14.00 x 12.00 x 4.00 356 x 305 x 102	A14N12P	A14N12PP	12.25 x 10.25 311 x 260
A8N66	8.00 x 6.00 x 6.00 203 x 152 x 152	A8N6P	A8N6PP	6.25 x 4.25 159 x 108
A8N86	8.00 x 8.00 x 6.00 203 x 203 x 152	A8N8P	A8N8PP	6.25 x 6.25 159 x 159
A10N86	10.00 x 8.00 x 6.00 254 x 203 x 152	A10N8P	A10N8PP	8.25 x 6.25 210 x 159
A10N106	10.00 x 10.00 x 6.00 254 x 254 x 152	A10N10P	A10N10PP	8.25 x 8.25 210 x 210
A12N106	12.00 x 10.00 x 6.00 305 x 254 x 152	A12N10P	A12N10PP	10.25 x 8.25 260 x 210
A12N126	12.00 x 12.00 x 6.00 305 x 305 x 152	A12N12P	A12N12PP	10.25 x 10.25 260 x 260
A14N126	14.00 x 12.00 x 6.00 356 x 305 x 152	A14N12P	A14N12PP	12.25 x 10.25 311 x 260
A16N126	16.00 x 12.00 x 6.00 406 x 305 x 152	A16N12P	A16N12PP	14.25 x 10.25 362 x 260
A20N126	20.00 x 12.00 x 6.00 508 x 305 x 152	A20N12P	A20N12PP	18.25 x 10.25 464 x 260
A12N128	12.00 x 12.00 x 8.00 305 x 305 x 203	A12N12P	A12N12PP	10.25 x 10.25 260 x 260
A14N128	14.00 x 12.00 x 8.00 356 x 305 x 203	A14N12P	A14N12PP	12.25 x 10.25 311 x 260

Purchase panels separately.

APPLICATION

These enclosures have a size range of 6 x 6 x 4-in. to 14 x 12 x 8-in. and meet basic functionality requirements for applications that do not require oil- or dust-tight enclosures.

FEATURES

- Flush slotted latch operated with a screwdriver; optional latches available
- Weldnuts provided for mounting optional panels
- Butt hinges
- Mounting holes on back of enclosure

SPECIFICATIONS

- 16 gauge steel

FINISH

ANSI 61 gray polyester powder paint finish inside and out over pretreated surfaces. Optional solid panels are white and optional perforated panels are gray.

ACCESSORIES

See also Accessories.

T-Handle Latch and Keyed Cylinder Lock Kits

Grounding Device

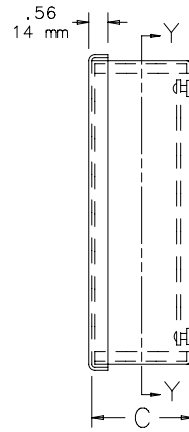
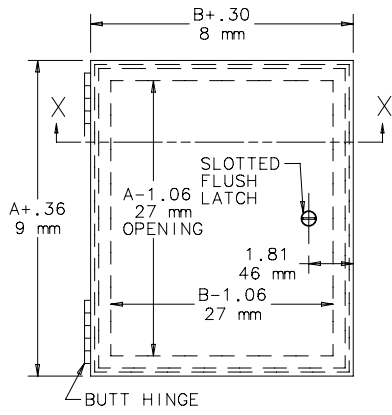
Panels for Type 1 Enclosures and Small Type 3R Enclosures

T-Handle Latch and Keyed Cylinder Lock Kits

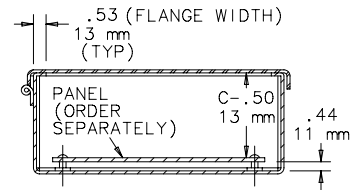
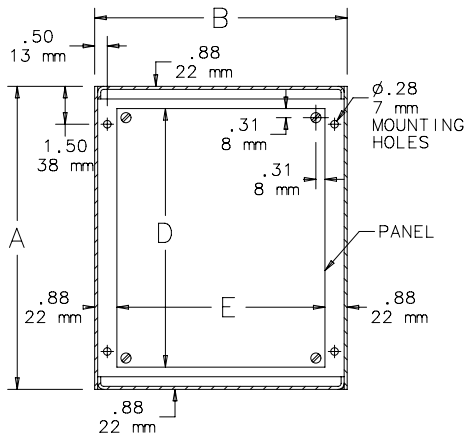
Touch-Up Paint

Steel and Stainless Steel Window Kits

BULLETIN: A1SM



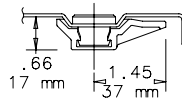
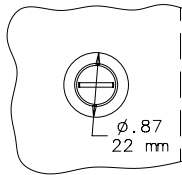
NOTE: 1. Panels are 14 gauge steel.
2. Panel screws have #10-32 threads.



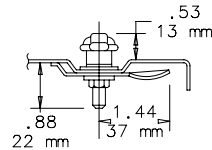
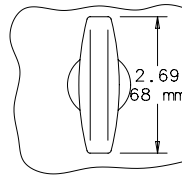
SECTION X-X

SECTION Y-Y

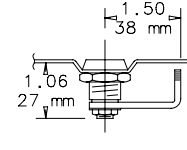
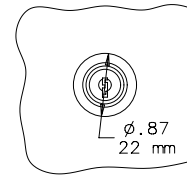
Optional Latches



Standard Slotted
Flush Latch



T Handle Latch Kit
AL7A



Cylinder Lock Kit
AL12AR
C2572-C