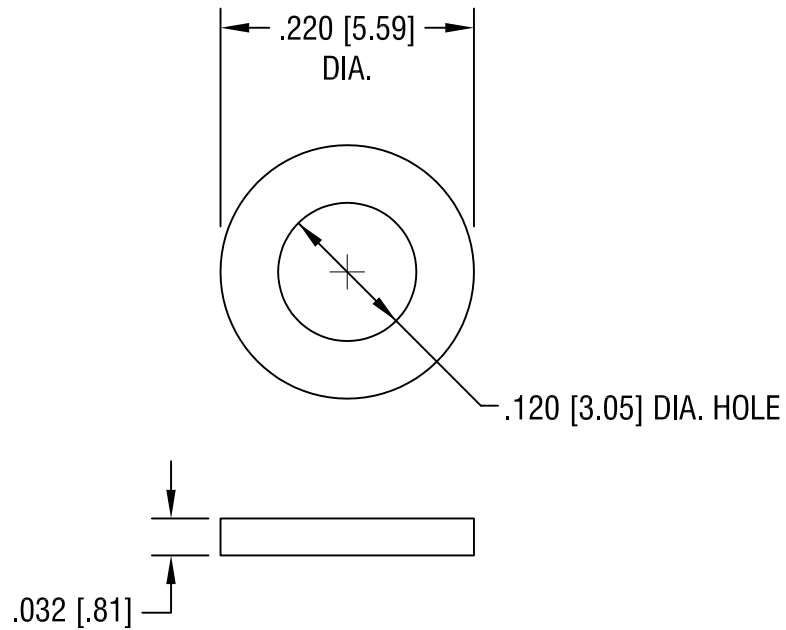


THIS DOCUMENT IS THE PROPERTY OF
KEYSTONE ELECTRONICS CORP. AND
SHALL NOT BE REPRODUCED, DISTRIBUTED
OR USED AS A BASIS FOR MANUFACTURE
WITHOUT PRIOR WRITTEN PERMISSION
FROM KEYSTONE ELECTRONICS CORP.



NOTE:

1. FINISH: ZINC PLATE, TRIVALENT AND YELLOW DIE.

KEYSTONE ELECTRONICS CORP.			
ASTORIA, N.Y. 11105-2017			
PART NAME		FLATWASHER	
MATERIAL		.032 [0.81] TH'K STEEL	
FINISH		DRN BY	DATE
AS NOTED		BOONE	10.21.92
		APP'D	SCALE
			6X
TOLERANCES	INCH [MM]	CODE	DWG NO.
DECIMAL	$\pm .005$ [± 0.15]	C/M	7230-1
ANGULAR	$\pm 1^\circ$		
UNLESS OTHERWISE SPECIFIED			

5.9.05	CHANGE AS PER ECN 05-022	A	
DATE	DESCRIPTION	REV.	