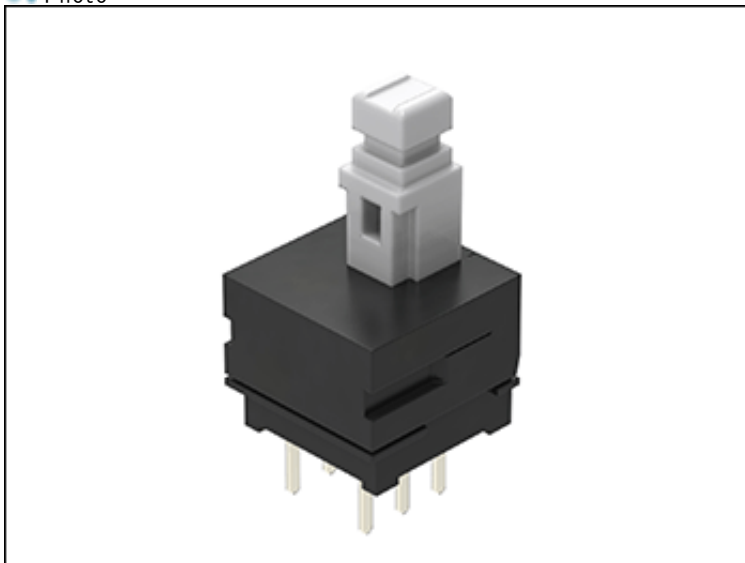


1.5mm-travel Vertical Type SPPH1 Series

Detail

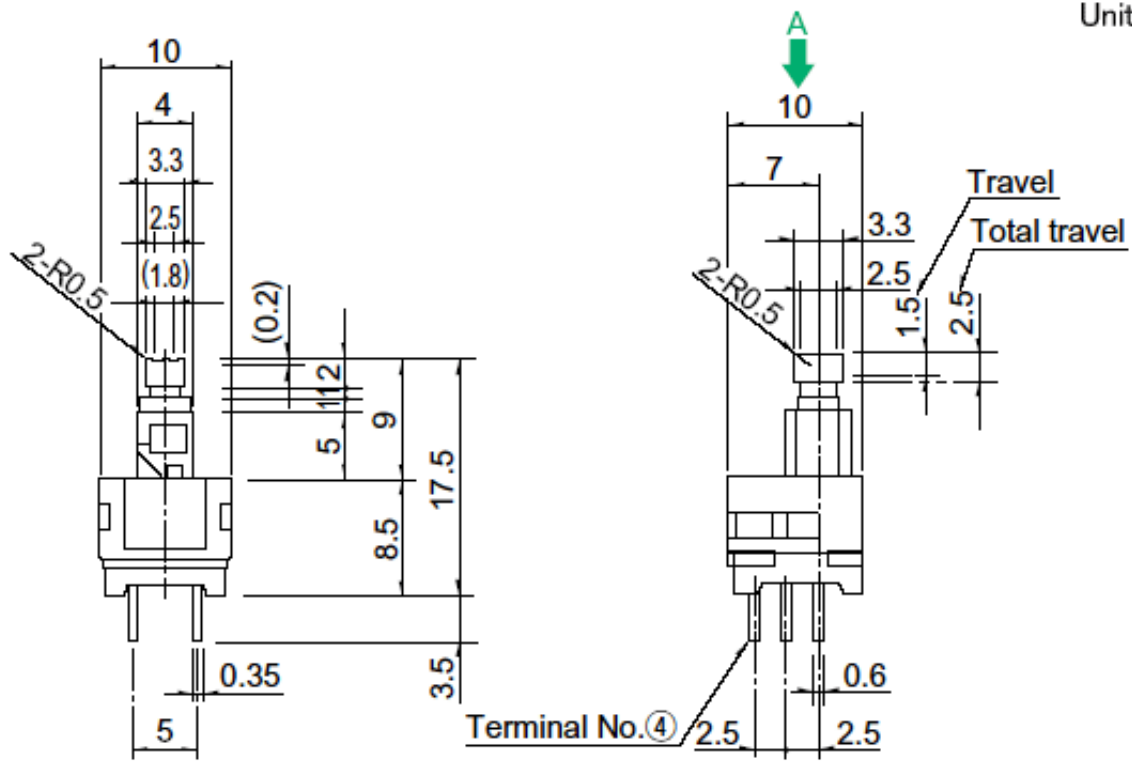
Part number		SPPH110300	
Changeover timing		Non shorting	
Travel		1.5mm	
Total travel		2.5mm	
Operating force		2(+1, -0.7)N	
Mounting method		PC board	
Poles		2	
Knob style		Standard	
Operation		Momentary	
Terminal type		Straight	
Operating temperature range		-10°C to +60°C	
Rating (max.)/(min.) (Resistive load)		0.1A 30V DC/50μA 3V DC	
Electrical performance	Contact resistance (Initial performance/After lifetime)		20mΩ max./40mΩ max.
	Insulation resistance		100MΩ min. 500V DC
	Voltage proof		500V AC for 1 minute
Mechanical performance	Terminal strength		5N for 1 minute
	Actuator strength	Operating direction	50N
Durability	Operating life without load		10,000 cycles 40mΩ max.
	Operating life with load (at max. rated load)		10,000 cycles 40mΩ max.
Environmental performance	Cold		-20±2°C for 96h
	Dry heat		85±2°C for 96h
	Damp heat		40±2°C, 90 to 95%RH for 96h
Minimum order unit (pcs.)	Japan		100
	Export		4,000
3D CAD (STEP)			
Certificate of Compliance to RoHS regulations			

Photo

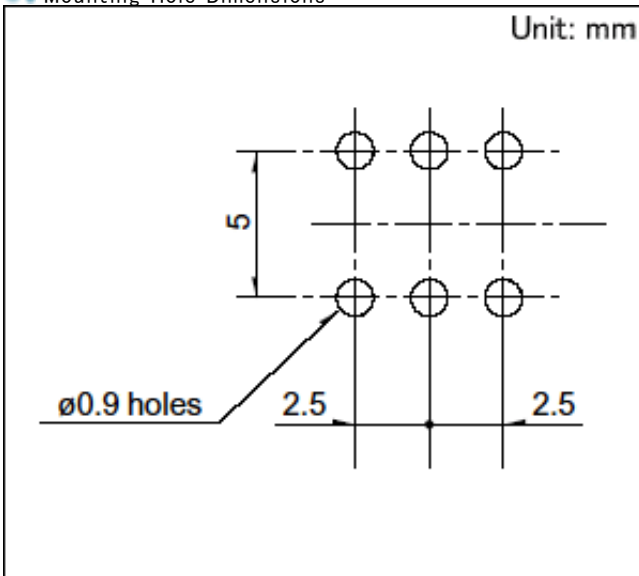


Dimensions

Unit: mm

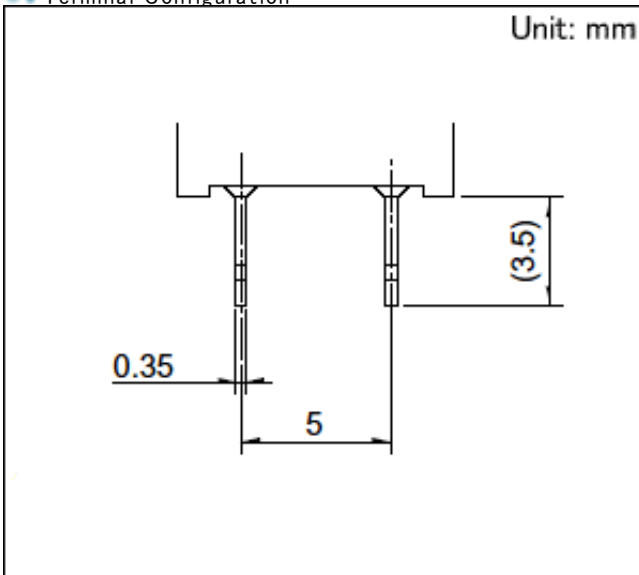


● Mounting Hole Dimensions

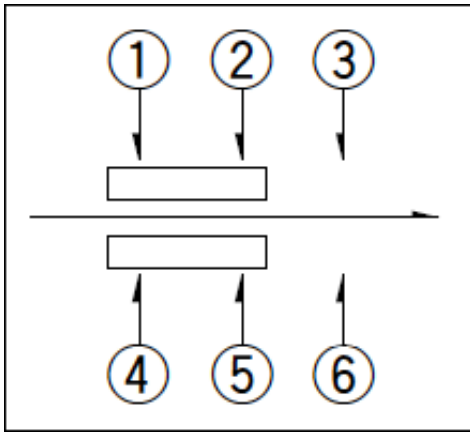


Viewed from direction A in the dimensions.

● Terminal Configuration



● Circuit Diagram



●● Packing Specifications

Bulk

Number of packages (pcs.)	1 case / Japan	800
	1 case / export packing	4,000
Export package measurements (mm)		400 × 270 × 290

●● Soldering Conditions

Reference for Dip Soldering

Items	Preheating temperature	-
	Preheating time	-
Dip soldering	Soldering temperature	260±5°C
	Duration of immersion	10±1s

Reference for Hand Soldering

Soldering temperature	350±5°C
Soldering time	3+1/0s

>> NOTE

Notes are common to this series/models.

1. This site catalog shows only outline specifications. When using the products, please obtain formal specifications for supply.
2. Please place purchase orders per minimum order unit (integer).
3. Products other than those listed in the above chart are also available. Please contact us for details.
4. This products can be used in vehicles.
Although these products are designed to perform over a wide operating temperature range, please ensure that you receive and read the formal delivery specifications before use.



Inquiries about Products

For more information please contact: Products Information Center.

1-7, Yukigaya-otsukamachi, Ota-ku, Tokyo, 145-8501, Japan

Phone: +81 (3) 5499-8154