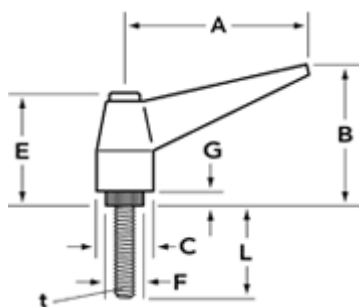




Clamping Handles



Description

PART TYPE	Plastic Clamping Handle
HANDLE LENGTH	1.69 inch (43 mm)
STUD OR INSERT	Zinc Plated Alloy Steel Stud
THREAD TYPE	English

Part Dimensions

Part Number	A in	B in	C in	D in	E in	F in	G in	L in	t Thread
05AR17S-252010	1.69	1.26	0.66	-	1.00	0.46	0.19	1.00	1/4-20