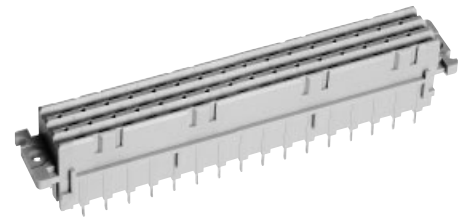


Number of contacts

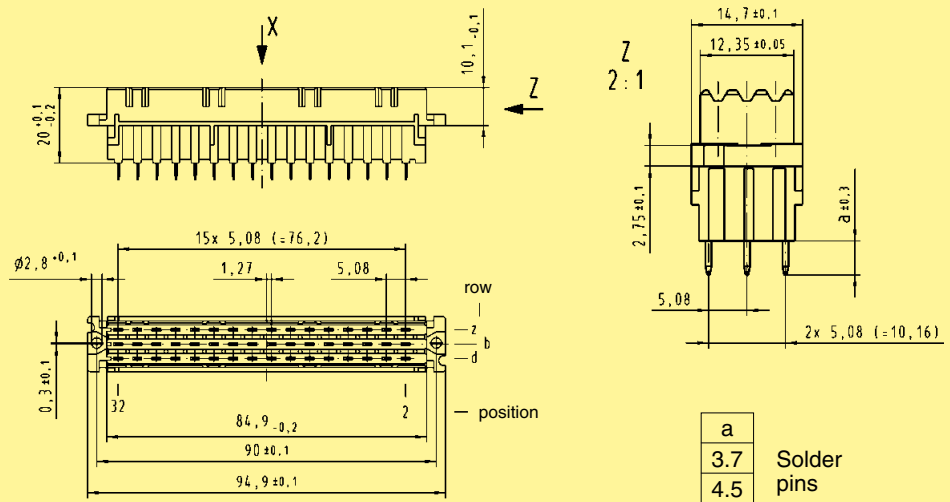
# 48, 32



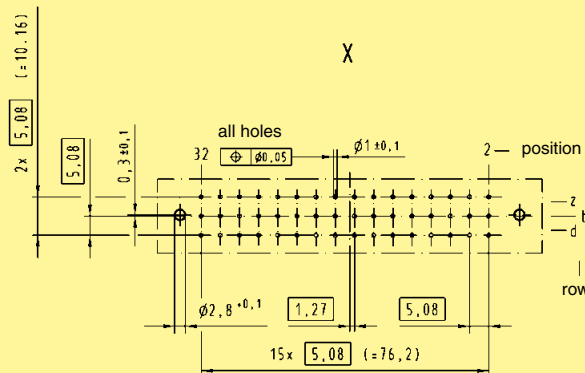
Female connectors

Identification	Number of contacts	Contact arrangement	Part No.	Performance levels according to IEC 60 603-2. Explanation chapter 00	
			3	2	1
Female connector with solder pins 3.7 mm <sup>1)</sup>	48			09 06 248 6848	09 06 248 2848
	32			09 06 232 6848	09 06 232 2848
	32			09 06 232 6858	
Female connector with solder pins 4.5 mm <sup>1)</sup>	48		09 06 248 7835	09 06 248 6835 09 06 248 6835 222 <sup>f)</sup>	09 06 248 2835
	32			09 06 232 6835	09 06 232 2835
	32			09 06 232 6845	09 06 232 2845

Dimensions



Board drillings  
Mounting side



Dimensions in mm

<sup>1)</sup> With shroud coding, see also chapter 00

<sup>f)</sup> Railway classification NFF 16-101, Smoke index: F1, Flammability class: I2

DIN Power up to 6 A

03  
32