

PART NAME

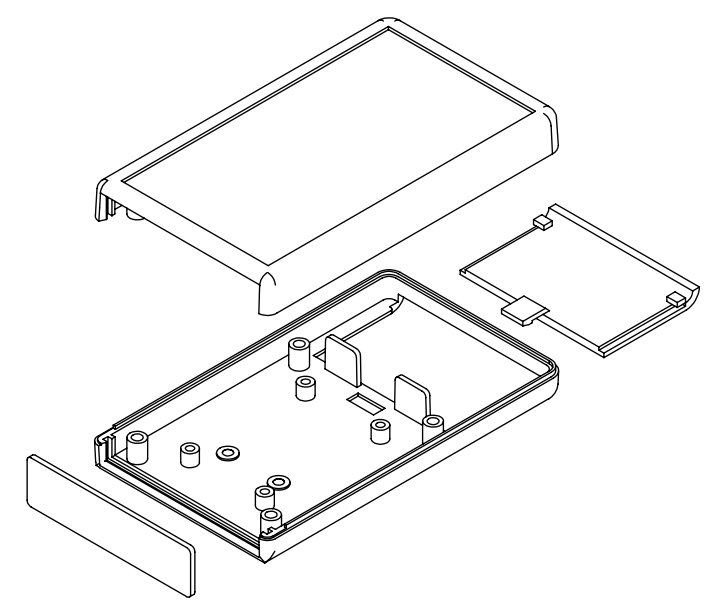
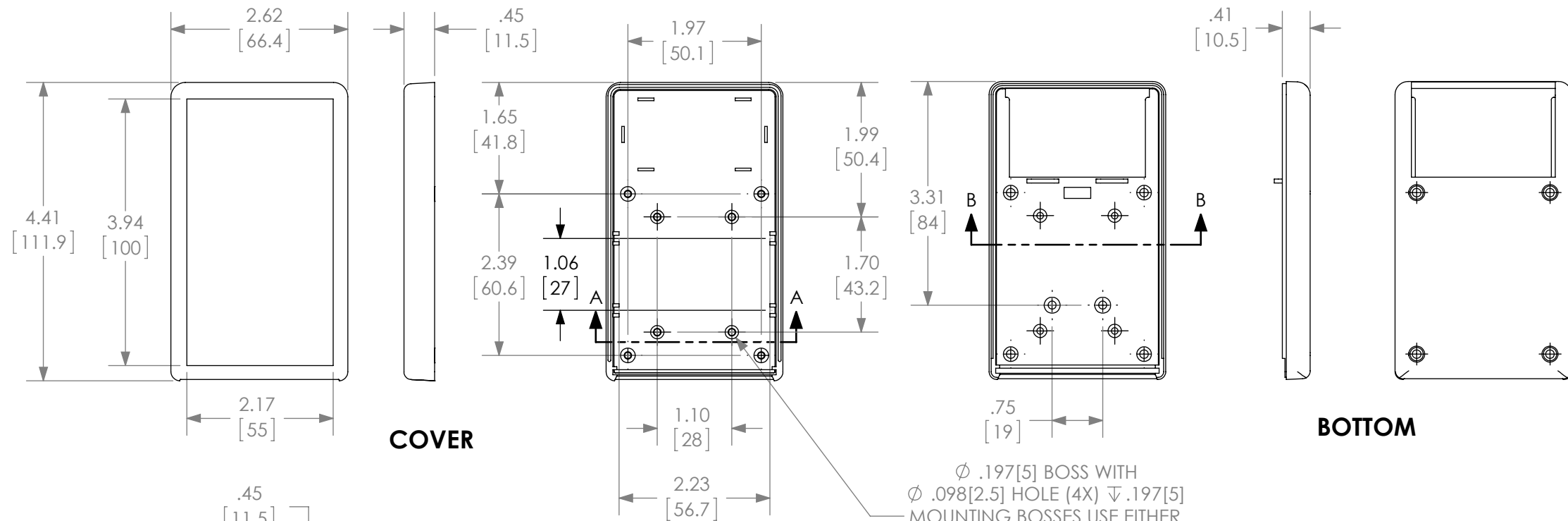
HAND-HELD PLASTIC BOX STYLE 3

PART No.

HP-3662-B

REVISION DATE

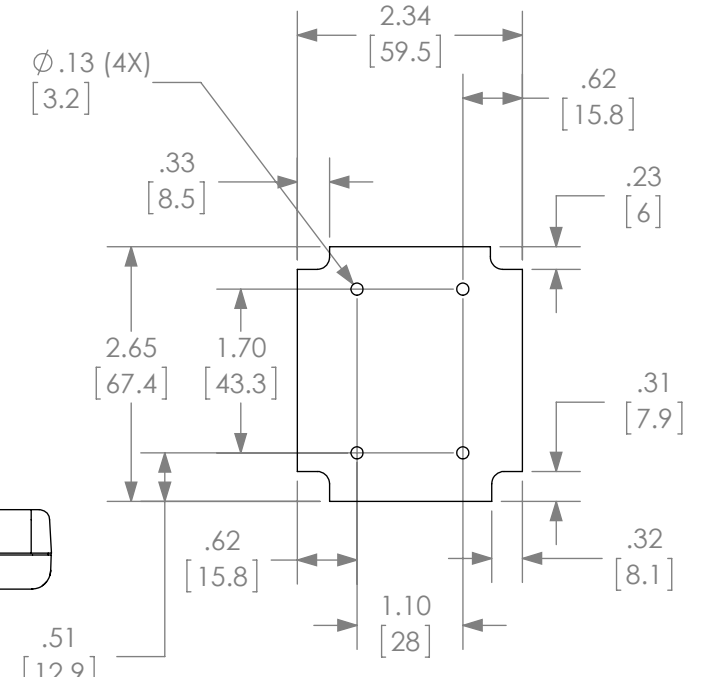
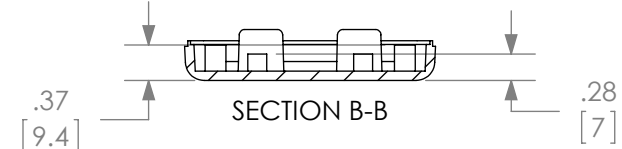
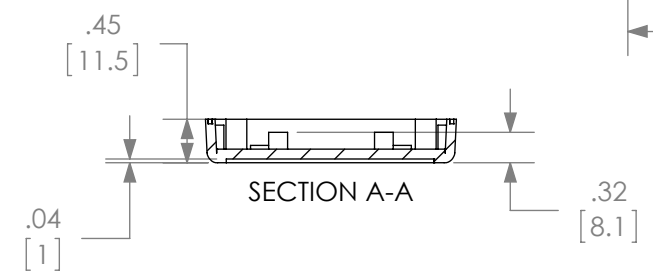
01-25-13



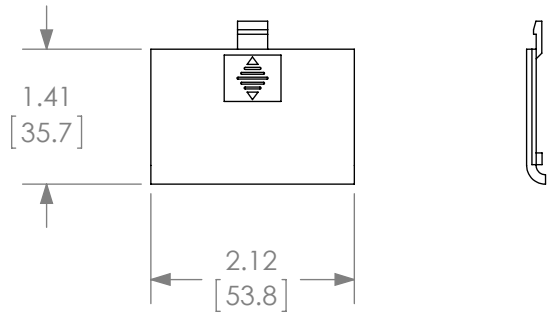
COVER

BOTTOM

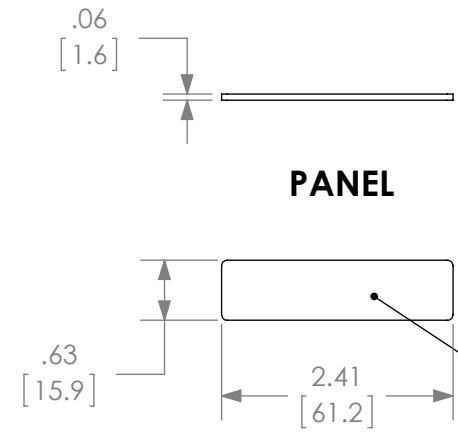
Ø .197[5] BOSS WITH  
 Ø .098[2.5] HOLE (4X) ▽ .197[5]  
 MOUNTING BOSSSES USE EITHER  
 M3 OR #4 SHEET METAL SCREW  
 (NOT SUPPLIED)



BATTERY COVER



PANEL



VIEWING AREA  
 2.29[58.24] X .55[13.9]

- NOTE:**
1. FOUR (4X) M3 X .63[16] LG BLACK CSK HEAD SCREWS SUPPLIED FOR ASSEMBLY
  2. ALL HOLE DIAMETERS HAVE +/- .005[+/- .13] TOLERANCE  
 ALL OTHER DIMENSIONS HAVE +/- .015[+/- .38] TOLERANCE
  3. ALL OUTSIDE AND INSIDE DRAFT ANGLE: 3°
  4. DIMENSIONS ARE INCH[MM]-THIRD ANGLE PROJECTION

**MATERIAL AND FINISH:**  
 BLACK HIGH-IMPACT ABS (UL94-HB)  
 COVER, BOTTOM, PANEL, AND BATTERY COVER

**OPTIONAL ACCESSORIES:**  
 INFRARED PANELS P/N HP-3646  
 BELT CLIP (BLACK) P/N HH-3595-BCB  
 2 AAA BATTERY HOLDER: HH-3630