

# Hubbell GFCI Receptacles for Commercial, Residential, OEM, Industrial and Hospital Applications

# HUBBELL



*LED GFCI*



*AUTOGUARD™ Self Test*



*Industrial Tamper Resistant*



*Industrial Hospital Grade  
Self Test Tamper Resistant*

*Hubbell Tough, Hubbell Safe.  
Nothing Protects Like Hubbell GFCI Solutions.*



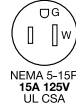
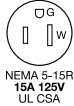
Wiring Device-Kellems

# Hubbell Circuit Guard® Functional LED and Combination Switch/GFCI



The Hubbell LED indicates the ability of the GFCI to perform its “ground fault protection” function when tested. A rapidly flashing red LED will alert even an unfamiliar user if a problem exists. This design meets the 2006 UL 943 revisions including “no power to the face when miswired” and “end of life indication” when unit is no longer capable of providing GFCI protection. In addition, this design meets the 2006 UL 943 surge testing (3kA, 6kV) without having to resort to an inoperative power mode that locks out the end user.

## LED GFCI



### Commercial

### Faceless

### Hospital

| Color        | 15A     | 20A     | 20A       | 15A         | 20A         |
|--------------|---------|---------|-----------|-------------|-------------|
| Brown        | GF15L   | GF20L   | GFBF20L   | GFR8200HL   | GFR8300HL   |
| Ivory        | GF15IL  | GF20IL  | GFBF20IL  | GFR8200HIL  | GFR8300HIL  |
| White        | GF15WL  | GF20WL  | GFBF20WL  | GFR8200HWL  | GFR8300HWL  |
| Gray         | GF15GYL | GF20GYL | GFBF20GYL | GFR8200HGYL | GFR8300HGYL |
| Black        | GF15BKL | GF20BKL | GFBF20BKL | GFR8200HBKL | GFR8300HBKL |
| Red          | GF15RL  | GF20RL  | GFBF20RL  | GFR8200HRL  | GFR8300HRL  |
| Office White | GF15OWL | GF20OWL | GFBF20OWL | GFR8200HOWL | GFR8300HOWL |
| Almond       | GF15ALL | GF20ALL | GFBF20ALL | GFR8200HALL | GFR8300HALL |
| Light Almond | GF15LAL | GF20LAL | GFBF20LAL | GFR8200HLAL | GFR8300HLAL |

Bulk Pack\*

\* 15A & 20A Commercial Bulk pack, 50 pieces. Wall plate not included.  
For bulk pack use suffix “BULK” at end of base catalog. Example GF15ILBULK.

Notes: GFCI type receptacles should not be used in critical care patient areas or for electrical life support equipment applications because of the possibility of power interruption.



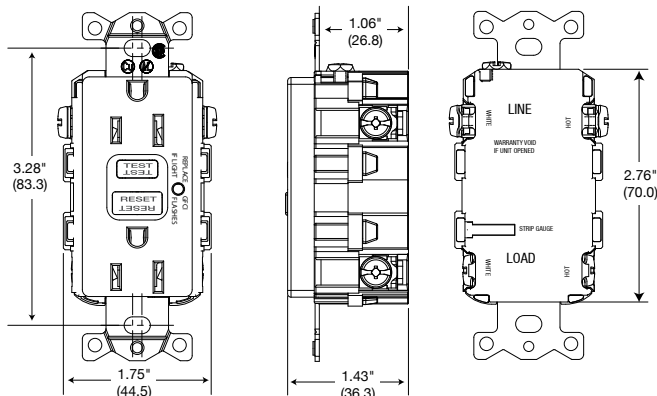
## LED GFCI with Auto Ground

| Color        | 15A       | 20A       |
|--------------|-----------|-----------|
| Brown        | GF15LGD   | GF20LGD   |
| Ivory        | GF15ILGD  | GF20ILGD  |
| White        | GF15WLGD  | GF20WLGD  |
| Gray         | GF15GYLGD | GF20GYLGD |
| Black        | GF15BKLGD | GF20BKLGD |
| Red          | GF15RLGD  | GF20RLGD  |
| Office White | GF15OWLGD | GF20OWLGD |
| Almond       | GF15ALLGD | GF20ALLGD |
| Light Almond | GF15LALGD | GF20LALGD |

## Combination Switch/LED GFCI

| Color        | 15A      |
|--------------|----------|
| Brown        | GFSP15   |
| Ivory        | GFSP15I  |
| White        | GFSP15W  |
| Black        | GFSP15BK |
| Almond       | GFSP15AL |
| Light Almond | GFSP15LA |

## Dimensions



## Specifications

|                               |   |
|-------------------------------|---|
| Trip Level                    | 4 – 6 mA  |
| Trip Time                     | .025 sec  |
| Frequency                     | 60Hz  |
| Voltage                       | 120V AC +10% - 15%  |
| Amperage                      | 15A/20A, 20A Feed Thru  |
| Maximum Humidity              | 95%   |
| Maximum Interrupting Capacity | 2,000 Amps  |
| Operating Temperature         | -35° C to +66° C<br>(-30° F to +150° F)   |
| Codes & Standards             | Meets UL 943 Class A GFCIs and UL 498 for Receptacles<br>Complies to NEC, CEC & OSHA<br>UL File E-41978,<br>CSA File LR-24886 |
| Terminal Accommodations       | #14-10 AWG stranded or solid copper conductors only.  |

# Hubbell AUTOGUARD™ Self Test



You may forget to test, but the Hubbell AUTOGUARD GFCI won't! While the Hubbell GFR is actively ready to provide ground fault protection, an additional circuit is continually monitoring the ability to protect every 60 seconds. This self-test, diagnostic feature is a significant contrast to the one time per month test that users are suggested to perform today. With this feature, the ability to provide people protection can now be verified on a continuous basis. When was the last time you tested your ground fault receptacle?

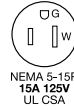
## AUTOGUARD™ Self Test GFCI



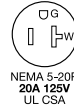
NEMA 5-15R  
15A 125V  
UL CSA



NEMA 5-20R  
20A 125V  
UL CSA



NEMA 5-15R  
15A 125V  
UL CSA



NEMA 5-20R  
20A 125V  
UL CSA

### Commercial

### Faceless

### Hospital

| Color        | 15A      | 20A      | 20A        | 15A          | 20A          |
|--------------|----------|----------|------------|--------------|--------------|
| Brown        | GFST15   | GFST20   | GFSTBF20   | GFR8200HST   | GFR8300HST   |
| Ivory        | GFST15I  | GFST20I  | GFSTBF20I  | GFR8200HIST  | GFR8300HIST  |
| White        | GFST15W  | GFST20W  | GFSTBF20W  | GFR8200HWST  | GFR8300HWST  |
| Gray         | GFST15GY | GFST20GY | GFSTBF20GY | GFR8200HGYST | GFR8300HGYST |
| Black        | GFST15BK | GFST20BK | GFSTBF20BK | GFR8200HBKST | GFR8300HBKST |
| Red          | GFST15R  | GFST20R  | GFSTBF20R  | GFR8200HRST  | GFR8300HRST  |
| Office White | GFST15OW | GFST20OW | GFSTBF20OW | GFR8200HOWST | GFR8300HOWST |
| Almond       | GFST15AL | GFST20AL | GFSTBF20AL | GFR8200HALST | GFR8300HALST |
| Light Almond | GFST15LA | GFST20LA | GFSTBF20LA | GFR8200HLAST | GFR8300HLAST |
| Bulk Pack*   |          |          |            |              |              |

\* 15A & 20A Commercial Bulk pack, 50 pieces. Wall plate not included.  
For bulk pack use suffix "BULK" at end of base catalog. Example GFST15IBULK.

Notes: GFCI type receptacles should not be used in critical care patient areas or for electrical life support equipment applications because of the possibility of power interruption.



GFST15W



GFST20I



GFSTBF20BK



GFSTBF20I

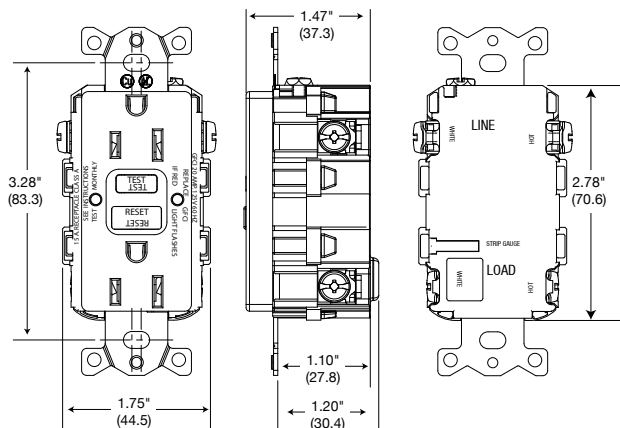


GFR8200HWST



GFR8300HST

## Dimensions



## Specifications

|                               |   |
|-------------------------------|---|
| Trip Level                    | 4 – 6 mA  |
| Trip Time                     | .025 sec  |
| Frequency                     | 60Hz  |
| Voltage                       | 120V AC +10% - 15%  |
| Amperage                      | 15A/20A, 20A Feed Thru  |
| Maximum Humidity              | 95%   |
| Maximum Interrupting Capacity | AUTOGUARD: 10,000 Amps  |
| Operating Temperature         | -35° C to +66° C<br>(-30° F to +150° F)   |
| Codes & Standards             | Meets UL 943 Class A GFCIs and UL 498 for Receptacles<br>Complies to NEC, CEC & OSHA<br>UL File E-41978,<br>CSA File LR-24886 |
| Terminal Accommodations       | #14-10 AWG stranded or solid copper conductors only.  |

# Hubbell Industrial Tamper Resistant and AUTOGUARD™ Self-Test



This patented industrial design includes an exclusive tamper resistant system to protect against objects being placed in a blade opening. Due to a unique switching technology, power is not present if an object is inserted within an individual slot. This is significantly superior to the plastic shutter method that is used by competition today.

The National Electric Code per article 517.18C states “Pediatric Locations, receptacles located within rooms, bathrooms, playrooms, activity rooms and patient care areas of pediatric wards shall be listed tamper resistant or shall employ a listed tamper resistant cover.”

This Fed Spec solution is also an excellent choice for psychiatric areas, medical facilities, heavy industrial, prisons, day care, laboratories, elderly facilities and schools. Industrial “robust” mechanical design & materials provide a receptacle with superior performance. This technology is also available in Hospital Grade.

## Tamper Resistant GFCI



NEMA 5-15R  
15A 125V  
UL CSA



NEMA 5-20R  
20A 125V  
UL CSA



NEMA 5-15R  
15A 125V  
UL CSA



NEMA 5-20R  
20A 125V  
UL CSA

### Industrial

### Hospital

| Color | 15A         | 20A         | 15A         | 20A         |
|-------|-------------|-------------|-------------|-------------|
| Brown | GFR5262TR   | GFR5362TR   | GFR8200TR   | GFR8300TR   |
| Ivory | GFR5262ITR  | GFR5362ITR  | GFR8200ITR  | GFR8300ITR  |
| White | GFR5262WTR  | GFR5362WTR  | GFR8200WTR  | GFR8300WTR  |
| Gray  | GFR5262GYTR | GFR5362GYTR | GFR8200GYTR | GFR8300GYTR |
| Black | GFR5262BKTR | GFR5362BKTR | GFR8200RTR  | GFR8300RTR  |
| Red   | GFR5262RTR  | GFR5362RTR  | GFR8200BKTR | GFR8300BKTR |



## AUTOGUARD™ Self Test Tamper Resistant GFCI

The best of both worlds combine to provide this exclusive industrial and hospital grade safety product.

### Industrial

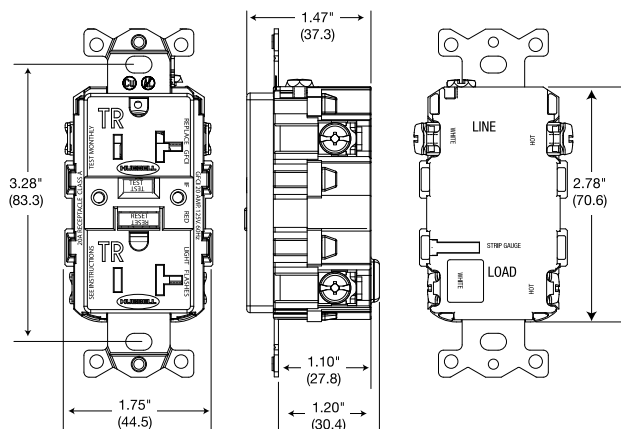
### Hospital

| Color | 15A         | 20A         | 15A         | 20A         |
|-------|-------------|-------------|-------------|-------------|
| Brown | GFR5262SG   | GFR5362SG   | GFR8200SG   | GFR8300SG   |
| Ivory | GFR5262SGI  | GFR5362SGI  | GFR8200SGI  | GFR8300SGI  |
| White | GFR5262SGW  | GFR5362SGW  | GFR8200SGW  | GFR8300SGW  |
| Gray  | GFR5262SGGY | GFR5362SGGY | GFR8200SGGY | GFR8300SGGY |
| Black | GFR5262SGBK | GFR5362SGBK | GFR8200SGBK | GFR8300SGBK |
| Red   | GFR5262SGR  | GFR5362SGR  | GFR8200SGR  | GFR8300SGR  |



The National Electric Code per article 517.18C states “Pediatric Locations, receptacles located within rooms, bathrooms, playrooms, activity rooms and patient care areas of pediatric wards shall be listed tamper resistant or shall employ a listed tamper resistant cover.”

## Dimensions



## Specifications

|                               |  |
|-------------------------------|--|
| Trip Level                    | 4 – 6 mA   |
| Trip Time                     | .025 sec   |
| Frequency                     | 60Hz   |
| Voltage                       | 120V AC +10% - 15%   |
| Maximum Humidity              | 95%  |
| Maximum Interrupting Capacity | 2,000 Amps   |
| Operating Temperature         | -35°C to +66°C (-30°F to +150°F)   |
| Codes & Standards             | Meets 2006 UL 943 Class A GFCIs and UL 498 for Receptacles<br>Complies to NEC, CEC & OSHA<br>UL File E-41978,<br>CSA File LR-24886 |
| Terminal Accommodations       | #14-10 AWG stranded or solid copper conductors only.   |

Note: Tamper Resistant only, has a single LED located to the right of test/reset buttons.

Printed In U.S.A. Specifications subject to change without notice. © Registered trademark of Hubbell Incorporated

Hubbell Incorporated (Delaware) • 185 Plains Road • Milford, CT 06461-2420 • (203) 882-4800 • FAX (800) 255-1031

H5212



www.hubbell-wiring.com