

FEATURES

- Single-Chip Mixer/Oscillator and Phase-Locked Loop (PLL) Synthesizer
- Three-Band Local Oscillator
- I²C Bus Protocol (Bidirectional Data Transmission)
- 30-V Tuning Voltage Output
- Four NPN-Type Band-Switch Drivers
- Programmable Reference Divider Ratio (512, 640, or 1024)
- External 4-Pin Intermediate Frequency (IF) Filter Between Mixer Output and IF Amplifier Input
- 5-V Power Supply
- 30-Pin Thin Shrink Small-Outline Package (TSSOP)

APPLICATIONS

- TVs
- VCR/DVD Recorders
- Set-Top Boxes

DESCRIPTION

The SN761678B is a synthesized tuner IC designed for TV tuning systems. The circuit consists of a phase-locked loop (PLL) synthesizer, three-band local oscillator and mixer, 30-V output tuning amplifier, and four NPN band-switch drivers. The device is available in a small-outline package. A 15-bit programmable counter and reference divider are controlled by I²C bus protocol. Tuning step frequency is selectable by this reference divider ratio for a crystal oscillator.

DBT PACKAGE
(TOP VIEW)

VHI OSC C	1	30	UHF RF IN
VHI OSC B	2	29	VHF RF IN
OSC GND	3	28	BS4
VLO OSC C	4	27	RF GND
VLO OSC B	5	26	MIX OUT2
UHF OSC B1	6	25	MIX OUT1
UHF OSC C1	7	24	IF IN2
UHF OSC C2	8	23	IF IN1
UHF OSC B2	9	22	BS2
IF GND	10	21	BS1
VCC	11	20	BS3
IF OUT	12	19	ADC
CP	13	18	AS
VTU	14	17	SDA
XTAL	15	16	SCL

P0038-01



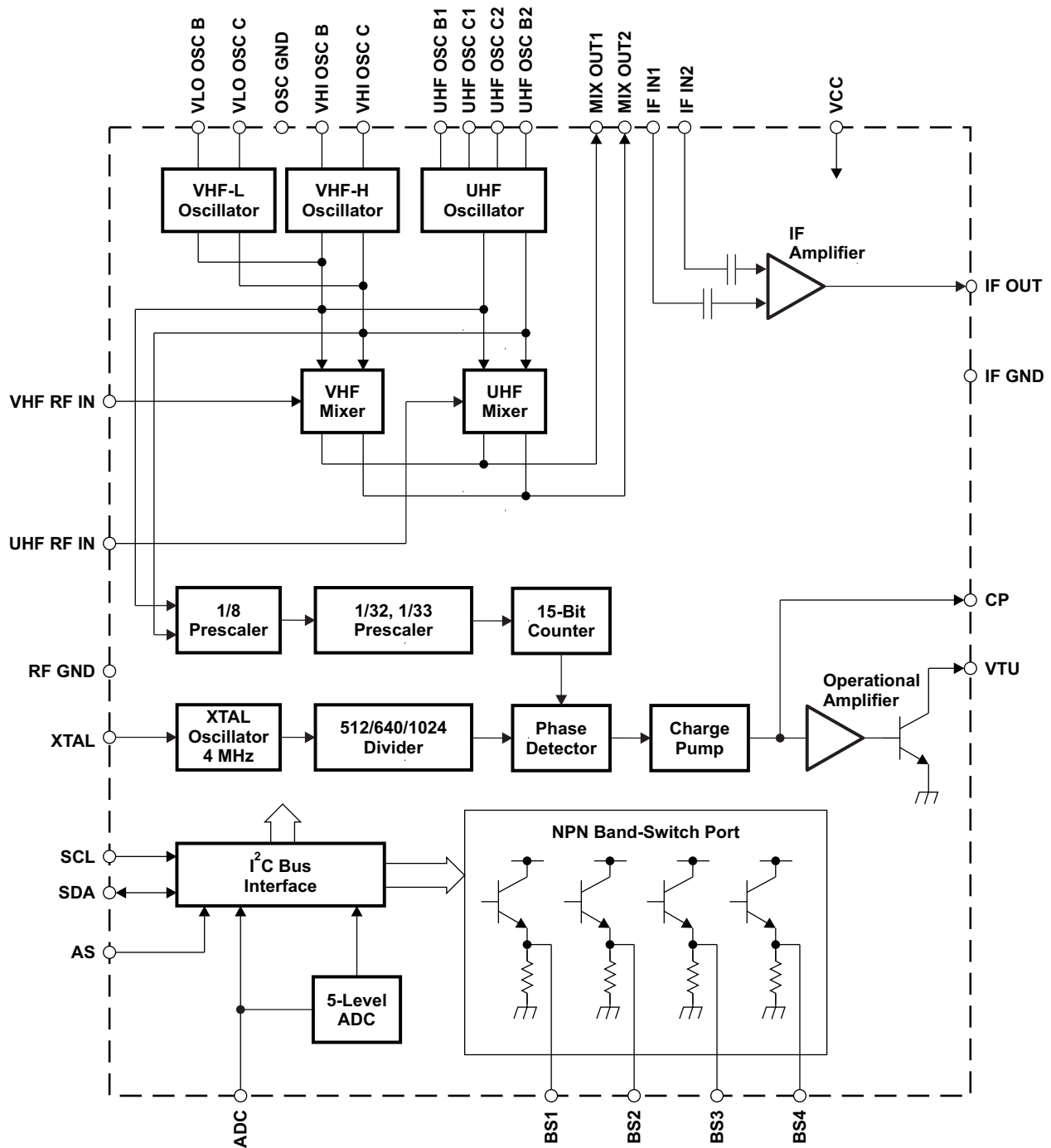
This integrated circuit can be damaged by ESD. Texas Instruments recommends that all integrated circuits be handled with appropriate precautions. Failure to observe proper handling and installation procedures can cause damage.

ESD damage can range from subtle performance degradation to complete device failure. Precision integrated circuits may be more susceptible to damage because very small parametric changes could cause the device not to meet its published specifications.



Please be aware that an important notice concerning availability, standard warranty, and use in critical applications of Texas Instruments semiconductor products and disclaimers thereto appears at the end of this data sheet.

FUNCTIONAL BLOCK DIAGRAM



B0089-02

Terminal Functions

TERMINAL NAME	NO.	DESCRIPTION	SCHEMATIC
ADC	19	ADC input	Figure 1
AS	18	Address selection input	Figure 2
BS1	21	Band-switch 1 output (NPN emitter follower)	Figure 4
BS2	22	Band-switch 2 output (NPN emitter follower)	Figure 4
BS3	20	Band-switch 3 output (NPN emitter follower)	Figure 4
BS4	28	Band-switch 4 output (NPN emitter follower)	Figure 4
CP	13	Charge-pump output	Figure 5
IF GND	10	IF ground	
IF IN1	23	IF amplifier input 1	Figure 3
IF IN2	24	IF amplifier input 2	Figure 3
IF OUT	12	IF output	Figure 6
MIX OUT1	25	Mixer output 1	Figure 7
MIX OUT2	26	Mixer output 2	Figure 7
OSC GND	3	Oscillator ground	
RF GND	27	RF ground	
SCL	16	Serial clock input	Figure 8
SDA	17	Serial data input/output	Figure 9
UHF OSC B1	6	UHF oscillator base 1	Figure 10
UHF OSC B2	9	UHF oscillator base 2	Figure 10
UHF OSC C1	7	UHF oscillator collector 1	Figure 10
UHF OSC C2	8	UHF oscillator collector 2	Figure 10
UHF RF IN	30	UHF RF input	Figure 11
VCC	11	Supply voltage for mixer/oscillator/PLL: 5 V	
VHF RF IN	29	VHF RF input	Figure 12
VHI OSC B	2	VHF HIGH oscillator base	Figure 13
VHI OSC C	1	VHF HIGH oscillator collector	Figure 13
VLO OSC B	5	VHF LOW oscillator base	Figure 14
VLO OSC C	4	VHF LOW oscillator collector	Figure 14
VTU	14	Tuning voltage amplifier output	Figure 15
XTAL	15	4-MHz crystal oscillator input	Figure 16

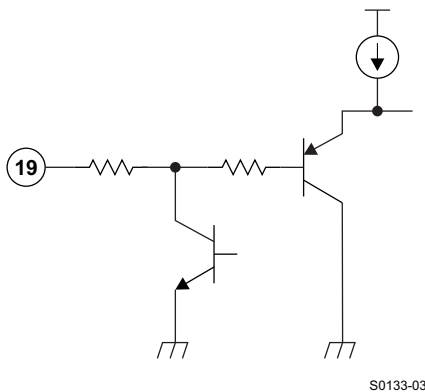


Figure 1.

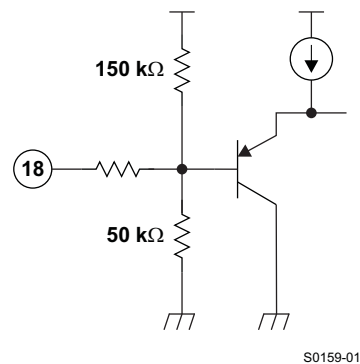


Figure 2.

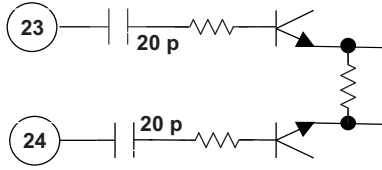
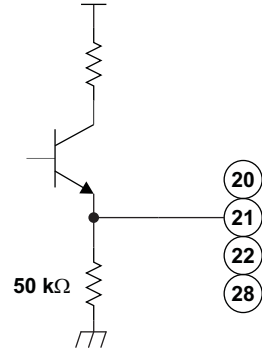
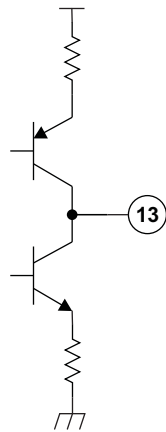


Figure 3.



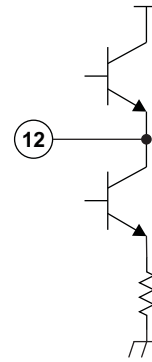
S0138-02

Figure 4.



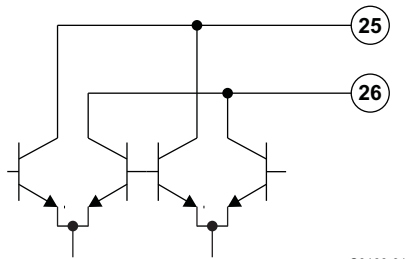
S0156-01

Figure 5.



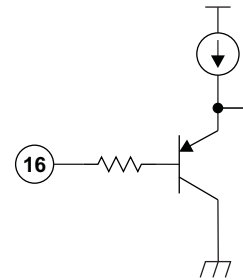
S0155-01

Figure 6.



S0160-01

Figure 7.



S0136-03

Figure 8.

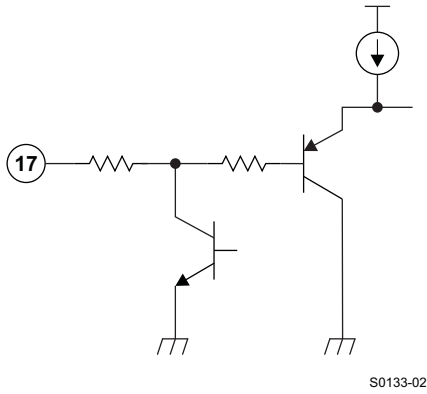


Figure 9.

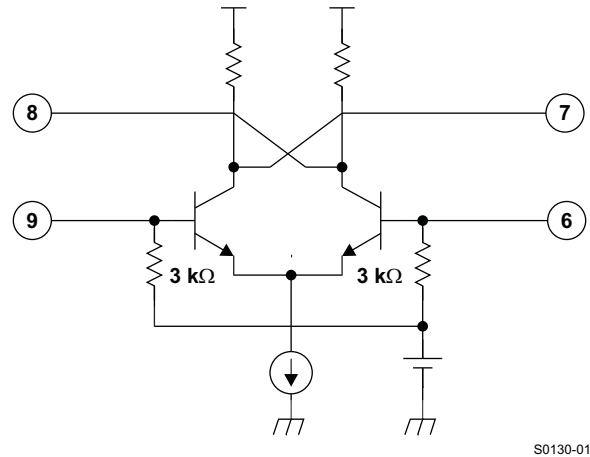


Figure 10.

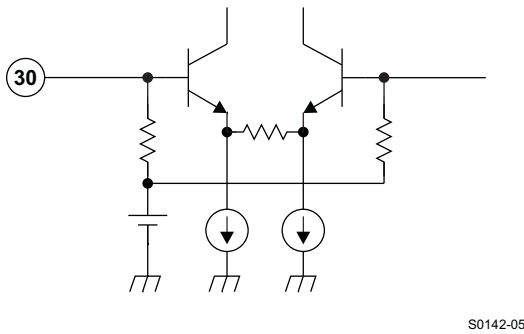


Figure 11.

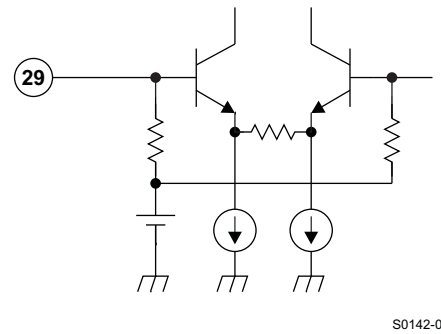


Figure 12.

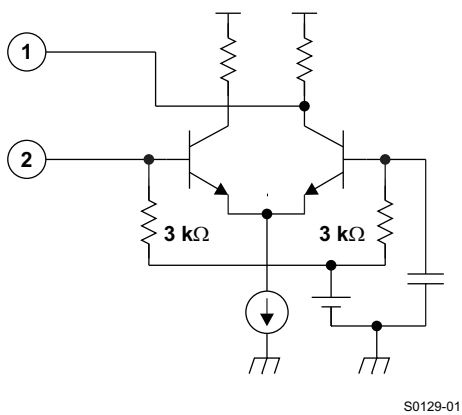


Figure 13.

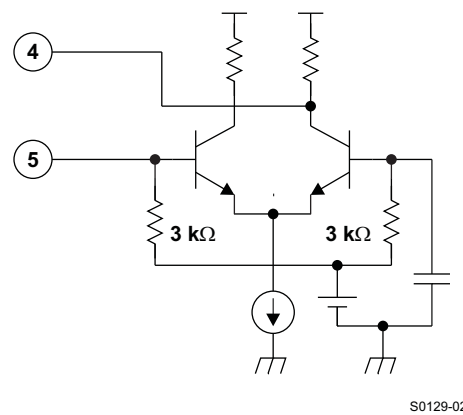


Figure 14.

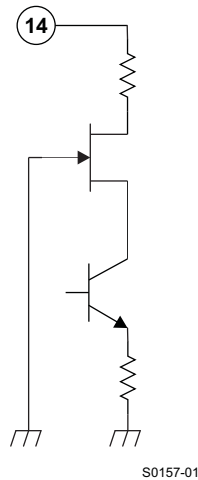


Figure 15.

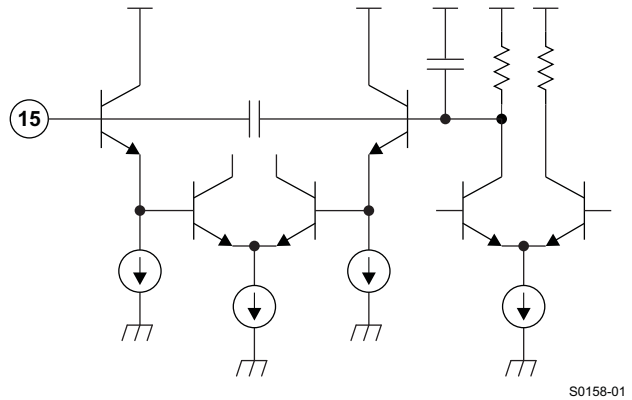


Figure 16.

Absolute Maximum Ratings

over operating free-air temperature range (unless otherwise noted) ⁽¹⁾

Supply voltage range, $V_{CC}^{(2)}$	VCC (pin 11)	-0.4 V to 6.5 V
Input voltage 1, $V_{GND}^{(2)}$	OSC GND, RF GND (pins 3, 27)	-0.4 V to 0.4 V
Input voltage 2, $V_{VTU}^{(2)}$	VTU (pin 14)	-0.4 V to 35 V
Input voltage 3, $V_{IN}^{(2)}$	Other pins (1, 2, 4–9, 12, 13, 15–26, 28–30)	-0.4 V to 6.5 V
Continuous total dissipation, $P_D^{(3)}$	$T_A \leq 25^\circ\text{C}$	1071 mW
Operating free-air temperature range, T_A		-20°C to 85°C
Storage temperature range, T_{stg}		-65°C to 150°C
Maximum junction temperature, T_J		150°C
Maximum short-circuit time, $t_{SC(max)}$	Each pin to V_{CC} or to GND	10 s

(1) Stresses beyond those listed under "absolute maximum ratings" may cause permanent damage to the device. These are stress ratings only, and functional operation of the device at these or any other conditions beyond those indicated under "recommended operating conditions" is not implied. Exposure to absolute-maximum-rated conditions for extended periods may affect device reliability.

(2) Voltage values are with respect to the IF GND of the circuit.

(3) Derating factor is 8.57 mW/°C for $T_A \geq 25^\circ\text{C}$.

Recommended Operating Conditions

	MIN	NOM	MAX	UNIT
Supply voltage, V_{CC}	4.5	5	5.5	V
Tuning supply voltage, V_{TU}		30	33	V
Output current of band switch, I_{BS}			10	mA
				One port on
Operating free-air temperature, T_A	-20		85	°C

Electrical Characteristics – Total Device and Serial Interface

$V_{CC} = 4.5\text{ V to }5.5\text{ V}$, $T_A = -20^\circ\text{C to }85^\circ\text{C}$ (unless otherwise noted)

PARAMETER		TEST CONDITIONS	MIN	TYP	MAX	UNIT
I_{CC1}	Supply current 1			60		mA
I_{CC2}	Supply current 2	One band switch on ($I_{BS} = 10\text{ mA}$)		70		mA
V_{IH}	High-level input voltage (SCL, SDA)		2.8		V_{CC}	V
V_{IL}	Low-level input voltage (SCL, SDA)				1.4	V
I_{IH}	High-level input current (SCL, SDA)				10	μA
I_{IL}	Low-level input current (SCL, SDA)		-10			μA
V_{POR}	Power-on-reset supply voltage (threshold of supply voltage between reset and operation mode)		2.1	2.8	3.6	V
I²C Interface						
V_{ASH}	Address-select high-input voltage (AS)	$V_{CC} = 5\text{ V}$	4.5		5	V
V_{ASM1}	Address-select mid1-input voltage (AS)	$V_{CC} = 5\text{ V}$	2		3	V
V_{ASM2}	Address-select mid2-input voltage (AS)	$V_{CC} = 5\text{ V}$	1		1.5	V
V_{ASL}	Address-select low-input voltage (AS)	$V_{CC} = 5\text{ V}$			0.5	V
I_{ASH}	Address-select high-input current (AS)	$V_{CC} = 5\text{ V}$, $T_A = 25^\circ\text{C}$			140	μA
I_{ASL}	Address-select low-input current (AS)	$V_{CC} = 5\text{ V}$, $T_A = 25^\circ\text{C}$	-50			μA
V_{ADC}	ADC input voltage	See Table 8	0		V_{CC}	V
I_{ADH}	ADC high-level input current	$V_{ADC} = V_{CC}$			10	μA
I_{ADL}	ADC low-level input current	$V_{ADC} = 0\text{ V}$	-50			μA
V_{OL}	Low-level output voltage (SDA)	$V_{CC} = 5\text{ V}$, $I_{OL} = 3\text{ mA}$			0.4	V
I_{SDAH}	High-level output leakage current (SDA)	$V_{SDA} = 5.5\text{ V}$			10	μA
f_{SCL}	Clock frequency (SCL)			100	400	kHz
I²C Timing (see Figure 17)						
$t_{hd(DAT)}$	Data hold time		0			μs
$t_{(BUF)}$	Bus free time		1.3			μs
$t_{hd(STA)}$	Start hold time		0.6			μs
$t_{(Low)}$	SCL-low hold time		1.3			μs
$t_{(High)}$	SCL-high hold time		0.6			μs
$t_{su(STA)}$	Start setup time		0.6			μs
$t_{su(DAT)}$	Data setup time		0.1			μs
t_r	SCL, SDA rise time				0.3	μs
t_f	SCL, SDA fall time				0.3	μs
$t_{su(STO)}$	Stop setup time		0.6			μs

Electrical Characteristics – PLL and Band Switch

$V_{CC} = 4.5\text{ V to }5.5\text{ V}$, $T_A = -20^\circ\text{C to }85^\circ\text{C}$ (unless otherwise noted)

PARAMETER		TEST CONDITIONS	MIN	TYP	MAX	UNIT
N	Divider ratio	15-bit frequency word	256		32767	
f_{XTAL}	Crystal oscillator frequency	$R_{XTAL} = 25\ \Omega$ to $300\ \Omega$	3.2	4	4.48	MHz
Z_{XTAL}	Crystal oscillator input impedance			1.6		k Ω
V_{IXTAL2}	Minimum reference input sensitivity (XTAL)	4 MHz, ac coupling with 0.1- μ F capacitor			100	mVp-p
V_{VTUL}	Tuning amplifier low-level output voltage	$R_L = 22\text{ k}\Omega$, $V_{TU} = 33\text{ V}$		0.4	0.5	V
I_{VTUOFF}	Tuning amplifier leakage current (off)	OS = 1, $V_{TU} = 33\text{ V}$			10	μ A
I_{CPH}	Charge-pump high-level input current	CP = 1		280		μ A
I_{CPL}	Charge-pump low-level input current	CP = 0		60		μ A
V_{CP}	Charge-pump output voltage	PLL locked		1.95		V
I_{CPOFF}	Charge-pump leakage current	T2 = 0, T1 = 1, $V_{CP} = 2\text{ V}$, $T_A = 25^\circ\text{C}$	-15		15	nA
I_{BS}	Band-switch driver output current				10	mA
V_{BS1}	Band-switch driver output voltage	$I_{BS} = 10\text{ mA}$	3			V
V_{BS2}		$I_{BS} = 10\text{ mA}$, $V_{CC} = 5\text{ V}$, $T_A = 25^\circ\text{C}$	3.5	3.9		
I_{BSOFF}	Band-switch driver leakage current	$V_{BS} = 0\text{ V}$			3	μ A

Electrical Characteristics – Mixer, Oscillator, IF Amplifier

$V_{CC} = 5\text{ V}$, $T_A = 25^\circ\text{C}$, measured in [Figure 18](#) reference measurement circuit at 50- Ω system, IF filter characteristics: $f_{peak} = 43\text{ MHz}$ (unless otherwise noted)

PARAMETER		TEST CONDITIONS	MIN	TYP	MAX	UNIT
G_{c11}	Conversion gain 1 (mixer-IF amplifier), VHF-LOW	$f_{in} = 58\text{ MHz}^{(1)}$	22	25	28	dB
G_{c13}		$f_{in} = 130\text{ MHz}^{(1)}$	22	25	28	
G_{c14}	Conversion gain 1 (mixer-IF amplifier), VHF-HIGH	$f_{in} = 136\text{ MHz}^{(1)}$	22	25	28	dB
G_{c16}		$f_{in} = 364\text{ MHz}^{(1)}$	22	25	28	
G_{c17}	Conversion gain 1 (mixer-IF amplifier), UHF	$f_{in} = 370\text{ MHz}^{(1)}$	26	29	32	dB
G_{c19}		$f_{in} = 804\text{ MHz}^{(1)}$	25	28	31	
G_{c21}	Conversion gain 2 (mixer-IF amplifier), VHF-LOW	$f_{in} = 58\text{ MHz}^{(2)}$	16	19	22	dB
G_{c23}		$f_{in} = 130\text{ MHz}^{(2)}$	16	19	22	
G_{c24}	Conversion gain 2 (mixer-IF amplifier), VHF-HIGH	$f_{in} = 136\text{ MHz}^{(2)}$	16	19	22	dB
G_{c26}		$f_{in} = 364\text{ MHz}^{(2)}$	16	19	22	
G_{c27}	Conversion gain 2 (mixer-IF amplifier), UHF	$f_{in} = 370\text{ MHz}^{(2)}$	20	23	26	dB
G_{c29}		$f_{in} = 804\text{ MHz}^{(2)}$	19	22	25	
NF_1	Noise figure, VHF-LOW	$f_{in} = 55.25\text{ MHz}$		9.5		dB
NF_3		$f_{in} = 127.25\text{ MHz}$		9.5		
NF_4	Noise figure, VHF-HIGH	$f_{in} = 133.25\text{ MHz}$		10		dB
NF_6		$f_{in} = 361.25\text{ MHz}$		10		
NF_7	Noise figure, UHF	$f_{in} = 367.25\text{ MHz}$		11		dB
NF_9		$f_{in} = 801.25\text{ MHz}$		11		
CM_1	1% cross-modulation distortion, VHF-LOW	$f_{in} = 55.25\text{ MHz}^{(3)}$		89		dB μ V
CM_3		$f_{in} = 127.25\text{ MHz}^{(3)}$		89		
CM_4	1% cross-modulation distortion, VHF-HIGH	$f_{in} = 133.25\text{ MHz}^{(3)}$		86		dB μ V
CM_6		$f_{in} = 361.25\text{ MHz}^{(3)}$		86		
CM_7	1% cross-modulation distortion, UHF	$f_{in} = 367.25\text{ MHz}^{(3)}$		87		dB μ V
CM_9		$f_{in} = 801.25\text{ MHz}^{(3)}$		87		
V_{IFO1}	IF output voltage, VHF-LOW	$f_{in} = 55.25\text{ MHz}^{(4)}$		117		dB μ V
V_{IFO3}		$f_{in} = 127.25\text{ MHz}^{(4)}$		117		
V_{IFO4}	IF output voltage, VHF-HIGH	$f_{in} = 133.25\text{ MHz}^{(4)}$		117		dB μ V
V_{IFO6}		$f_{in} = 361.25\text{ MHz}^{(4)}$		117		
V_{IFO7}	IF output voltage, UHF	$f_{in} = 367.25\text{ MHz}^{(4)}$		117		dB μ V
V_{IFO9}		$f_{in} = 801.25\text{ MHz}^{(4)}$		117		
Φ_{OSC1}	Phase noise, VHF-LOW	$f_{in} = 55.25\text{ MHz}^{(5)}$		88		dBc/Hz
Φ_{OSC3}		$f_{in} = 127.25\text{ MHz}^{(5)}$		88		
Φ_{OSC4}	Phase noise, VHF-HIGH	$f_{in} = 133.25\text{ MHz}^{(5)}$		86		dBc/Hz
Φ_{OSC6}		$f_{in} = 361.25\text{ MHz}^{(5)}$		86		
Φ_{OSC7}	Phase noise, UHF	$f_{in} = 367.25\text{ MHz}^{(5)}$		84		dBc/Hz
Φ_{OSC9}		$f_{in} = 801.25\text{ MHz}^{(5)}$		84		
	Prescaler beat ⁽⁶⁾				25	dB μ V

- (1) IF = 43 MHz, RF input level = 80 dB μ V (see [Figure 19](#))
(2) IF = 43 MHz, RF input level = 80 dB μ V (see [Figure 20](#))
(3) $f_{undes} = f_{des} \pm 6\text{ MHz}$, $P_{in} = 80\text{ dB}\mu\text{V}$, AM 1 kHz, 30%, DES/CM = S/I = 46 dB
(4) IF = 45.75 MHz
(5) Offset = 10 kHz, RF input level = 70 dB μ V
(6) Design parameter, not tested

FUNCTIONAL DESCRIPTION

I²C Bus Mode

I²C Write Mode ($R/\overline{W} = 0$)

Table 1. Write Data Format

	MSB							LSB	
Address byte (ADB)	1	1	0	0	0	MA1	MA0	R/ \overline{W} = 0	A ⁽¹⁾
Divider byte 1 (DB1)	0	N14	N13	N12	N11	N10	N9	N8	A ⁽¹⁾
Divider byte 2 (DB2)	N7	N6	N5	N4	N3	N2	N1	N0	A ⁽¹⁾
Control byte (CB)	1	CP	T2	T1	T0	RSA	RSB	OS	A ⁽¹⁾
Band-switch byte (BB)	X	X	X	X	BS4	BS3	BS2	BS1	A ⁽¹⁾

(1) A = Acknowledge

Table 2. Write Data Symbol Description

SYMBOL	DESCRIPTION	DEFAULT
MA[1:0]	Address-set bits (see Table 3)	
N[14:0]	Programmable counter set bits $N = N14 \times 2^{14} + N13 \times 2^{13} + \dots + N1 \times 2 + N0$ Oscillation frequency = $f_r \times 8 \times N$ f_r = Reference frequency = 4 MHz/Reference divider	N14 = N13 = N12 = ... = N0 = 0
CP	Charge-pump current-set bit 60 μ A (CP = 0), 280 μ A (CP = 1)	CP = 1
T[2:0]	Test bits (see Table 4) Normal mode: T2 = 0, T1 = 0, T0 = 1/0	T[2:0] = 001
RSA, RSB	Reference divider ratio selection bits (see Table 5)	RSA = 0, RSB = 1
OS	Tuning amplifier control bit Tuning voltage on (OS = 0) Tuning voltage off, high impedance (OS = 1)	OS = 0
BS[4:1]	Band-switch control bits BSn = 0: Tr = OFF BSn = 1: Tr = ON Band selection by BS1, BS2, BS4 BS1(VL) BS2(VH) BS4(U) 1 0 0 VHF-LO X 1 0 VHF-HI X X 1 UHF	BSn = 0
X	Don't care	

Table 3. Address Selection

MA1	MA0	VOLTAGE APPLIED ON AS INPUT
0	0	LOW: 0 V to 0.1 V _{CC}
0	1	MID2: open, or 0.2 V _{CC} to 0.3 V _{CC}
1	0	MID1: 0.4 V _{CC} to 0.6 V _{CC}
1	1	HIGH: 0.9 V _{CC} to V _{CC}

Table 4. Test Bits ⁽¹⁾

T2	T1	T0	DEVICE OPERATION	NOTE
0	0	0	Normal operation	
0	0	1	Normal operation	Default
0	1	X	Charge pump is off.	
1	1	0	Charge pump is sink.	
1	1	1	Charge pump is source.	
1	0	X	Test mode	ADC not available

(1) Not used for other bit patterns

Table 5. Reference Divider Ratio

RSA	RSB	REFERENCE DIVIDER RATIO
X	0	640
0	1	1024
1	1	512

I²C Read Mode (R/W = 1)

Table 6. Read Data Format

	MSB						LSB		
Address byte (ADB)	1	1	0	0	0	MA1	MA0	R/W = 1	A ⁽¹⁾
Status byte (SB)	POR	FL	1	1	1	A2	A1	A0	–

(1) A = Acknowledge

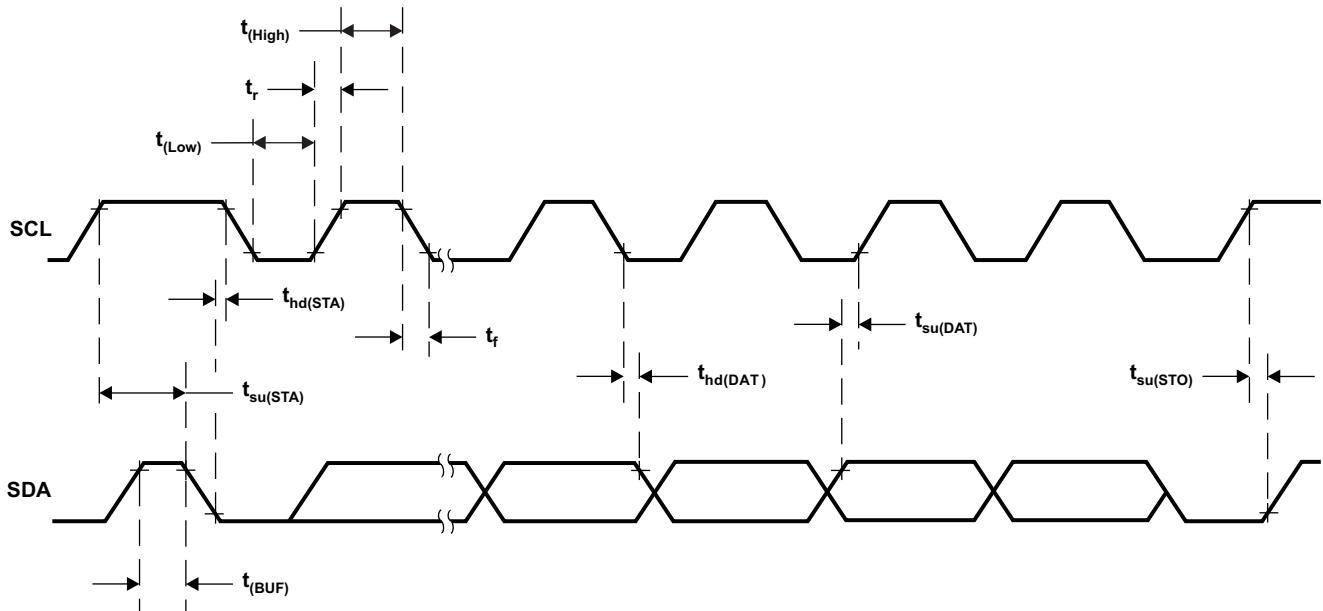
Table 7. Read Data Symbol Description

SYMBOL	DESCRIPTION	DEFAULT
MA[1:0]	Address-set bits (see Table 3)	
POR	Power-on-reset flag POR set: Power on POR reset: End-of-data transmission procedure	POR = 1
FL	In-lock flag PLL locked (FL = 1), PLL unlocked (FL = 0)	
A[2:0]	Digital data of ADC (see Table 8)	

Table 8. ADC Level

A2	A1	A0	VOLTAGE APPLIED ON ADC INPUT ⁽¹⁾
1	0	0	0.6 V _{CC} to V _{CC}
0	1	1	0.45 V _{CC} to 0.6 V _{CC}
0	1	0	0.3 V _{CC} to 0.45 V _{CC}
0	0	1	0.15 V _{CC} to 0.3 V _{CC}
0	0	0	0 V to 0.15 V _{CC}

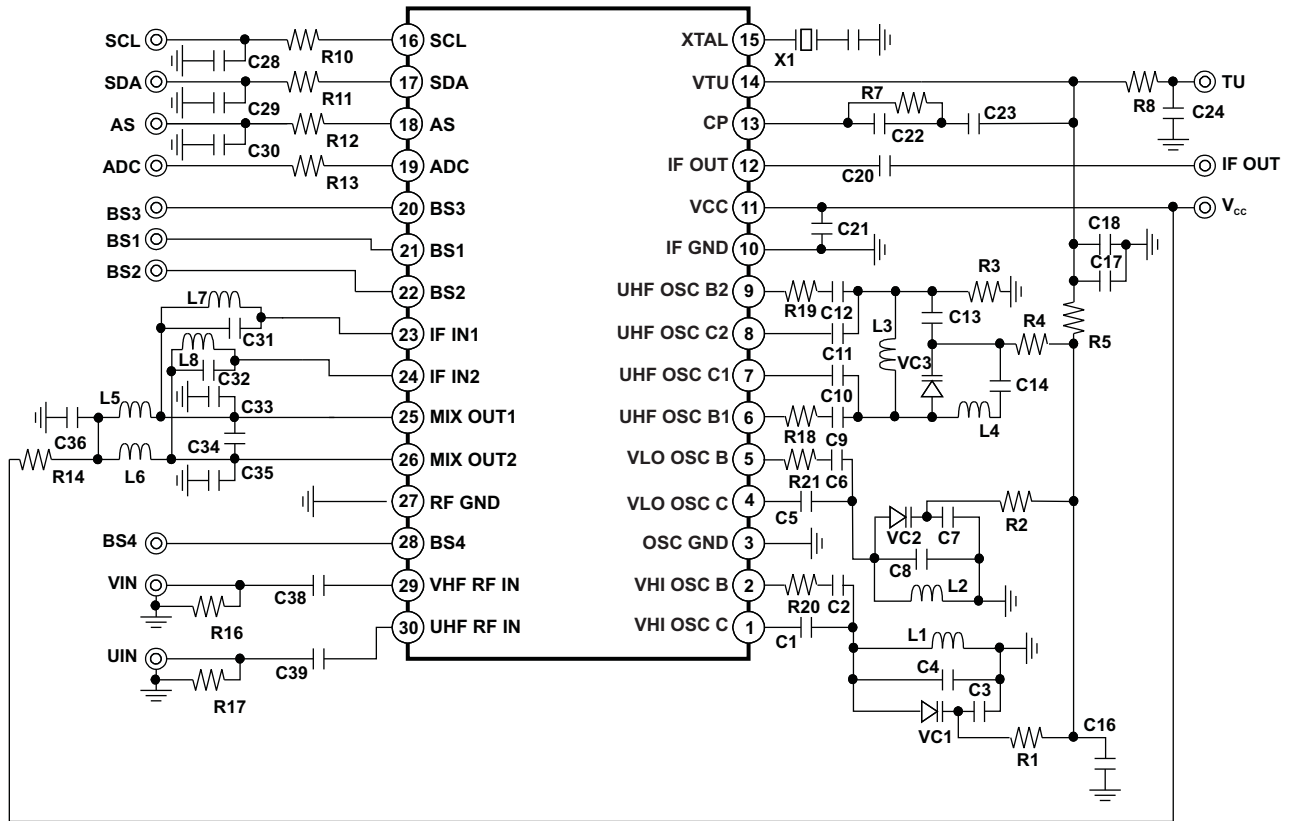
(1) Accuracy is $0.03 \times V_{CC}$.



T0101-01

Figure 17. I²C Timing Chart

APPLICATION INFORMATION



NOTE: This application information is advisory and a performance check is required for actual application circuits. TI assumes no responsibility for the consequences of the use of this circuit, nor for any infringement of patent or patent rights of third parties that may result from its use.

Figure 18. Reference Measurement Circuit

APPLICATION INFORMATION (continued)

Component Values for Measurement Circuit

PART NAME	VALUE	PART NAME	VALUE
C1	2 p	L1	φ2.4 mm 4T 0.4 mm
C2	2 p	L2	φ3.0 mm 8T 0.32 mm
C3	82 p	L3	φ3.0 mm 2T 0.4 mm
C4	Open	L4	φ2.0 mm 3T 0.4 mm
C5	2 p	L5	φ2.4 mm 16T 0.26 mm
C6	2 p	L6	φ2.4 mm 16T 0.26 mm
C7	47 p	L7	Open
C8	3 p	L8	Open
C9	1.5 p		
C10	1 p	R1	33 k
C11	1 p	R2	33 k
C12	1.5 p	R3	22 k
C13	12 p	R4	33 k
C14	100 p	R5	22 k
C16	2.2 nF/50 V	R7	22 k
C17	2.2 n/50 V	R8	22 k
C18	2.2 n/50 V	R10	330
C20	2.2 n	R11	330
C21	4.7 n	R12	330
C22	2.2 n	R13	Short
C23	0.1 μ/50 V	R14	Short
C24	2.2 n/50 V	R16	Open
C27	68 p	R17	Open
C28	Open	R18	20
C29	Open	R19	20
C30	Open	R20	20
C31	Short		
C32	Short		
C33	Open	U1	SN761678B
C34	22 pF		
C35	Open	VC1	1T363A
C36	4.7 n	VC2	1T363A
C38	2.2 n	VC3	1T363A
C39	2.2 n		
		X1	4 MHz

APPLICATION INFORMATION (CONTINUED)

Test Circuits

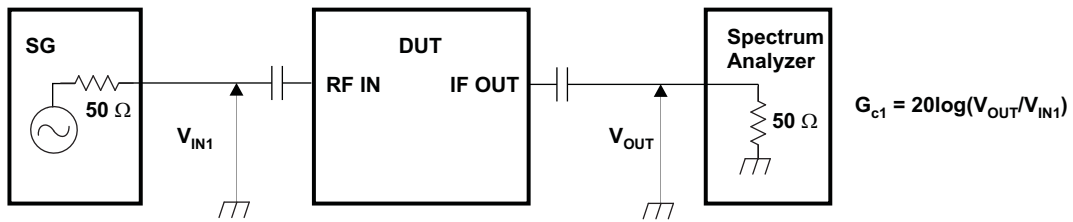


Figure 19. Measurement Circuit of Conversion Gain 1

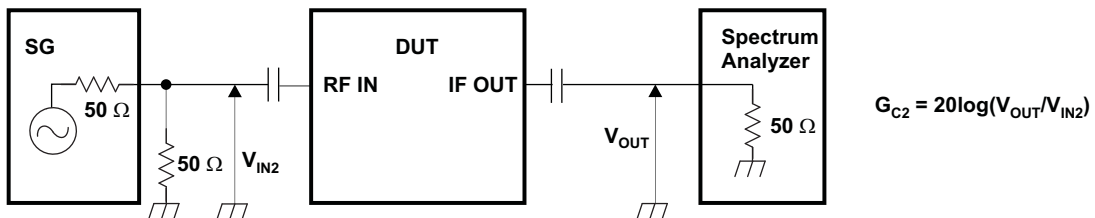


Figure 20. Measurement Circuit of Conversion Gain 2

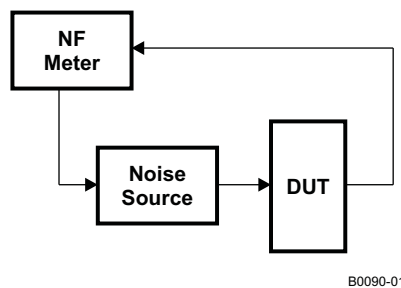


Figure 21. Noise-Figure Measurement Circuit

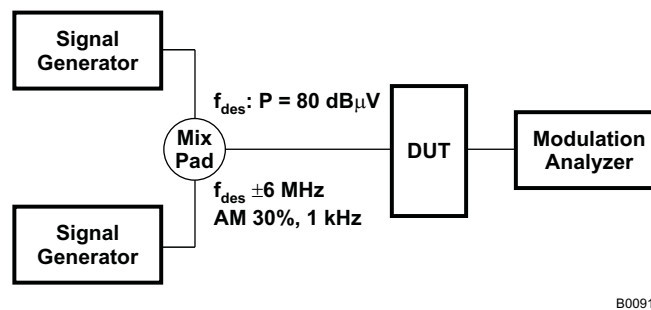


Figure 22. 1% Cross-Modulation-Distortion Measurement Circuit

TYPICAL CHARACTERISTICS

Band-Switch Driver Output Voltage (BS1–BS4)

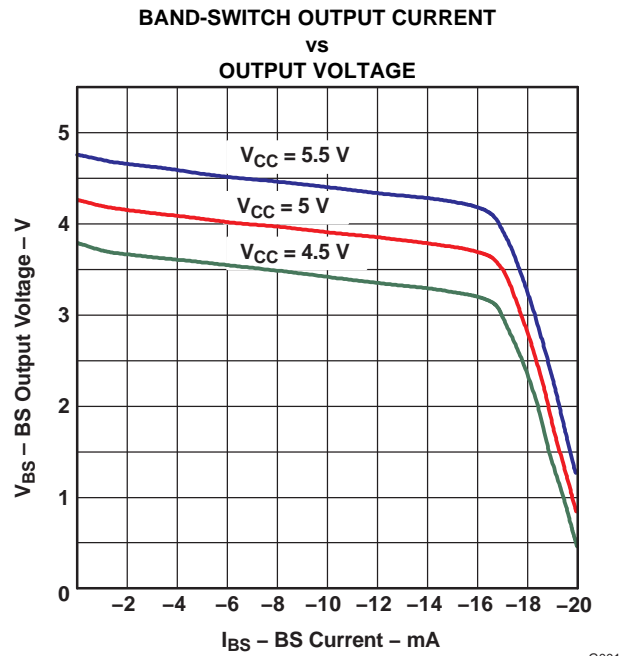


Figure 23. Band-Switch Driver Output Voltage

S-Parameter

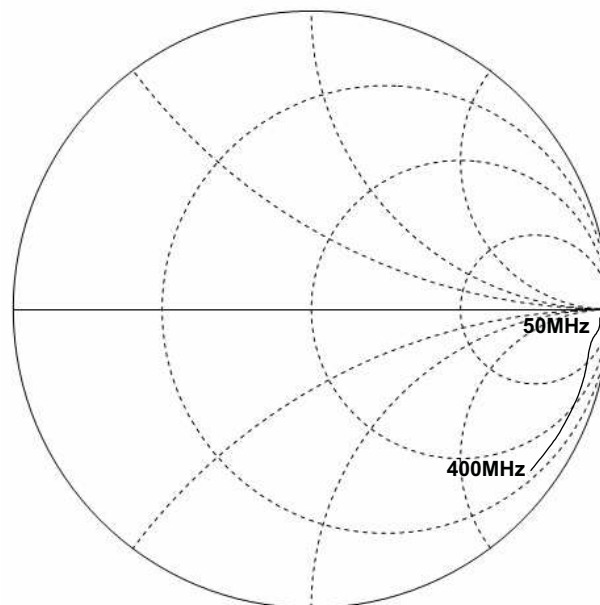


Figure 24. VHF Input

TYPICAL CHARACTERISTICS (continued)

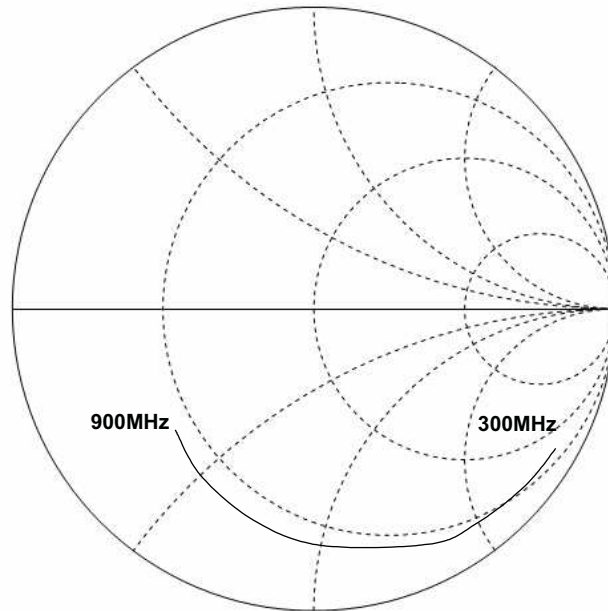


Figure 25. UHF Input

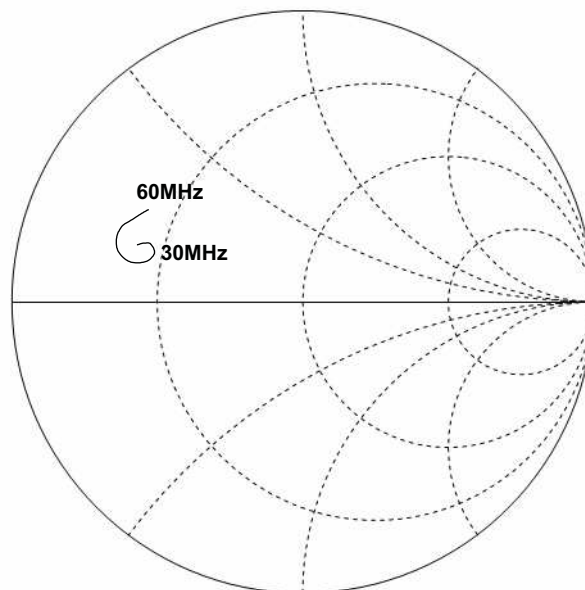


Figure 26. IF Output

PACKAGING INFORMATION

Orderable Device	Status (1)	Package Type	Package Drawing	Pins	Package Qty	Eco Plan (2)	Lead/Ball Finish (6)	MSL Peak Temp (3)	Op Temp (°C)	Device Marking (4/5)	Samples
SN761678BDBTR	OBSOLETE	TSSOP	DBT	30		TBD	Call TI	Call TI	-20 to 85	B1678B	
SN761678BDBTRG4	OBSOLETE	TSSOP	DBT	30		TBD	Call TI	Call TI	-20 to 85	B1678B	
SN761678BDCHR	OBSOLETE	TSSOP	DCH	30		TBD	Call TI	Call TI	-20 to 85	1678BDCH	

(1) The marketing status values are defined as follows:

ACTIVE: Product device recommended for new designs.

LIFEBUY: TI has announced that the device will be discontinued, and a lifetime-buy period is in effect.

NRND: Not recommended for new designs. Device is in production to support existing customers, but TI does not recommend using this part in a new design.

PREVIEW: Device has been announced but is not in production. Samples may or may not be available.

OBSOLETE: TI has discontinued the production of the device.

(2) Eco Plan - The planned eco-friendly classification: Pb-Free (RoHS), Pb-Free (RoHS Exempt), or Green (RoHS & no Sb/Br) - please check <http://www.ti.com/productcontent> for the latest availability information and additional product content details.

TBD: The Pb-Free/Green conversion plan has not been defined.

Pb-Free (RoHS): TI's terms "Lead-Free" or "Pb-Free" mean semiconductor products that are compatible with the current RoHS requirements for all 6 substances, including the requirement that lead not exceed 0.1% by weight in homogeneous materials. Where designed to be soldered at high temperatures, TI Pb-Free products are suitable for use in specified lead-free processes.

Pb-Free (RoHS Exempt): This component has a RoHS exemption for either 1) lead-based flip-chip solder bumps used between the die and package, or 2) lead-based die adhesive used between the die and leadframe. The component is otherwise considered Pb-Free (RoHS compatible) as defined above.

Green (RoHS & no Sb/Br): TI defines "Green" to mean Pb-Free (RoHS compatible), and free of Bromine (Br) and Antimony (Sb) based flame retardants (Br or Sb do not exceed 0.1% by weight in homogeneous material)

(3) MSL, Peak Temp. - The Moisture Sensitivity Level rating according to the JEDEC industry standard classifications, and peak solder temperature.

(4) There may be additional marking, which relates to the logo, the lot trace code information, or the environmental category on the device.

(5) Multiple Device Markings will be inside parentheses. Only one Device Marking contained in parentheses and separated by a "-" will appear on a device. If a line is indented then it is a continuation of the previous line and the two combined represent the entire Device Marking for that device.

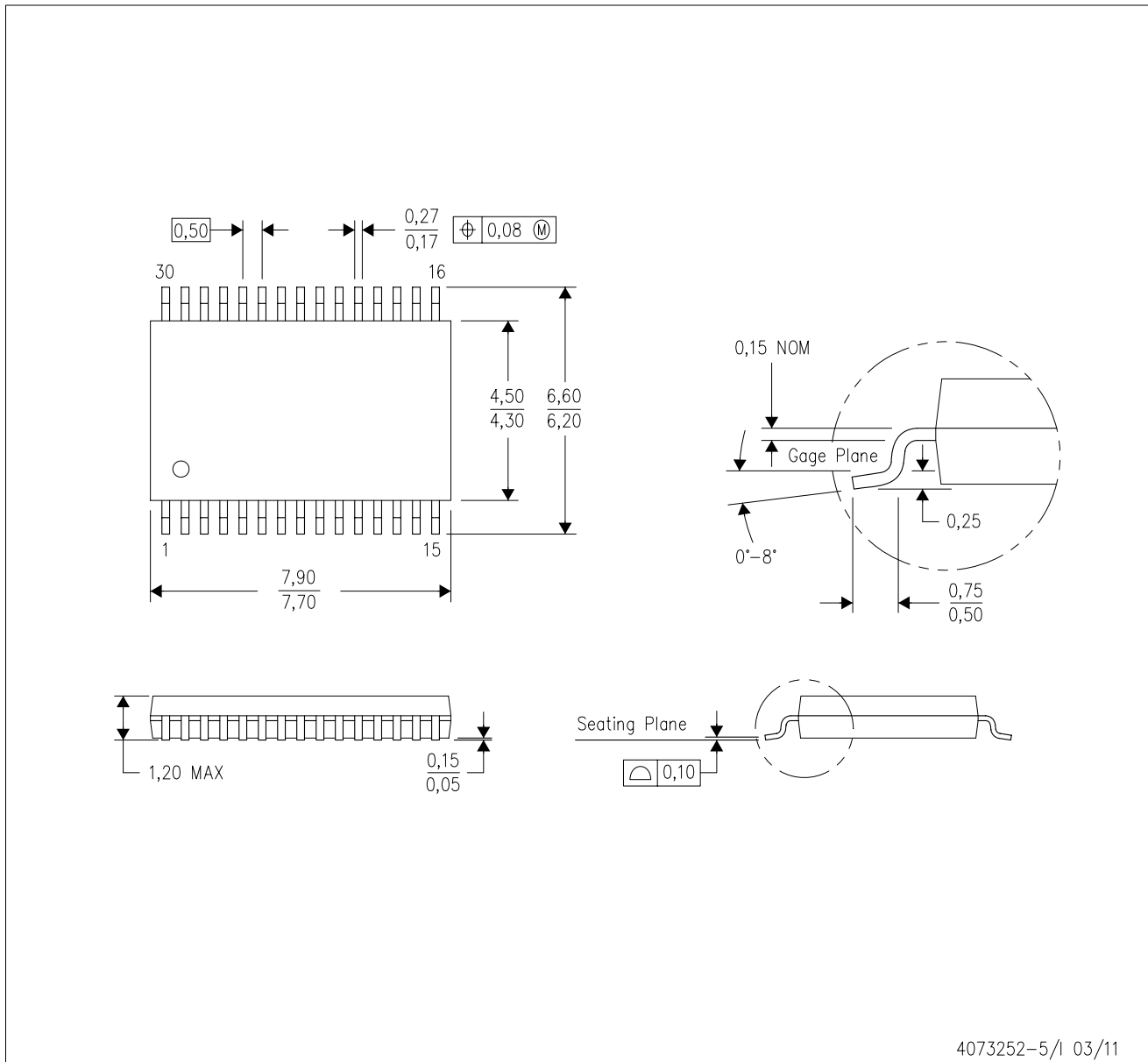
(6) Lead/Ball Finish - Orderable Devices may have multiple material finish options. Finish options are separated by a vertical ruled line. Lead/Ball Finish values may wrap to two lines if the finish value exceeds the maximum column width.

Important Information and Disclaimer: The information provided on this page represents TI's knowledge and belief as of the date that it is provided. TI bases its knowledge and belief on information provided by third parties, and makes no representation or warranty as to the accuracy of such information. Efforts are underway to better integrate information from third parties. TI has taken and continues to take reasonable steps to provide representative and accurate information but may not have conducted destructive testing or chemical analysis on incoming materials and chemicals. TI and TI suppliers consider certain information to be proprietary, and thus CAS numbers and other limited information may not be available for release.

In no event shall TI's liability arising out of such information exceed the total purchase price of the TI part(s) at issue in this document sold by TI to Customer on an annual basis.

DBT (R-PDSO-G30)

PLASTIC SMALL OUTLINE



- NOTES:
- A. All linear dimensions are in millimeters. Dimensioning and tolerancing per ASME Y14.5M-1994.
 - B. This drawing is subject to change without notice.
 - C. Body dimensions do not include mold flash or protrusion.
 - D. Falls within JEDEC MO-153.

IMPORTANT NOTICE

Texas Instruments Incorporated and its subsidiaries (TI) reserve the right to make corrections, enhancements, improvements and other changes to its semiconductor products and services per JESD46, latest issue, and to discontinue any product or service per JESD48, latest issue. Buyers should obtain the latest relevant information before placing orders and should verify that such information is current and complete. All semiconductor products (also referred to herein as "components") are sold subject to TI's terms and conditions of sale supplied at the time of order acknowledgment.

TI warrants performance of its components to the specifications applicable at the time of sale, in accordance with the warranty in TI's terms and conditions of sale of semiconductor products. Testing and other quality control techniques are used to the extent TI deems necessary to support this warranty. Except where mandated by applicable law, testing of all parameters of each component is not necessarily performed.

TI assumes no liability for applications assistance or the design of Buyers' products. Buyers are responsible for their products and applications using TI components. To minimize the risks associated with Buyers' products and applications, Buyers should provide adequate design and operating safeguards.

TI does not warrant or represent that any license, either express or implied, is granted under any patent right, copyright, mask work right, or other intellectual property right relating to any combination, machine, or process in which TI components or services are used. Information published by TI regarding third-party products or services does not constitute a license to use such products or services or a warranty or endorsement thereof. Use of such information may require a license from a third party under the patents or other intellectual property of the third party, or a license from TI under the patents or other intellectual property of TI.

Reproduction of significant portions of TI information in TI data books or data sheets is permissible only if reproduction is without alteration and is accompanied by all associated warranties, conditions, limitations, and notices. TI is not responsible or liable for such altered documentation. Information of third parties may be subject to additional restrictions.

Resale of TI components or services with statements different from or beyond the parameters stated by TI for that component or service voids all express and any implied warranties for the associated TI component or service and is an unfair and deceptive business practice. TI is not responsible or liable for any such statements.

Buyer acknowledges and agrees that it is solely responsible for compliance with all legal, regulatory and safety-related requirements concerning its products, and any use of TI components in its applications, notwithstanding any applications-related information or support that may be provided by TI. Buyer represents and agrees that it has all the necessary expertise to create and implement safeguards which anticipate dangerous consequences of failures, monitor failures and their consequences, lessen the likelihood of failures that might cause harm and take appropriate remedial actions. Buyer will fully indemnify TI and its representatives against any damages arising out of the use of any TI components in safety-critical applications.

In some cases, TI components may be promoted specifically to facilitate safety-related applications. With such components, TI's goal is to help enable customers to design and create their own end-product solutions that meet applicable functional safety standards and requirements. Nonetheless, such components are subject to these terms.

No TI components are authorized for use in FDA Class III (or similar life-critical medical equipment) unless authorized officers of the parties have executed a special agreement specifically governing such use.

Only those TI components which TI has specifically designated as military grade or "enhanced plastic" are designed and intended for use in military/aerospace applications or environments. Buyer acknowledges and agrees that any military or aerospace use of TI components which have **not** been so designated is solely at the Buyer's risk, and that Buyer is solely responsible for compliance with all legal and regulatory requirements in connection with such use.

TI has specifically designated certain components as meeting ISO/TS16949 requirements, mainly for automotive use. In any case of use of non-designated products, TI will not be responsible for any failure to meet ISO/TS16949.

Products

Audio	www.ti.com/audio
Amplifiers	amplifier.ti.com
Data Converters	dataconverter.ti.com
DLP® Products	www.dlp.com
DSP	dsp.ti.com
Clocks and Timers	www.ti.com/clocks
Interface	interface.ti.com
Logic	logic.ti.com
Power Mgmt	power.ti.com
Microcontrollers	microcontroller.ti.com
RFID	www.ti-rfid.com
OMAP Applications Processors	www.ti.com/omap
Wireless Connectivity	www.ti.com/wirelessconnectivity

Applications

Automotive and Transportation	www.ti.com/automotive
Communications and Telecom	www.ti.com/communications
Computers and Peripherals	www.ti.com/computers
Consumer Electronics	www.ti.com/consumer-apps
Energy and Lighting	www.ti.com/energy
Industrial	www.ti.com/industrial
Medical	www.ti.com/medical
Security	www.ti.com/security
Space, Avionics and Defense	www.ti.com/space-avionics-defense
Video and Imaging	www.ti.com/video

TI E2E Community

e2e.ti.com