



Overload relay, 4-6A, 1N/O+1N/C



Powering Business Worldwide™

Part no. ZB32-6
Article no. 278450
Catalog No. XT0B006CC1

Delivery programme

Product range
 Frame size
 Phase-failure sensitivity
 Description

Overload relay ZB up to 150 A
 ZB32
 IEC/EN 60947, VDE 0660 Part 102
 Test/off button
 Reset pushbutton manual/auto
 Trip-free release
 Direct mounting
 4 - 6

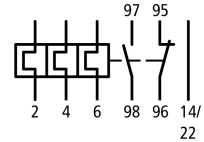
Mounting type



I_r

A

Contact sequence



Auxiliary contacts
 N/O = Normally open
 N/C = Normally closed
 For use with

1 N/O
 1 N/C
 DILM17, DILM25,
 DILM32,
 DILM38,
 DILMF8
 DILMF11
 DILMF14
 DILMF17
 DILMF25
 DILMF32
 DIULM17, DIULM25,
 DIULM32,
 SDAINLM30,
 SDAINLM45,
 SDAINLM55

Short-circuit protection
 Type "1" coordination

gG/gL

A

25



Type "2" coordination

gG/gL

A

20



Notes

Overload release: tripping class 10 A

Short-circuit protection: Observe the maximum permissible fuse of the contactor with direct device mounting.

Suitable for protection of Ex e-motors.



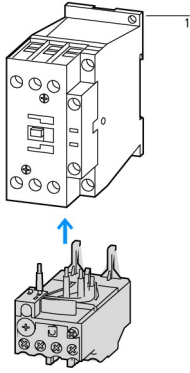
II (2) GD

PTB 10 ATEX 3010

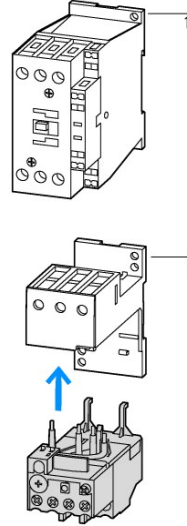
Observe manual MN03407004Z-DE/EN.

Notes

Fitted directly to the contactor



Separate mounting



1 Contactor
2 Bases

Approvals

Product Standards
UL File No.
UL Category Control No.
CSA File No.
CSA Class No.
North America Certification
Specially designed for North America
Suitable for
Max. Voltage Rating
Degree of Protection

UL 508; CSA-C22.2 No. 14; IEC/EN 60947-4-1; IEC/EN 60947-5-1; CE marking
E29184
NKCR
12528
3211-03
UL listed, CSA certified
No
Branch circuits
600 V AC
IEC: IP20, UL/CSA Type: -

General

Standards
Climatic proofing
Ambient temperature
Open
Enclosed
Temperature compensation
Weight
Mechanical shock resistance
Protection type
Protection against direct contact when actuated from front (EN 50274)

		IEC/EN 60947, VDE 0660, UL, CSA
		Damp heat, constant, to IEC 60068-2-78 Damp heat, cyclic, to IEC 60068-2-30
	°C	
		Operating range to IEC/EN 60947 PTB: -5 °C - +55 °C
	°C	- 25 - 55
	°C	- 25 - 40
		Continuous
	kg	0.15
	g	10 Sinusoidal Shock duration 10 ms
		IP20
		Finger and back-of-hand proof

Main conducting paths

Rated impulse withstand voltage
Overvoltage category/pollution degree
Rated insulation voltage
Rated operational voltage
Safe isolation to EN 61140
Between auxiliary contacts and main contacts
Between main circuits
Temperature compensation residual error > 40 °C
Current heat loss (3 conductors)
Lower value of the setting range
Maximum setting
Terminal capacities

U_{imp}	V AC	6000
		III/3
U_i	V	690
U_e	V AC	690
	V AC	440
	V AC	440
		\leq 0.25 %/K
	W	2.5
	W	6
	mm ²	

Solid	mm ²	2 x (1 - 6)
Flexible with ferrule	mm ²	2 x (1 - 4) With ferrules to DIN 46228
Solid or stranded	AWG	14 - 8
Terminal screw		M4
Tightening torque	Nm	1.8
Tools		
Pozidriv screwdriver	Size	2
Standard screwdriver	mm	1 x 6

Auxiliary and control circuits

Rated impulse withstand voltage	U _{imp}	V	4000
Overvoltage category/pollution degree			III/3
Terminal capacities			
Solid	mm ²		
Flexible with ferrule	mm ²		2 x (0.75...4)
Solid or stranded	mm ²		2 x (0.75 - 2.5)
Terminal screw	AWG		2 x (18 - 12)
Tightening torque			M3.5
Tools			
Pozidriv screwdriver	Size		2
Standard screwdriver	mm		1 x 6
Rated insulation voltage	U _i	V AC	500
Rated operational voltage	U _e	V AC	500
Safe isolation to EN 61140 between the auxiliary contacts		V AC	240
Conventional thermal current	I _{th}	A	6
Rated operational current	I _e	A	
AC-15			
Make contact			
120 V	I _e	A	1.5
220 V 230 V 240 V	I _e	A	1.5
380 V 400 V 415 V	I _e	A	0.5
500 V	I _e	A	0.5
Break contact			
120 V	I _e	A	1.5
220 V 230 V 240 V	I _e	A	1.5
380 V 400 V 415 V	I _e	A	0.9
500 V	I _e	A	0.8
DC-13 L/R - 15 ms			
24 V	I _e	A	0.9
60 V	I _e	A	0.75
110 V	I _e	A	0.4
220 V	I _e	A	0.2
Short-circuit rating without welding max. fuse		A gG/ gL	6

Notes

Notes Ambient air temperature: Operating range to IEC/EN 60947, PTB: -5°C to +55°C
Rated operational current: Making and breaking conditions to DC-13, time constant as stated
Main circuits terminal capacity solid and flexible conductors with ferrules: When using 2 conductors use equal cross-sections
See overlay "Fuses" for short-circuit strength time/current characteristic (please enquire)
6 mm flexible with ferrules to DIN 46228
Rated operational current DC-13, 60 V: N/O auxiliary contact 0.6 A

Technical data ETIM 5.0

Low-voltage industrial components (EG000017) / Thermal overload relay (EC000106)

Electric engineering, automation, process control engineering / Low-voltage switch technology / Overload protection device / Thermal overload relay (ecl@ss8-27-37-15-01 [AKF075010])

Adjustable current range

A

4 - 6

Mounting method

Direct attachment

Connection type main current circuit

Screw connection

Number of auxiliary contacts as normally closed contact

1

Number of auxiliary contacts as normally open contact

1

Number of auxiliary contacts as change-over contact

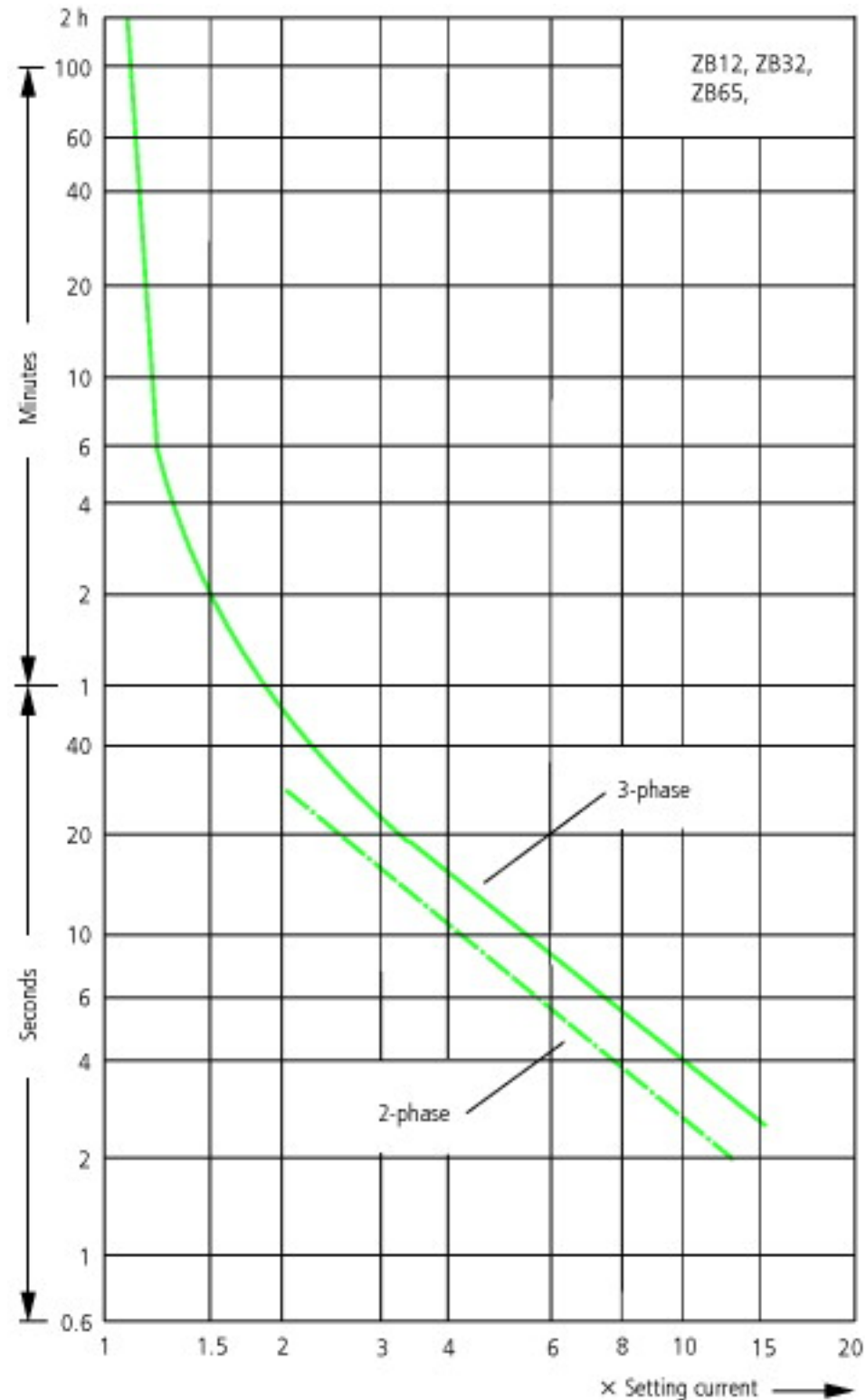
0

Release class

CLASS 10

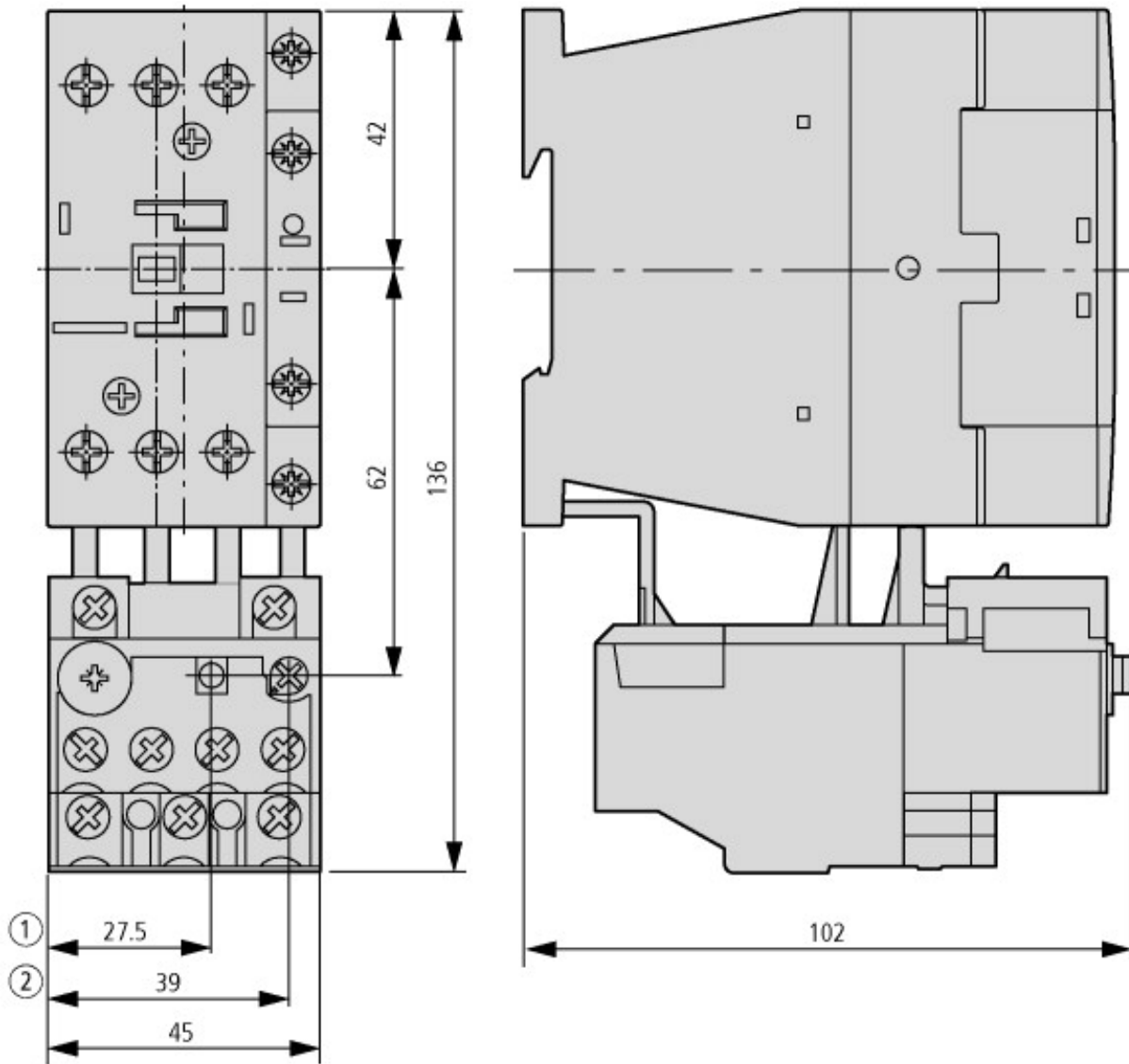
Characteristics

Characteristic curves

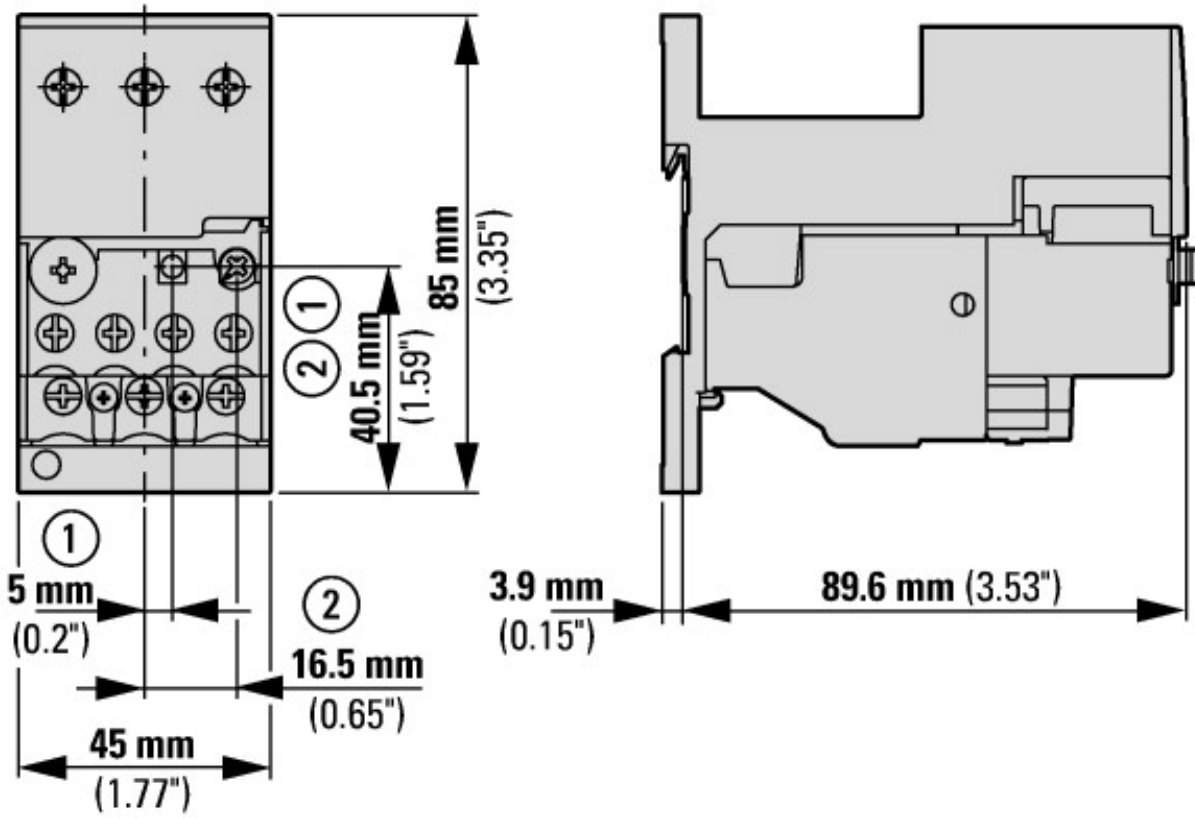


These tripping characteristics are mean values of the spread at 20 °C ambient temperature in a cold state. Tripping time depends on response current. On devices at operating temperature the tripping time of the overload relay drops to approx. 25 % of the read value. Specific characteristics for each individual setting range can be found in the manual.

Dimensions



- ① OFF
- ② Reset/ON



With base ZB32-XEZ

Additional product information (links)

IL03407015Z (AWA2300-2114) Overload relay

IL03407015Z (AWA2300-2114) Overload relay

ftp://ftp.moeller.net/DOCUMENTATION/AWA_INSTRUCTIONS/IL03407015Z2013_01.pdf