



ACTUATOR-/INDICATOR COMPONENT WITH
INTEGRATED LED 24V AC/DC LAMP HOLDER SCREW
TERMINAL RED

Contact block/ lampholder:	
Product designation	lampholder
Number of NC contacts / for auxiliary contacts	0
Number of NO contacts / for auxiliary contacts	0
Number of changeover contacts / for auxiliary contacts	0
Product function / positive opening	No
Number of lampholders	1
Execution of the mounting	integrated
Nature of fluorescent material	LED
Color / of the fluorescent material	red
Design of the electrical connection	screw-type terminals

General technical details:							
Degree of pollution	class 3						
Type of voltage / of the supply voltage / of light source	AC/DC						
Supply voltage / 1 / of the fluorescent material							
<ul style="list-style-type: none"> • at 60 Hz / for AC / rated value • at 50 Hz / for AC / rated value • for DC / rated value 	<table style="width: 100%; border: none;"> <tr> <td style="text-align: center; width: 10%;">V</td> <td style="text-align: center; width: 10%;">24</td> </tr> <tr> <td style="text-align: center;">V</td> <td style="text-align: center;">24</td> </tr> <tr> <td style="text-align: center;">V</td> <td style="text-align: center;">24</td> </tr> </table>	V	24	V	24	V	24
V	24						
V	24						
V	24						
Voltage type / of operating voltage	AC/DC						
Reference code							

<ul style="list-style-type: none"> • according to DIN EN 61346-2 • according to DIN 40719 extended according to IEC 204-2 / according to IEC 750 		P H
Ambient temperature		
<ul style="list-style-type: none"> • during operating • during storage 	°C °C	-25 ... +70 -25 ... +80
protection type IP		
<ul style="list-style-type: none"> • of the terminal • of the enclosure 		IP20 IP40
Operating voltage / 1 / at 50 Hz / for AC / rated value	V	24
Operating voltage / 1 / at 60 Hz / for AC / rated value	V	24
Operating voltage		
<ul style="list-style-type: none"> • 1 / for DC / rated value • at 50 Hz / at AC / rated value • at 60 Hz / at AC / rated value • for DC • rated value 	V V V V	24 21.6 ... 26.4 21.6 ... 26.4 21.6 ... 26.4
Suitability for integration		
<ul style="list-style-type: none"> • pressure selection button • front element • suspension switch • suspension pushbutton 		front element Yes Yes Yes Yes
Insulation voltage / rated value	V	250
Impulse voltage resistance / rated value	kV	4
Tightening torque / for auxiliary contacts / with screw-type terminals	N·m	0.8
Product component		
<ul style="list-style-type: none"> • fluorescent materials • diode • lamp transformer • series resistance 		Yes Yes No No
Mounting type		front mounting

Connections:

Type of the connectable conductor cross-section		
<ul style="list-style-type: none"> • for auxiliary contacts / solid • for auxiliary contacts / solid / with conductor end processing • for auxiliary contacts / finely stranded / with conductor end processing • for AWG conductors / for auxiliary contacts 		2x (1.0 ... 1.5 mm ²) 2x (0.5 ... 0.75 mm ²) 2x (0.5 ... 1.5 mm ²) 2x (18 ... 14)

Certificates/approvals:

General Product Approval



CCC



CSA

Declaration of Conformity



EG-Konf.

Test Certificates

[Special Test Certificate](#)

other

[Confirmation](#)

[Environmental Confirmations](#)

Further information:

Information- and Downloadcenter (Catalogs, Brochures,...)

<http://www.siemens.com/industrial-controls/catalogs>

Industry Mall (Online ordering system)

<http://www.siemens.com/industrial-controls/mall>

Cax online generator

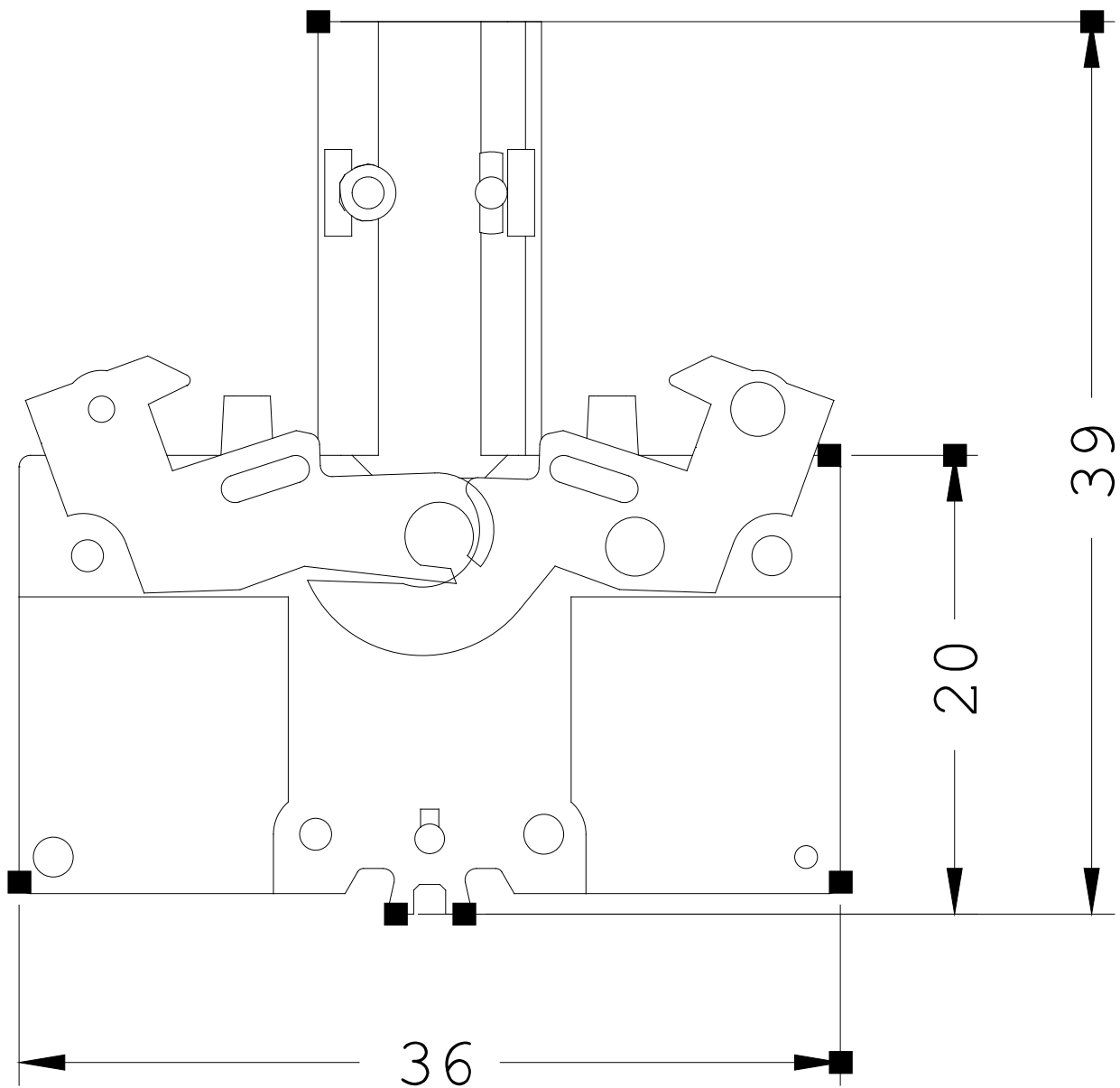
<http://www.siemens.com/cax>

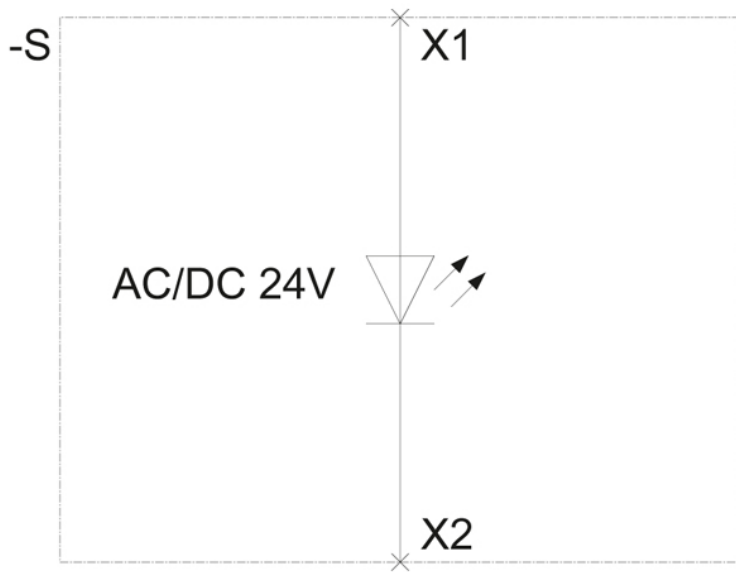
Service&Support (Manuals, Certificates, Characteristics, FAQs,...)

<http://support.automation.siemens.com/WWW/view/en/3SB3400-1PB/all>

Image database (product images, 2D dimension drawings, 3D models, device circuit diagrams, ...)

http://www.automation.siemens.com/bilddb/cax_en.aspx?mlfb=3SB3400-1PB





last change:

Mar 17, 2014