

# HARTING



Han-INOX®

Stainless Steel Hoods and Housings



## Features

- Stainless steel hoods and housings
- Stainless steel locking elements
- Resistant against aggressive detergents
- Fields of application
  - Food and beverage industry
  - Water and sewage industry
  - Pharmaceutical industry
  - Chemical industry
  - Offshore and shipbuilding

## Technical characteristics

Material	stainless steel
Sealing	NBR
Limiting temperatures	-40 °C ... +125 °C
Protection degree in locked position	IP 65
Locking lever	stainless steel

## General Information

### Fields of application

HARTING Industrial Connectors are applicable in a wide variety of electronic and electrical applications.

The degree of protection of all hoods and housings is in accordance with International Standard IEC 60 529.

- Power Utilities
- Robotics
- Chemical Plants
- Machine Tool Controls
- Injection Moulding
- Industrial Instrumentation
- Conveyor Equipment
- Transportation
- and many more.

### Specifications

VDE 0110 table concerning clearance and creepage distances  
VDE 0627 Connectors and plug devices

**Standards:** DIN EN 175 301 - 801  
DIN EN 61 984

### Approvals

UL, CSA for inserts

### Note

Connectors should not be coupled and decoupled under electrical load. Connectors of the same or different series being mounted side by side may be protected against incorrect mating by the use of coding options.

### General information


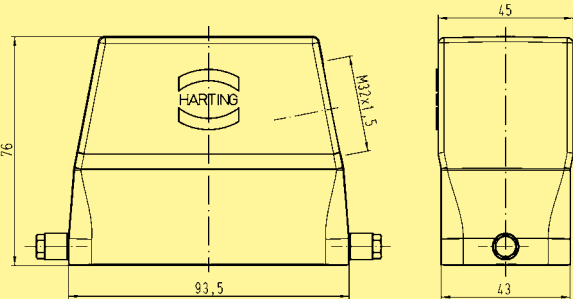

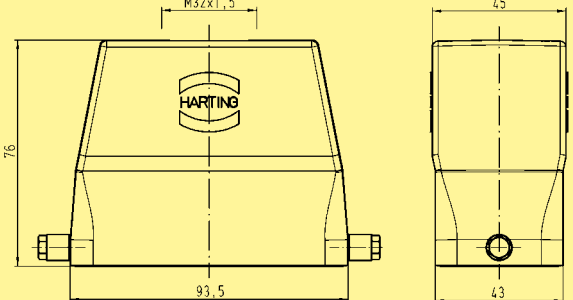

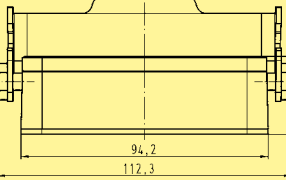
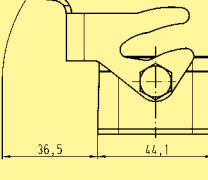
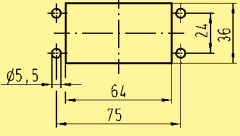


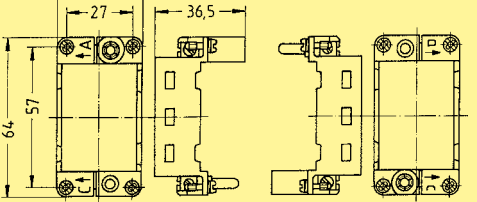
It is the user's responsibility to check whether the components illustrated in this catalogue comply with different regulations from those stated in special fields of application which we are unable to foresee.

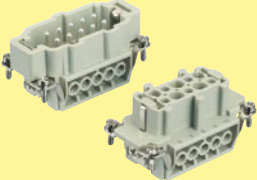
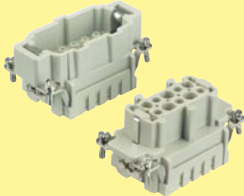
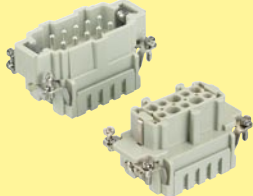
We reserve the right to modify designs in order to improve quality, keep pace with technological advancement or meet particular requirements in production.

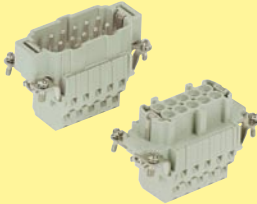

No part of this catalogue may be reproduced in any form (print, photocopy, microfilm or any other process) or processed, duplicated or distributed by means of electronic systems without the prior written consent of HARTING Electric GmbH & Co. KG, Espelkamp. We are bound by the German version only.

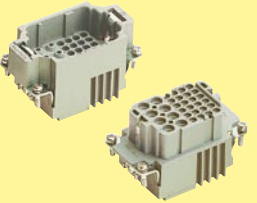




Certified according to EN ISO 9001 in design/development, production, installation and servicing

Identification	Part-Number	M	Drawing	Dimensions in mm
<p><b>Hood</b> side entry</p> 	<p>19 44 310 0547</p>	<p>32</p>		
<p><b>Hood</b> top entry</p> 	<p>19 44 310 0447</p>	<p>32</p>		
<p><b>Bulkhead mounted housing</b> with 1 metal locking lever</p> 	<p>19 44 310 0305</p>	<p>—</p>		 <p>Panel cut out</p> 
<p><b>Gasket</b> as spare part</p> 	<p>19 44 000 9902</p>	<p>—</p>		
<p><b>Han-Modular® frames</b> size 10 B</p>  <p>marking A..C marking a..c inserts see page 5</p>	<p>09 14 010 0303 09 14 010 0313</p>	<p>— —</p>		

Series	Han E®	Han E®	Han® ES
Number of contacts	10 + ⊕	10 + ⊕	10 + ⊕
Termination	Screw terminal with wire protection	Crimp terminal	Cage clamp terminal
Electrical data acc. to DIN EN 61 984			
UL/CSA 600 V			
Current / voltage	16 A / 500 V	16 A / 500 V	16 A / 500 V
Wire gauge	1 - 2.5 mm <sup>2</sup>	0.5 - 4 mm <sup>2</sup>	0.14 - 2.5 mm <sup>2</sup>
Male insert (M)	09 33 010 2601	09 33 010 2602	09 33 010 2616
Female insert (F)	09 33 010 2701	09 33 010 2702	09 33 010 2716





Series	Han® ESS	Han® EE	Han DD®
Number of contacts	10 + ⊕	18 + ⊕	42 + ⊕
Termination	Cage clamp terminal	Crimp terminal	Crimp terminal
Electrical data acc. to DIN EN 61 984			
UL/CSA 600 V			
Current / voltage	16 A / 500 V	16 A / 500 V	10 A / 250 V
Wire gauge	0.14 - 2.5 mm <sup>2</sup>	0.14 - 4 mm <sup>2</sup>	0.14 - 2.5 mm <sup>2</sup>
Male insert (M)	09 33 010 2672	09 32 018 3001	09 16 042 3001
Female insert (F)	09 33 010 2772	09 32 018 3101	09 16 042 3101





Series	Han-Com®	Han® HvES	Han Hv E®
Number of contacts	8/24 + ⊕	3 + ⊕ +2 add. contacts for safe high voltage conn.	3 + ⊕ +2 add. contacts for safe high voltage conn.
Termination	Crimp terminal	Cage clamp terminal	Crimp terminal
Electrical data acc. to DIN EN 61 984			
UL/CSA 600 V Relay contact 250 V			
Current	16 A / 10 A	16 A	16 A
Voltage	230/400 V / 160 V	830 V	830 V
Wire gauge	0.5-4 mm <sup>2</sup> / 0.14 -2.5 mm <sup>2</sup>	0.14 -2.5 mm <sup>2</sup>	0.14 -4.0 mm <sup>2</sup>
Male insert (M)	09 38 032 3001	09 34 003 2616	09 34 003 2602
Female insert (F)	09 38 032 3101	09 34 003 2716	09 34 003 2702

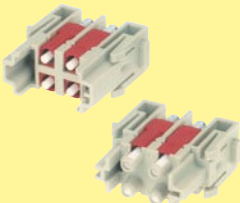


Identification	Han® Axial Screw Module	Han® Axial Screw Module	Han® Axial Screw Module	Han® Axial Screw Module
Number of contacts	1	2	2	3
Termination	Axial screw terminal	Axial screw terminal	Axial screw terminal	Axial screw terminal
Electrical data acc. to DIN EN 61 984				
Current / voltage	200 A / 1000 V	100 A / 1000 V	40 A / 1000 V	40 A / 690 V
Wire gauge	40 - 70 mm <sup>2</sup>	16 - 35 mm <sup>2</sup>	2.5 - 8 mm <sup>2</sup>	6 - 10 mm <sup>2</sup>
Male insert (M)	09 14 001 2662	09 14 002 2651	09 14 002 2601	09 14 003 2602
Female insert (F)	09 14 001 2762	09 14 002 2751	09 14 002 2701	09 14 003 2702

Identification	Han® C Module	Han® CC Protected Mod.	Han E® Module	Han® EE Module
Number of contacts	3	4	6	8
Termination	Crimp terminal	Crimp terminal	Crimp terminal	Crimp terminal
Electrical data acc. to DIN EN 61 984				
Current / voltage	40 A / 400/690 V	40 A / 830 V	16 A / 500 V	16 A / 400 V
Wire gauge	1.5 - 6 mm <sup>2</sup>	1.5 - 6 mm <sup>2</sup>	0.5 - 4 mm <sup>2</sup>	0.5 - 4 mm <sup>2</sup>
Male insert (M)	09 14 003 3001	09 14 004 3041	09 14 006 3001	09 14 008 3001
Female insert (F)	09 14 003 3101	09 14 004 3141	09 14 006 3101	09 14 008 3101

Identification	Han E® Protected Mod.	Han® EEE Module	Han® HV Module	Han® ES Module
Number of contacts	6	20	2	5
Termination	Axial screw terminal	Axial screw terminal	Axial screw terminal	Cage clamp terminal
Electrical data acc. to DIN EN 61 984				
Current / voltage	16 A / 830 V	16 A / 500 V	16 A / 2900/5000 V	16 A / 400 V
Wire gauge	0.5 - 4 mm <sup>2</sup>	0.5 - 4 mm <sup>2</sup>	0.5 - 4 mm <sup>2</sup>	0.14 - 2.5 mm <sup>2</sup>
Male insert (M)	09 14 006 3041	09 14 020 3001	09 14 002 3021	09 14 005 2616
Female insert (F)	09 14 006 3141	09 14 020 3101	09 14 002 3121	09 14 005 2716

Identification	Han DD® Module	Han® DDD Module	Han® High Density Module	Han® D-Sub Module
Number of contacts	12	17	25	9
Termination	Crimp terminal	Crimp terminal	Crimp terminal	Crimp terminal
Electrical data acc. to DIN EN 61 984				
Current / voltage	10 A / 250 V	10 A / 160 V	5 A / 50 V	5 A / 50 V
Wire gauge	0.14 - 2.5 mm <sup>2</sup>	0.14 - 2.5 mm <sup>2</sup>	0.09 - 0.56 mm <sup>2</sup>	0.09 - 0.56 mm <sup>2</sup>
Male insert (M)	09 14 012 3001	09 14 017 3001	09 14 025 3001	09 14 009 3001
Female insert (F)	09 14 012 3101	09 14 017 3101	09 14 025 3101	09 14 009 3101

Identification	Han® Dummy Module	Han-Quintax® Module	Han® FireWire Module	Han® USB Module
Number of contacts		2	1	
Electrical data acc. to DIN EN 61 984				
Current / voltage		5/10 A / 50 V		
Wire gauge		1.5 - 6 mm <sup>2</sup>		
Male insert (M)	09 14 000 9950	09 14 002 3001	09 14 001 4611	09 14 001 4601
Female insert (F)	09 14 000 9950	09 14 002 3101	09 14 001 4711	09 14 001 4701

Identification	Han® SC Module	Han® Multi Contact Module	Han® Pneumatic Module	Han® Pneumatic Module
Number of contacts	4	4	2	3
				
		Coaxial contacts F.O. contacts acc. to DIN EN 41 626	Tube internal diameter 6 mm	Tube internal diameter 4 mm
Male insert (M)	09 14 004 4701	09 14 004 4501	09 14 002 4501	09 14 003 4501
Female insert (F)	09 14 004 4711	09 14 004 4512	09 14 002 4501	09 14 003 4501

## Han-Modular® Contacts

Identification	SC contact	Coaxial contact	Pneumatic contact 6.0	Pneumatic contact 4.0
Male insert (M) Female insert (F) With shut off valve	20 10 125 5211	09 14 000 6211 09 14 000 6111	09 14 000 6174 09 14 000 6274 09 14 000 6279	09 14 000 6153 09 14 000 6253 09 14 000 6258

## Han-Quintax® Contacts

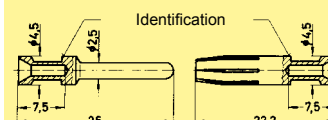
Number of contacts	4	1	8
Identification	Han-Quintax® contact	Han D® Coax contact	Han® High Density Quintax contact
Order crimp contacts separately			
Wire gauge	0.14 - 2.5 mm <sup>2</sup>	0.14 - 2.5 mm <sup>2</sup>	0.13 - 0.52 mm <sup>2</sup>
Male insert (M) Female insert (F)	09 15 004 3013 09 15 004 3113	09 15 001 3013 09 15 001 3113	09 15 008 3013 09 15 008 3113

## Crimp Contacts

**Han E® contacts (16 A)**  
for Han E®, Han® EE,  
Han® Q, Han-Modular®,  
Han-Com®, Han-Brid®,  
Han Hv E®

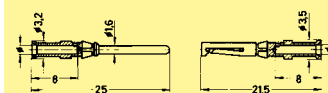
Part-Number		Identifica- tion	Wire gauge	
Male contact	Female contact		mm <sup>2</sup>	AWG
09 33 000 6121	09 33 000 6220	no groove	0.5	20
09 33 000 6114	09 33 000 6214	1 groove*	0.75	18
09 33 000 6105	09 33 000 6205	1 groove	1	18
09 33 000 6104	09 33 000 6204	2 grooves	1.5	16
09 33 000 6102	09 33 000 6202	3 grooves	2.5	14
09 33 000 6107	09 33 000 6207	no groove	4	12

\* on the back crimp collar



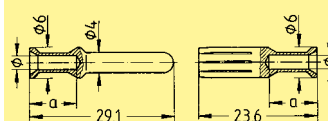
**Han D® contacts (10 A)**  
for Han D®, Han DD®,  
Han-Modular®, Han-Com®

Part-Number		ø mm	Wire gauge	
Male contact	Female contact		mm <sup>2</sup>	AWG
09 15 000 6104	09 15 000 6204	0.8	0.14-0.37	26 - 22
09 15 000 6103	09 15 000 6203	1.1	0.5	20
09 15 000 6105	09 15 000 6205	1.3	0.75	18
09 15 000 6102	09 15 000 6202	1.45	1	18
09 15 000 6101	09 15 000 6201	1.75	1.5	16
09 15 000 6106	09 15 000 6206	2.25	2.5	14



**Han® C contacts (40 A)**  
for Han-Modular®

Part-Number		ø mm	Wire gauge	
Male contact	Female contact		mm <sup>2</sup>	AWG
09 32 000 6104	09 32 000 6204	1.75	1.5	16
09 32 000 6105	09 32 000 6205	2.25	2.5	14
09 32 000 6107	09 32 000 6207	2.85	4	12
09 32 000 6108	09 32 000 6208	3.5	6	10



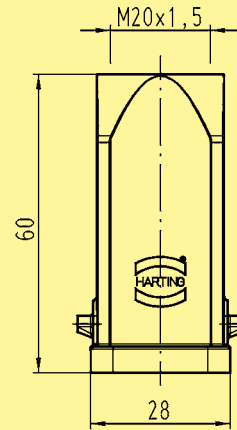
Identification	Part-Number	M	Drawing	Dimensions in mm
----------------	-------------	---	---------	------------------

**Hood**

top entry  
with glued sealing

19 44 003 1440  
19 44 003 1443

M20  
M20

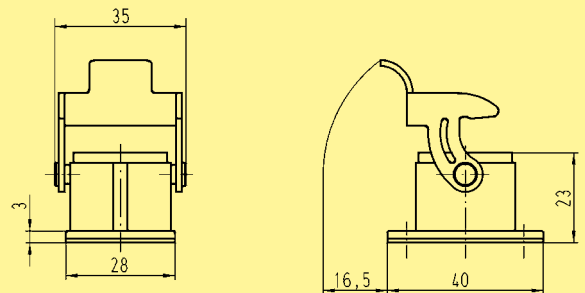


**Bulkhead mounted housing**

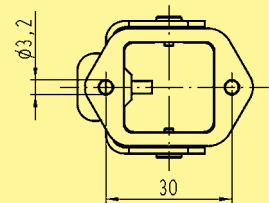
with 1 metal locking lever

19 44 003 0301

—



Panel cut out  
22 x 22 mm



**Cable gland**







stainless steel




19 44 000 5082





M20











Series	Han-Brid® RJ45 C	Han-Brid® RJ45 C	Han-Brid® RJ45 C
Number of contacts	2/4 + 	2/8 + 	2/8 + 
Identification	HARTING RJ Industrial®	RJ45	RJ45
Electrical data acc. to DIN EN 61 984 Han D® contacts			
Current / voltage Han D® Wire gauge	10 A / 50 V 0.14 - 2.5 mm <sup>2</sup>	10 A / 50 V 0.14 - 2.5 mm <sup>2</sup>	10 A / 50 V 0.14 - 2.5 mm <sup>2</sup>
Male insert (M) Female insert (F)	09 12 003 3011	09 12 003 3021	09 12 003 3031

Series	Han-Brid® RJ45 C	Han-Brid® RJ45 C	Han-Brid® RJ45 C
Number of contacts	2/8	2/8	2/4
Identification	Panel feed through, straight	Panel feed through, angled	Latching part / panel feed through 4-wires
Electrical data acc. to DIN EN 61 984 Han D® contacts			
Current / voltage Han D® Wire gauge	10 A / 50 V 0.14 - 2.5 mm <sup>2</sup>	10 A / 50 V 0.14 - 2.5 mm <sup>2</sup>	10 A / 50 V 0.14 - 2.5 mm <sup>2</sup>
Male insert (M) Female insert (F)	09 12 003 2774	09 12 003 2776	09 12 003 2770

Series	Han-Brid® Cu	Han-Brid® Cu	Han-Brid® Cu	Han-Brid® Cu
Number of contacts	4/2	4/2	4/2	4/2
Identification	Cable side	Device side	Panel feed through with cage clamp terminal	Latching part Panel feed through
Electrical data acc. to DIN EN 61 984				
Current / voltage Wire gauge	10 A / 25 V 0.14 - 2.5 mm <sup>2</sup>	10 A / 25 V 0.14 - 2.5 mm <sup>2</sup>	10 A / 25 V 0.14 - 2.5 mm <sup>2</sup>	10 A / 25 V 0.14 - 2.5 mm <sup>2</sup>
Male insert (M) Female insert (F)	09 12 006 3111 09 12 006 3001	09 12 006 2611 09 12 006 2701	09 12 006 2695 09 12 006 2795	09 12 006 2694 09 12 006 2794

Series	Han® 8 D	Han A®	Han A®
Number of contacts	8	3 + ⊕	4 + ⊕
Termination	Crimp terminal	Screw terminal	Screw terminal
Electrical data acc. to DIN EN 61 984			
UL/CSA 600 V			
Current / voltage	10 A / 50 V	10 A / 230/400 V	10 A / 230/400 V
Wire gauge	0.14 - 2.5 mm <sup>2</sup>	0.14 - 2.5 mm <sup>2</sup>	0.14 - 2.5 mm <sup>2</sup>
Male insert (M)	09 36 008 3001	09 20 003 2611	09 20 004 2611
Female insert (F)	09 36 008 3101	09 20 003 2711	09 20 004 2711

Series	Han® Q	Han® Q	Han® Q
Number of contacts	5 + ⊕	7 + ⊕	2 + ⊕
Termination	Crimp terminal	Crimp terminal	Axial screw terminal
Electrical data acc. to DIN EN 61 984			
UL/CSA 600 V			
Current / voltage	16 A / 230/400 V	10 A / 400 V	40 A / 400 V
Wire gauge	0.14 - 2.5 mm <sup>2</sup>	0.14 - 2.5 mm <sup>2</sup>	4 - 6 mm <sup>2</sup>
Male insert (M)	09 12 005 3001	09 12 007 3001	09 12 002 2652
Female insert (F)	09 12 005 3101	09 12 007 3101	09 12 002 2752

Series	Staf® 6	Staf® 6	Han® 3 A SC
Number of contacts	6	6	4
Termination	Solder terminal	Screw terminal	
Electrical data acc. to DIN EN 61 984			
UL/CSA 50 V			
Current / voltage	10 A / ~25 V/-60 V	10 A / ~25 V/-60 V	
Wire gauge	2.5 mm <sup>2</sup>	1.5 mm <sup>2</sup>	
Male insert (M)	09 70 006 2812	09 70 006 2813	09 20 004 4711
Female insert (F)	09 70 006 2615	09 70 006 2616	09 20 004 4701





**Pushing Performance**

[www.HARTING.com](http://www.HARTING.com)