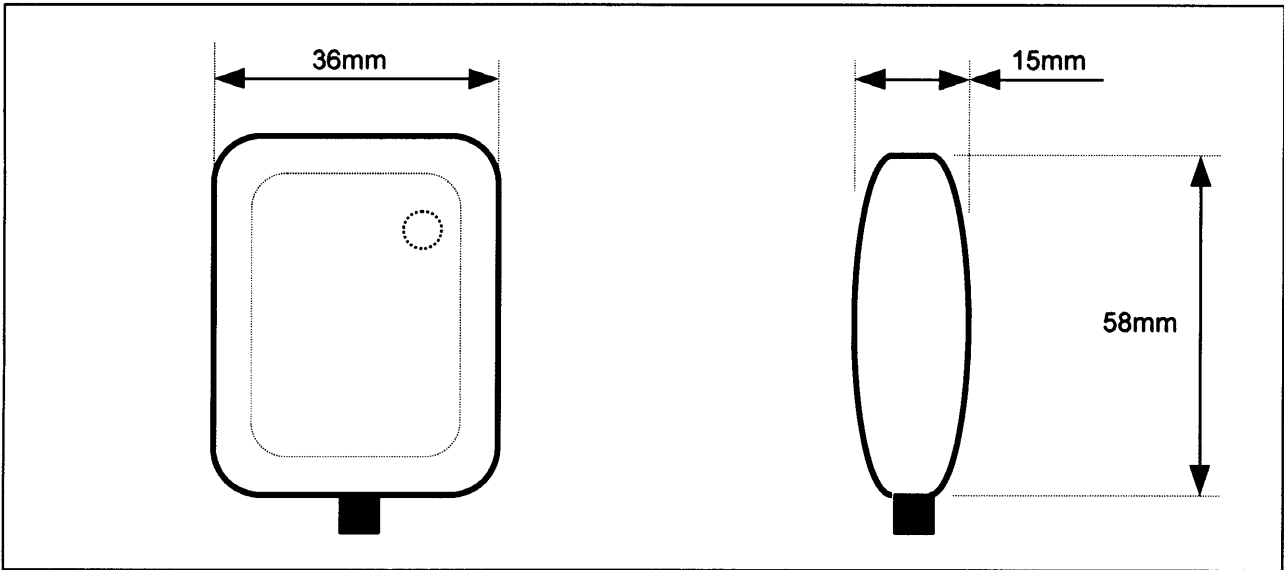


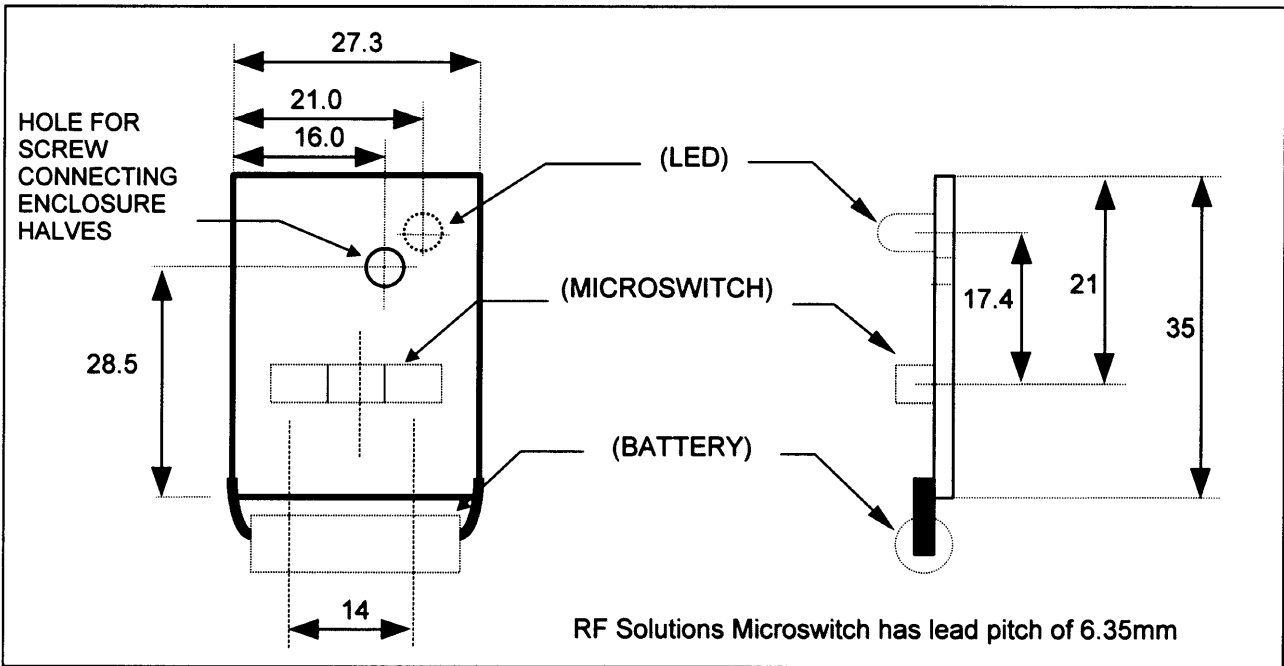
561 - 423
- 435

AM-TX1-CASE, AM-TX2-CASE

MECHANICAL DIMENSIONS



RECOMENDED PCB MECHANICAL DIMENSIONS



FEATURES

- Tough ABS construction.
- One or two switch options.
- OEM Customisable Mylar sticker
- Accepts GP27A types battery.

OTHER ACCESSORIES AVAILABLE

A variety of accessories are available for the keyfob assembly including;

- Custom Design OEM sticker
- Battery Connectors
- Switches
- Silicone Rubber Seal