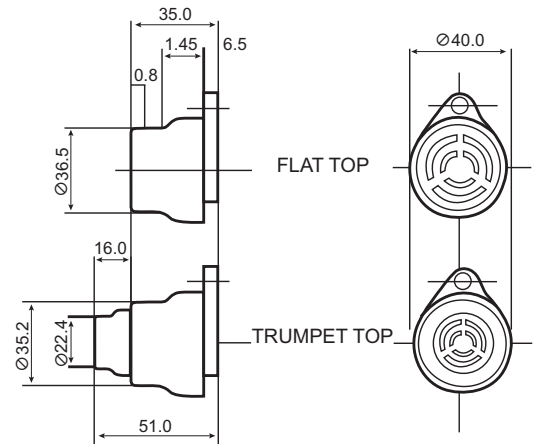


Acoustic Signals **INDUSTRIAL BUZZERS**



Acoustic Signals Industrial Buzzers > AE30M Series

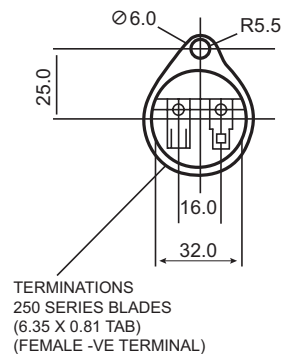
Product overview

The AE30M Flat top & Trumpet top miniature buzzers are suitable for automotive, security and light industrial applications where local indication is required.

The buzzers offer a single stage alarm and produce a rich, high quality and low frequency signal

when compared to other piezo type alarms.

The slightly lower dB is more than compensated by lower frequency of sound output produced. The single point fix and compact design allows for installation in most locations. The units are colour coded, Black = 12vDc & Red = 24vDc. These products were formerly supplied by Klaxon.



Features

- Continuously rated
- Economical
- Suitable for panel or surface mounting
- Produces a high quality sound
- Termination by male & female spade terminals
- Wide operating voltage
- Compact design

Material

ABS Plastic

AE30M Series > Ordering Information

Code No:	Voltage:	Frequency:	Current:
Flat Top			
AE30M-FT-01	6-14v Dc ---	450Hz	30 mA •
AE30M-FT-02	10-28v Dc ---	450Hz	25 mA ••
Trumpet Top			
AE30M-TT-01	6-14v Dc ---	450Hz	30 mA •
AE30M-TT-02	10-28v Dc ---	450Hz	25 mA ••

• at 12v Dc --- •• at 24v Dc ---
Frequency +/- 20 Hz dB at prime voltage +/- 3dB

Kg 0.28

°C -20+60

IP 34

dB 80/90

INDUSTRIAL

AUTOMOTIVE

APPROVALS and
CONFORMITIES

