

Introducing
Low Profile Micro
MATE-N-LOK
Connector System



Low Profile Micro MATE-N-LOK Connector System



KEY FEATURES

- Less than 4.7 mm in vertical height required
- Right angle surface mount headers with surface mount hold-downs
- Positive latching to prevent unmating
- 2, 3, and 4 positions available
- Black and natural colors available
- Utilizes standard Micro MATE-N-LOK contacts with 24-20 and 30-26 AWG wire ranges

DESCRIPTION

The Low Profile Micro MATE-N-LOK connector system features an ultra-slim design with the reliability and performance of the Micro MATE-N-LOK line of connectors

APPLICATIONS

Ideal for LED Lighting applications

ELECTRICAL

Current Rating: 5Amp (20 AWG)

Voltage Rating: 250 VAC

MATERIALS

Phosphor bronze, pre-tin or gold plated contacts

Nylon UL 94V-0 receptacle housings

High temperature nylon headers

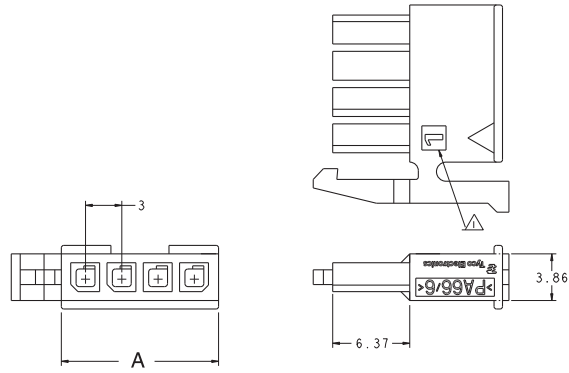
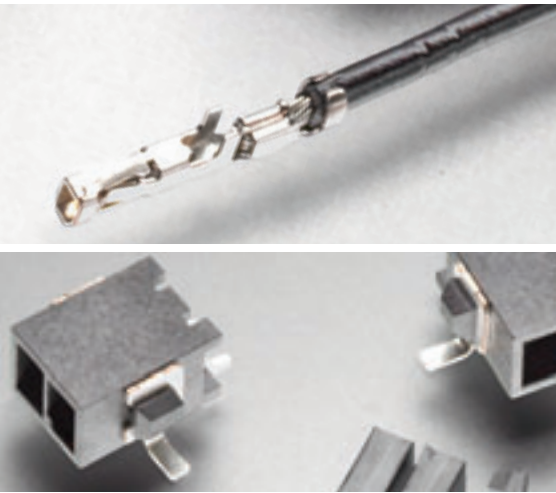
STANDARDS AND SPECS

Product Spec: 108-1836

Application Spec: 114-13000

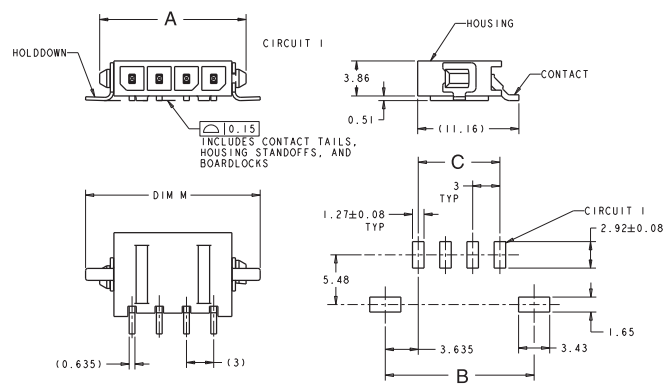
Low Profile Micro MATE-N-LOK Connector System

LOW PROFILE RECEPTACLE HOUSINGS



| Positions | Color | Dimension A (in [mm]) | Part Number |
|-----------|---------|-----------------------|-------------|
| 2 | Black | .276 [7] | 2029047-2 |
| 3 | Black | .394 [10] | 2029047-3 |
| 4 | Black | .512 [13] | 2029047-4 |
| 2 | Natural | .276 [7] | 2029102-2 |
| 3 | Natural | .394 [10] | 2029102-3 |
| 4 | Natural | .512 [13] | 2029102-4 |

LOW PROFILE RIGHT ANGLE SURFACE MOUNT HEADERS



| Positions | Color | Dimension (in [mm]) | | | Part Number |
|-----------|---------|---------------------|-------------|----------|-------------|
| | | A | B | C | |
| 2 | Black | .394 [10] | .410 [10.4] | .118 [3] | 2029030-2 |
| 3 | Black | .512 [13] | .528 [13.4] | .263 [6] | 2029030-3 |
| 4 | Black | .630 [16] | .646 [16.4] | .354 [9] | 2029030-4 |
| 2 | Natural | .394 [10] | .410 [10.4] | .118 [3] | 2029104-2 |
| 3 | Natural | .512 [13] | .528 [13.4] | .263 [6] | 2029104-3 |
| 4 | Natural | .630 [16] | .646 [16.4] | .354 [9] | 2029104-4 |

FOR MORE INFORMATION

Technical Support

| | |
|----------------|-----------------|
| USA: | 1-800-522-6752 |
| Canada: | 1-905-470-4425 |
| Mexico: | 1-800-733-8926 |
| C. America: | 52-55-1106-0803 |
| South America: | 55-11-2103-6000 |
| Hong Kong: | 852-2735-1628 |
| Japan: | 81-44-844-8013 |
| UK: | 44-8706-080208 |

te.com/industry/appliances

© 2014 Tyco Electronics Shanghai Co., Ltd, a TE Connectivity Ltd. Company. All Rights Reserved.

TE Connectivity, TE connectivity (logo) and MATE- N-LOK are trademarks.

Other products, logos and company names mentioned herein may be trademarks of their respective owners.

