

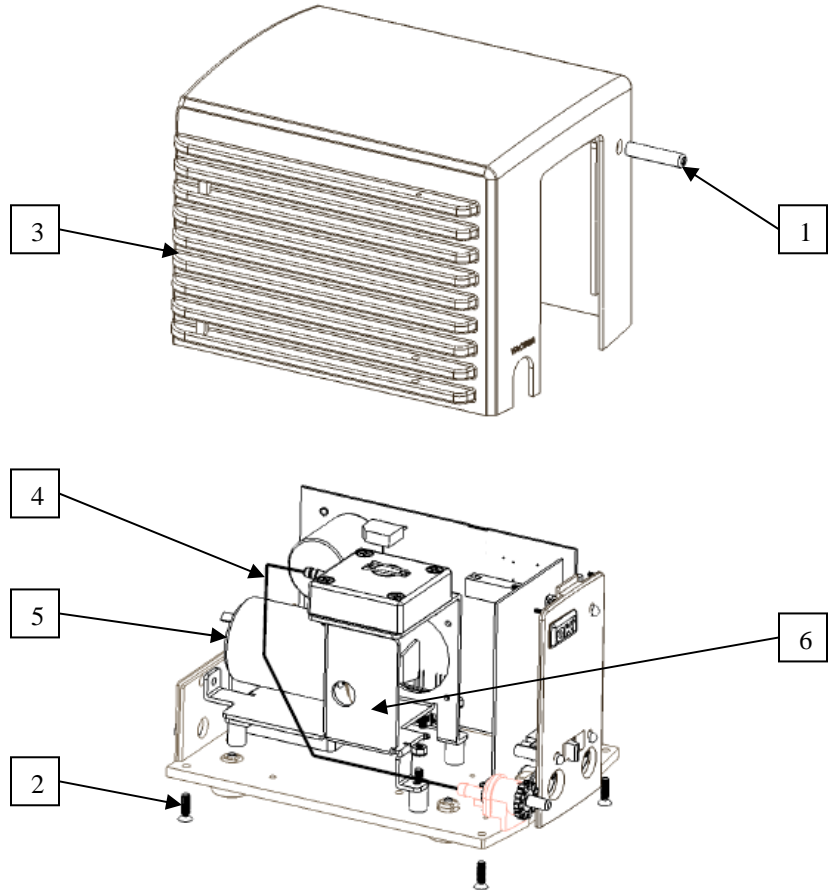
MFR PUMP REBUILD KIT (AC-PR1)

SWITCH OFF POWER AND UNPLUG UNIT FROM POWER OUTLET BEFORE SERVICING

- a) Remove the power switch activator item 1 by pulling straight out (use a pliers be careful not to damage plastic part).
- b) Turn unit over and remove the 4 screws item 2 and lift top cover item 3 off.
- c) Unplug the vacuum line item 4 from pump item 5 and disconnect its electrical connector from the PCBA.
- d) Remove the 3 nuts from item 6 by holding the pump down.
- e) Remove the pump.
- f) Remove the 4 screws item 7 and lift pump head item 8 off.
- g) Remove the 1 screw item 9 and plate item 10.
- h) Remove the rubber diaphragm item 11.
- i) To replace the pump, head and diaphragm repeats steps a) through i) in reverse.

MFR PUMP REPLACEMENT (AC-PM1)
SWITCH OFF POWER AND UNPLUG UNIT FROM
POWER OUTLET BEFORE SERVICING

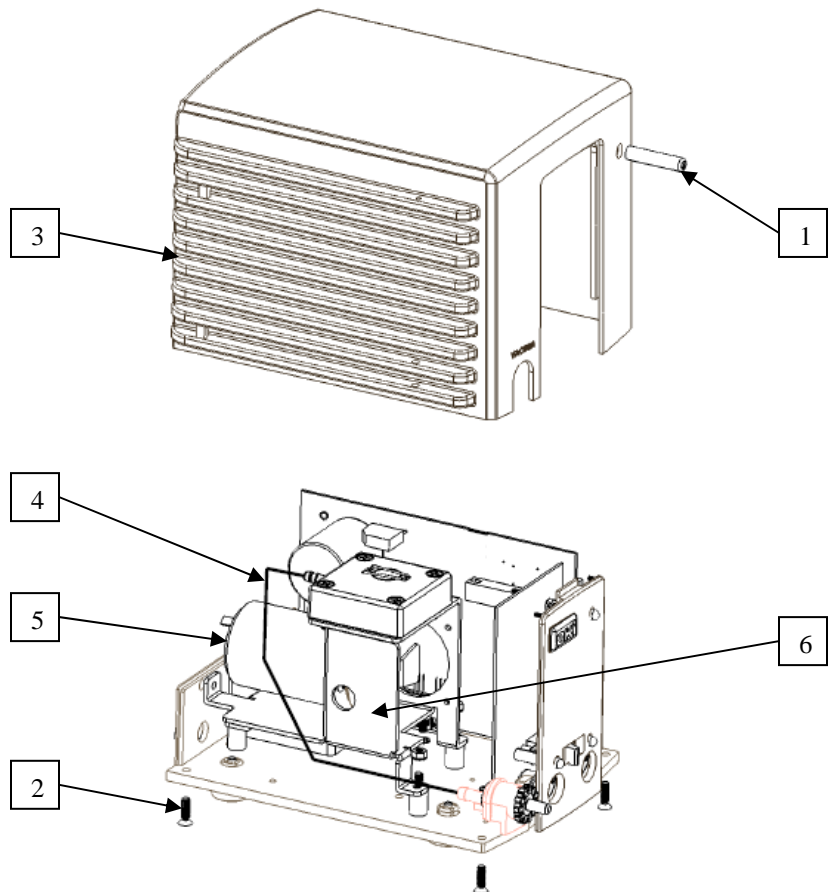
- a) Remove the power switch activator item 1 by pulling straight out (use a pliers be careful not to damage plastic part).
- b) Turn unit over and remove the 4 screws item 2 and lift top cover item 3 off.
- c) Unplug the vacuum line item 4 from pump item 5 and disconnect its electrical connector from the PCBA.
- d) Remove the 3 nuts from item 6 by holding the pump down.
- e) To replace pump repeat steps a) through e) in reverse.



7000-3320 1

MFR PUMP REPLACEMENT (AC-PM1)
SWITCH OFF POWER AND UNPLUG UNIT FROM
POWER OUTLET BEFORE SERVICING

- a) Remove the power switch activator item 1 by pulling straight out (use a pliers be careful not to damage plastic part).
- b) Turn unit over and remove the 4 screws item 2 and lift top cover item 3 off.
- c) Unplug the vacuum line item 4 from pump item 5 and disconnect its electrical connector from the PCBA.
- d) Remove the 3 nuts from item 6 by holding the pump down.
- e) To replace pump repeat steps a) through e) in reverse.



7000-3320 1