

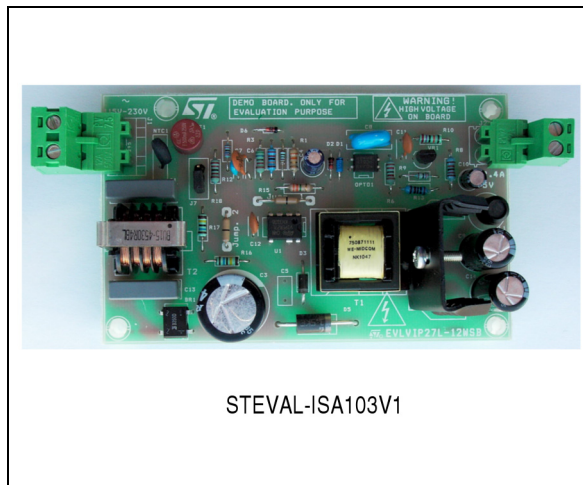


Wide range (90 V - 265 V) input, 5 V - 12 W output demonstration board with improved standby performance based on VIPER27LN

Data brief – preliminary data

## Features

- $V_{in}$ : 90 V - 265 V
- $V_{out}$ : 5 V
- $P_{out}$ : 12 W
- Very low standby consumption
- Overload protection
- Secondary winding short-circuit protection
- Output overvoltage protection
- Brownout protection
- ENERGY STAR® compliant
- RoHS compliant



## Description

The STEVAL-ISA103V1 is a wide range input demonstration board based on the VIPER27LN and suitable for several consumer applications, such as LCD or plasma TVs, some models of DVD recorders, set-top boxes with hard disk, and also desktop computers.

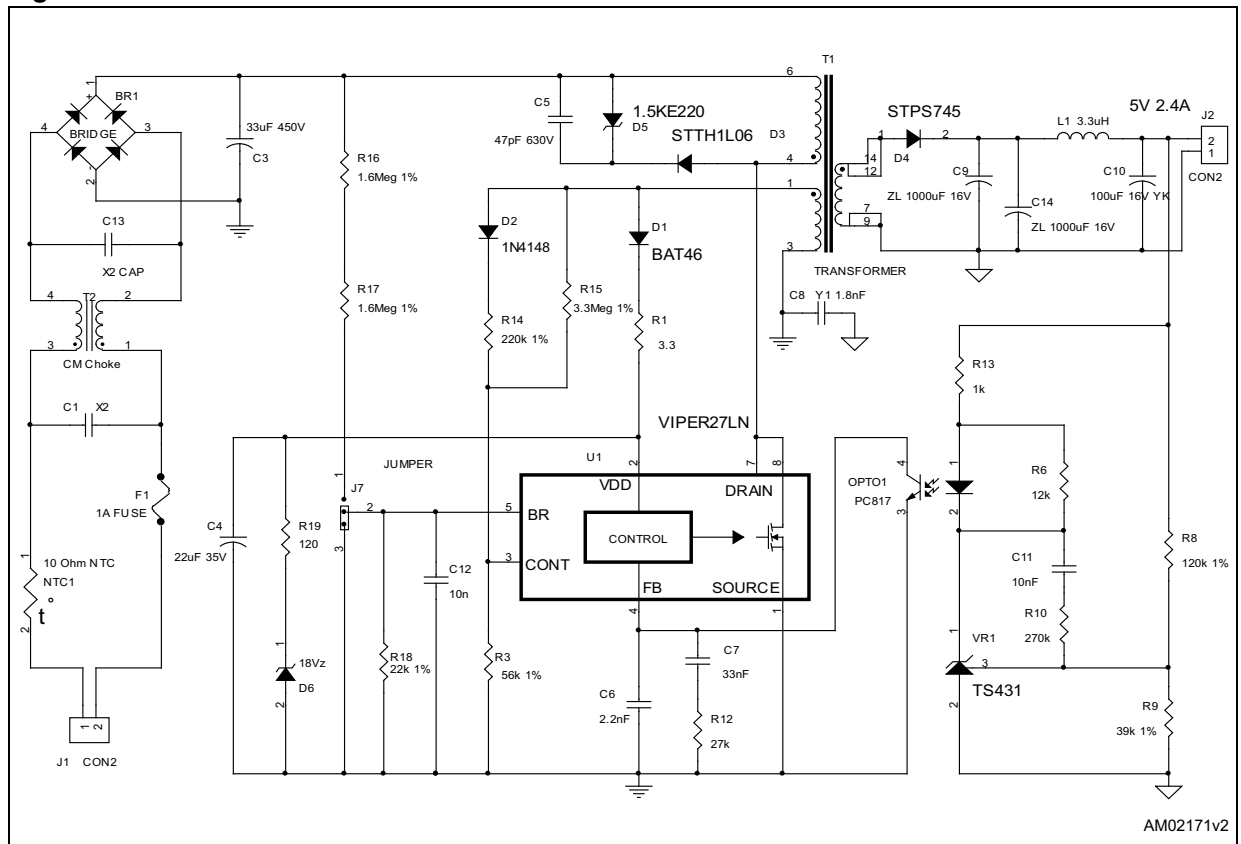
The STEVAL-ISA103V1 includes two modules: the main power supply that provides most of the power and is off when the application is in standby mode and the auxiliary power supply that provides energy for specific peripherals such as USB ports, remote receivers, and modems.

The auxiliary power supply is also on when the application is in standby mode and it is often required that its input power be as low as possible.

The STEVAL-ISA103V1 meets the specifications of a wide range of auxiliary power supplies for the above mentioned applications and is optimized for very low standby consumption, helping to meet the most stringent energy-saving requirements.

# 1 Circuit schematic

Figure 1. Circuit schematic



## 2 Revision history

**Table 1. Document revision history**

Date	Revision	Changes
08-Mar-2012	1	Initial release.

**Please Read Carefully:**

Information in this document is provided solely in connection with ST products. STMicroelectronics NV and its subsidiaries ("ST") reserve the right to make changes, corrections, modifications or improvements, to this document, and the products and services described herein at any time, without notice.

All ST products are sold pursuant to ST's terms and conditions of sale.

Purchasers are solely responsible for the choice, selection and use of the ST products and services described herein, and ST assumes no liability whatsoever relating to the choice, selection or use of the ST products and services described herein.

No license, express or implied, by estoppel or otherwise, to any intellectual property rights is granted under this document. If any part of this document refers to any third party products or services it shall not be deemed a license grant by ST for the use of such third party products or services, or any intellectual property contained therein or considered as a warranty covering the use in any manner whatsoever of such third party products or services or any intellectual property contained therein.

**UNLESS OTHERWISE SET FORTH IN ST'S TERMS AND CONDITIONS OF SALE ST DISCLAIMS ANY EXPRESS OR IMPLIED WARRANTY WITH RESPECT TO THE USE AND/OR SALE OF ST PRODUCTS INCLUDING WITHOUT LIMITATION IMPLIED WARRANTIES OF MERCHANTABILITY, FITNESS FOR A PARTICULAR PURPOSE (AND THEIR EQUIVALENTS UNDER THE LAWS OF ANY JURISDICTION), OR INFRINGEMENT OF ANY PATENT, COPYRIGHT OR OTHER INTELLECTUAL PROPERTY RIGHT.**

**UNLESS EXPRESSLY APPROVED IN WRITING BY TWO AUTHORIZED ST REPRESENTATIVES, ST PRODUCTS ARE NOT RECOMMENDED, AUTHORIZED OR WARRANTED FOR USE IN MILITARY, AIR CRAFT, SPACE, LIFE SAVING, OR LIFE SUSTAINING APPLICATIONS, NOR IN PRODUCTS OR SYSTEMS WHERE FAILURE OR MALFUNCTION MAY RESULT IN PERSONAL INJURY, DEATH, OR SEVERE PROPERTY OR ENVIRONMENTAL DAMAGE. ST PRODUCTS WHICH ARE NOT SPECIFIED AS "AUTOMOTIVE GRADE" MAY ONLY BE USED IN AUTOMOTIVE APPLICATIONS AT USER'S OWN RISK.**

Resale of ST products with provisions different from the statements and/or technical features set forth in this document shall immediately void any warranty granted by ST for the ST product or service described herein and shall not create or extend in any manner whatsoever, any liability of ST.

ST and the ST logo are trademarks or registered trademarks of ST in various countries.

Information in this document supersedes and replaces all information previously supplied.

The ST logo is a registered trademark of STMicroelectronics. All other names are the property of their respective owners.

© 2012 STMicroelectronics - All rights reserved

STMicroelectronics group of companies

Australia - Belgium - Brazil - Canada - China - Czech Republic - Finland - France - Germany - Hong Kong - India - Israel - Italy - Japan - Malaysia - Malta - Morocco - Philippines - Singapore - Spain - Sweden - Switzerland - United Kingdom - United States of America

[www.st.com](http://www.st.com)