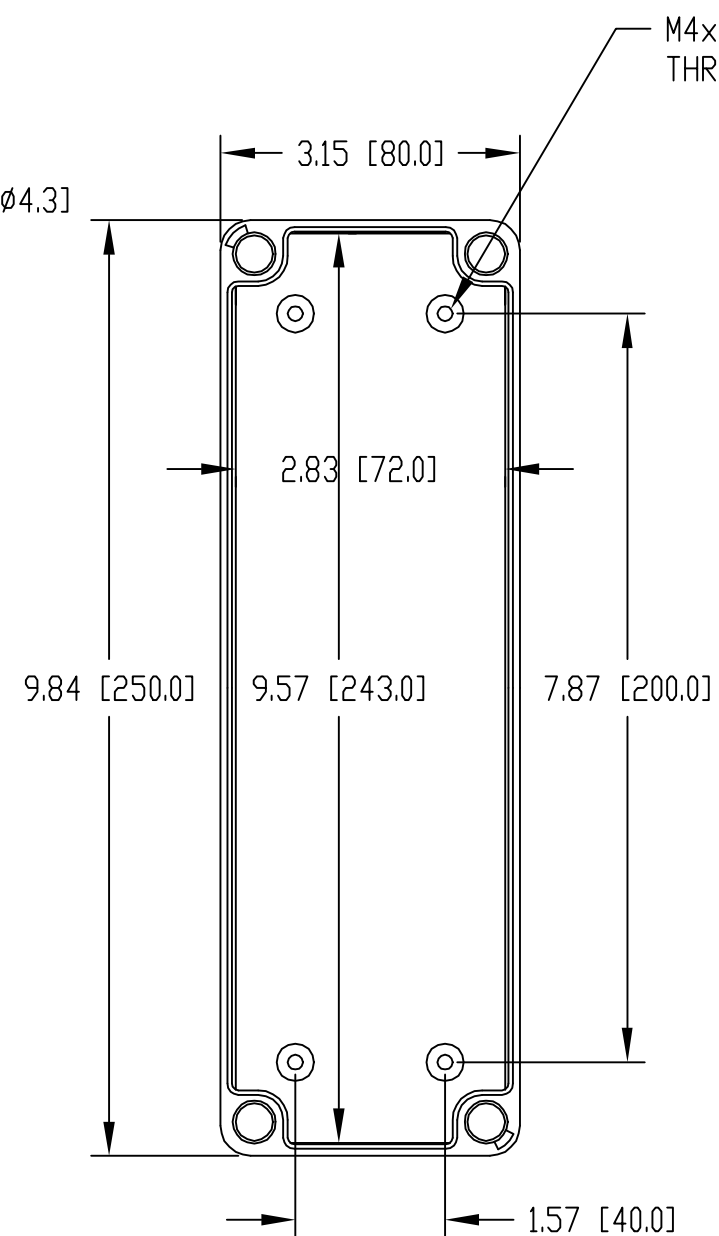
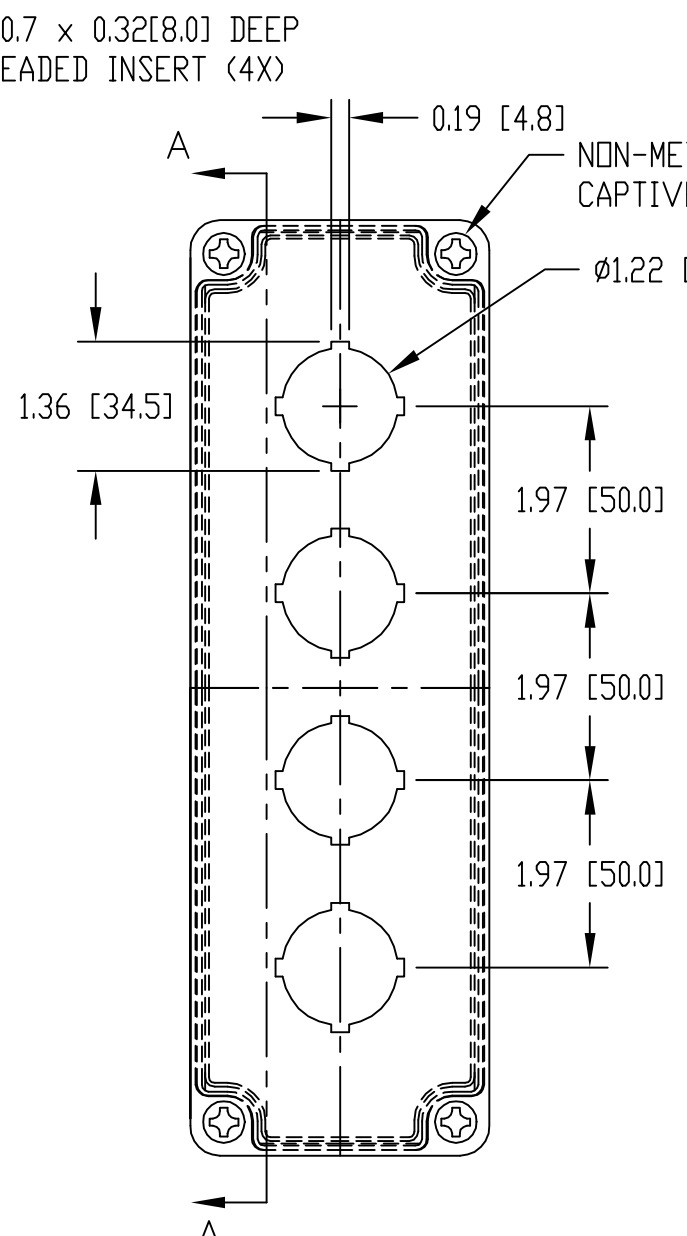


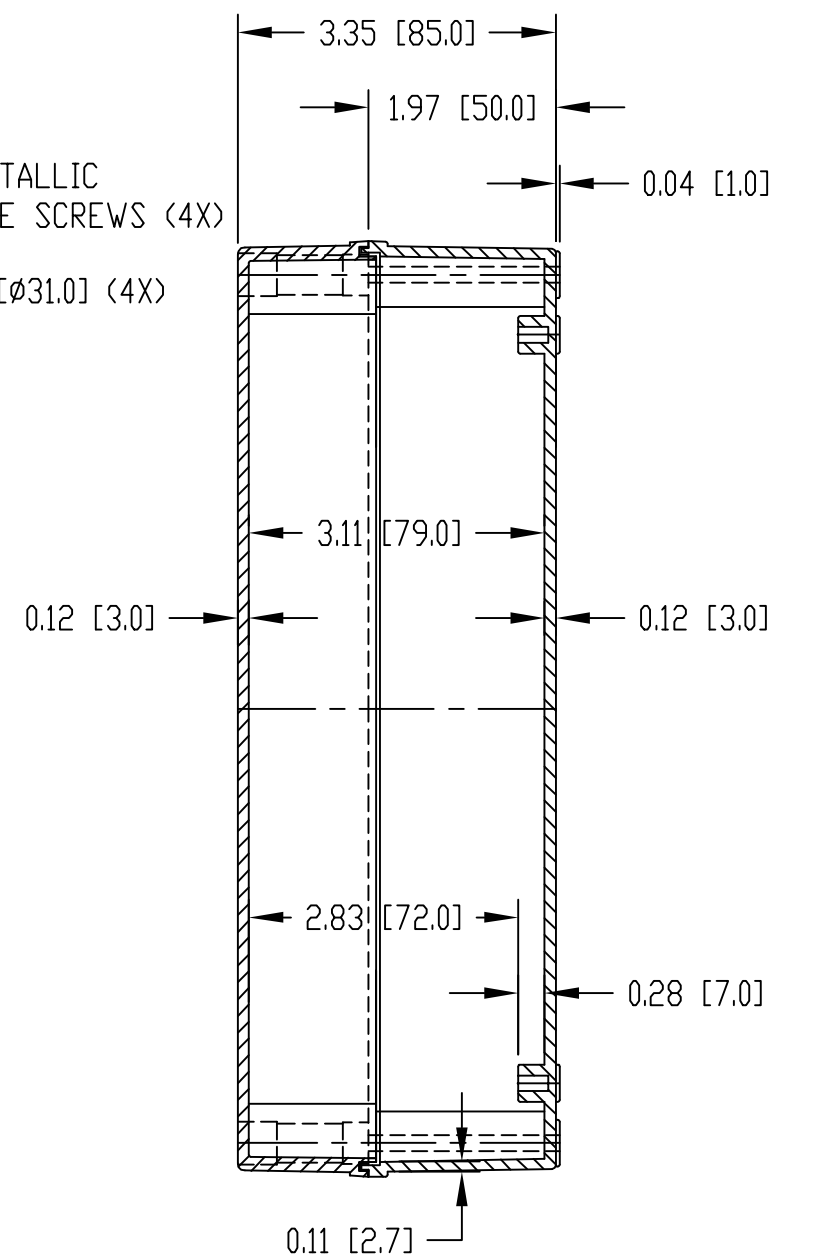
BOTTOM VIEW



TOP VIEW WITH COVER REMOVED



TOP VIEW WITH COVER



SECTION A-A

M4x0.7 x 0.32[8.0] DEEP
THREADED INSERT (4X)

NON-METALLIC
CAPTIVE SCREWS (4X)

Ø1.22 [Ø31.0] (4X)

- NOTES:
- 1- MATERIAL: BODY- GRAY POLYCARBONATE, 10% GLASS FIBER FILLED
COVER - GRAY POLYCARBONATE
 - 2- IP-67 TUV AND UL-94V0 RATING
 - 3- UL508/NEMA TYPE 4X AND TYPE 6 LISTED #E343339
 - 4- CONTINUOUS GASKET IN COVER
 - 5- FOUR NON-METALLIC CAPTIVE SCREWS PROVIDED
 - 6- ALL HOLE DIAMETERS HAVE ±0.005[0.12] TOLERANCE
ALL OTHER DIMENSIONS HAVE ±0.02[0.3] TOLERANCE
UNLESS OTHERWISE SPECIFIED
 - 7- DIMENSIONS ARE INCH[MM]

