

## dsPIC33EP256MC506 Plug-In Module (PIM) Information Sheet for Internal Op amp Configuration

The dsPIC33EP256MC506 Internal Op amp Motor Control PIM is designed to demonstrate the capabilities of the dsPIC33EP256MC506 Motor Control device using internal op amps with development boards such as the dsPICDEM™ MCLV-2 Development Board (DM330021-2) and the dsPICDEM MCHV-2 Development board (DM330023-2), which support 100-pin PIM interfaces.

The dsPIC33EP256MC506 is a high-performance, 16-bit Digital Signal Controller (DSC) in a 64-pin TQFP package. This device is equipped with three internal Op amp/Comparators and one dedicated Analog Comparator. The dsPIC33EP256MC506 Internal Op amp Motor Control PIM takes advantage of these analog peripherals configured using on-board passive components (resistors and capacitors) to support motor control applications without requiring external op amps or comparators.

To operate this PIM with the dsPICDEM MCLV-2 and dsPICDEM MCHV-2 Development Boards, please insert the Internal Op amp Configuration Board into the header J4 (for the dsPICDEM MCHV-2 Development Board) or header J14 (for the dsPICDEM MCLV-2 Development Board).

Figure 1 shows the connection location for the dsPICDEM MCHV-2 Development Board.

**FIGURE 1: INTERNAL OP AMP CONFIGURATION BOARD**



### Hardware Compatibility

Table 1 provides information on the hardware versions of the motor control boards that are compatible with this PIM. Refer to the user's guide for the specific motor control board for hardware version identification information.

**TABLE 1: HARDWARE COMPATIBILITY**

Development Board	Part Number	Compatible Hardware Version(s)
dsPICDEM™ MCHV Development Board	DM330023	Not compatible
dsPICDEM™ MCLV Development Board	DM330021	Not compatible
dsPICDEM™ MCSM Development Board	DM330022	Not compatible
dsPICDEM™ MCHV-2 Development Board	DM330023-2	All revisions
dsPICDEM™ MCLV-2 Development Board	DM330021-2	All revisions

### Warning:

Do not connect non-isolated oscilloscope probes to the test points on the dsPIC33EP256MC506 Internal Op amp Motor Control PIM while using the PIM with the dsPICDEM™ MCHV-2 Development Board. Use a high voltage differential probe rated in excess of 600 VRMS (common mode). Failure to heed this warning could result in hardware damage.

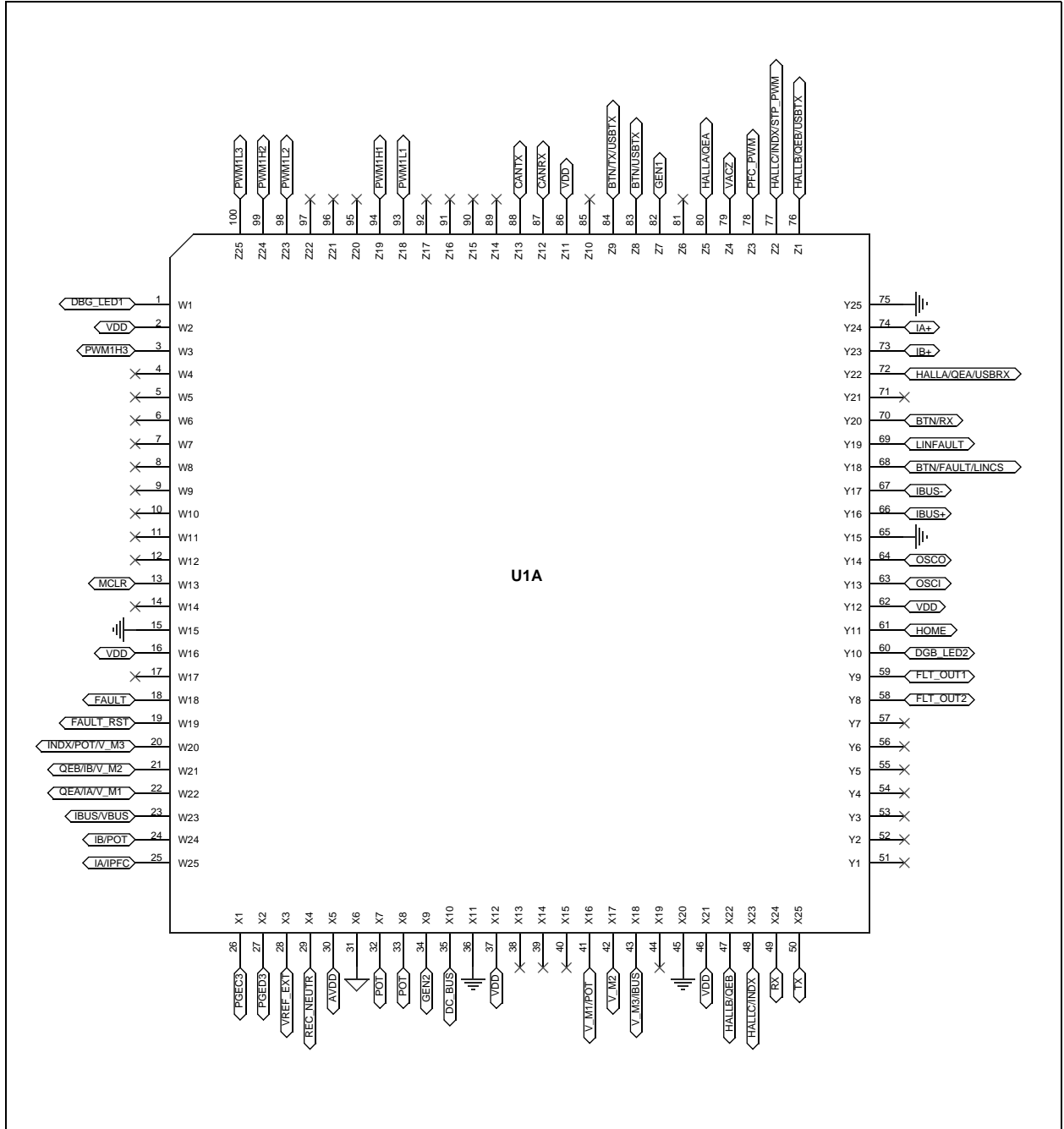
Table 2 provides the static mapping between the 100-pin PIM pins and the device pins.

**TABLE 2: 64-PIN DEVICE TO 100-PIN PIM MAPPING**

Device Pin #	dsPIC33EP256MC506 Device Functional Description	PIM Pin #	PIM Functional Description
1	TDI/RA7	—	Not connected
2	RPI46/PWM1H/T3CK/RB14	94	PWM Out – H1
3	RPI47/PWM1L/T5CK/RB15	93	PWM Out – L1
4	RP118/RG6	84	Switch/UART TX
5	RPI119/RG7	83	Switch
6	RP120/RG8	76	HALLB/QEB/USB TX
7	MCLR	13	Device Master Clear
8	RPI121/RG9	72	HALLA/QEA/USB RX
9	Vss	15, 36, 45, 65, 75	N/A
10	VDD	2, 16, 37, 46, 62, 86	N/A
11	AN10/RPI28/RA12	35	DC_BUS voltage (scaled)
12	AN9/RPI27/RA11	25	IA/IPFC current
13	AN0/OA2OUT/RA0	42	V_M2 motor phase voltage
14	AN1/C2IN1+/RA1	22, 41	QEA/IA/V_M1/POT
15	PGED3/VREF-/AN2/C2IN1-/SS1/RPI32/CTED2/RB0	43	V_M3/IBUS/HALLC
16	PGEC3/VREF+/AN3/OA1OUT/RPI33/CTED1/RB1	59	Op amp 1 output
17	PGEC1/AN4/C1IN1+/RPI34/RB2	21	QEB/IB/V_M2
18	PGED1/AN5/C1IN1-/RP35/RB3	—	Used by Op amp circuit
19	AVDD	30	N/A
20	AVSS	31	N/A
21	AN6/OA3OUT/C4IN1+/OCFB/RC0	58	Op amp 3 output
22	AN7/C3IN1-/C4IN1-/RC1	—	Used by Op amp circuit
23	AN8/C3IN1+/U1RTS/BCLK1/FLT3/RC2	20	INDX/POT/V_M3
24	AN11/C1IN2-/U1CTS/FLT4/RC11	24	IB/POT
25	Vss	15, 36, 45, 65, 75	N/A
26	VDD	2, 16, 37, 46, 62, 86	N/A
27	AN12/C2IN2-/U2RTS/BCLK2/RE12	—	Reconstructed motor neutral input
28	AN13/C3IN2-/U2CTS/RE13	32, 33	Potentiometer
29	AN14/RPI94/RE14	23	IBUS / VBUS
30	AN15/RPI95/RE15	34	General purpose I/O
31	SDA2/RPI24/RA8	80	HALLA/QEA
32	FLT32/SCL2/RP36/RB4	18	Overcurrent Fault input

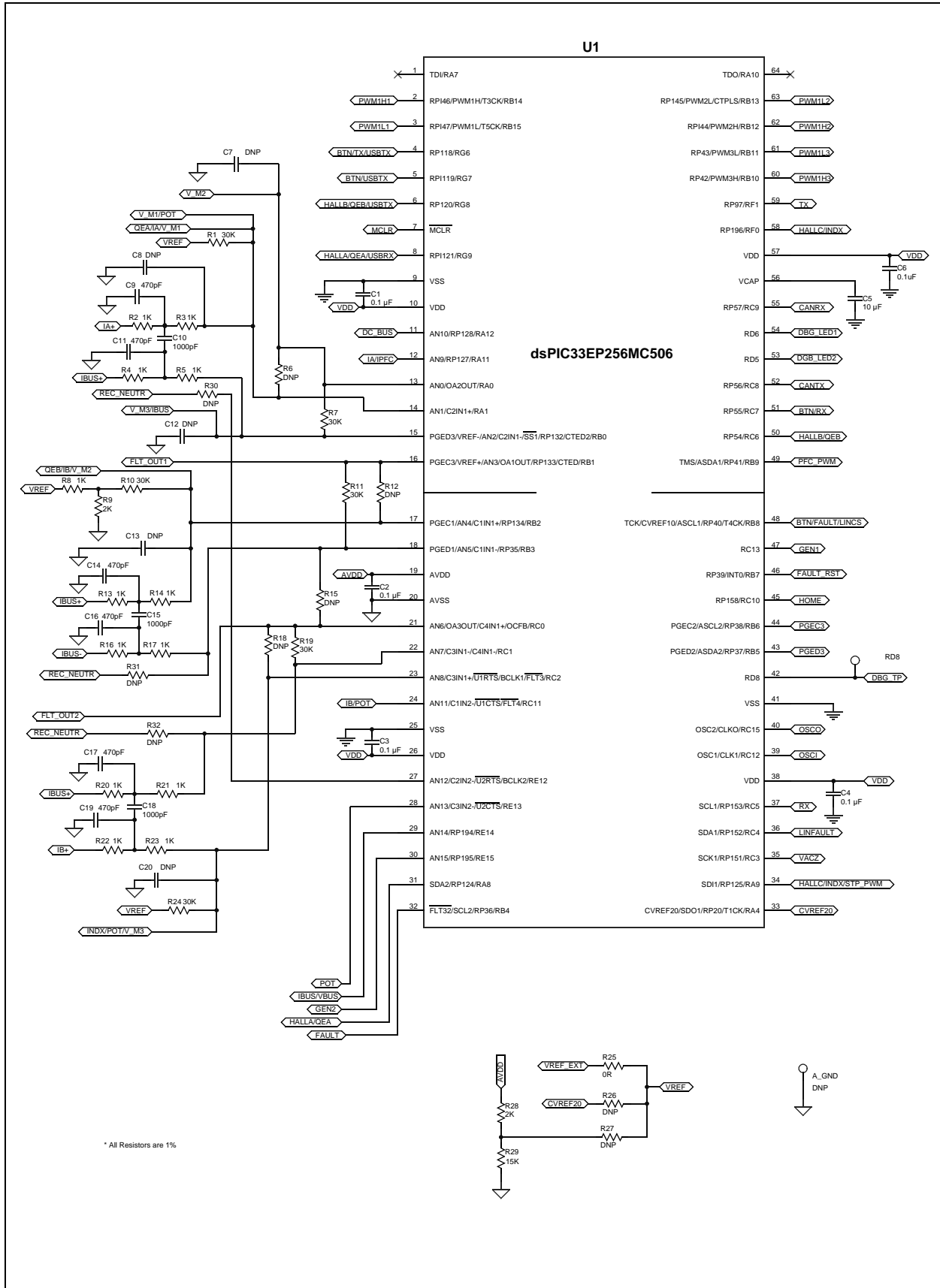
Device Pin #	dsPIC33EP256MC506 Device Functional Description	PIM Pin #	PIM Functional Description
33	CVREF20/SDO1/RP20/T1CK/RA4	—	Used by Op amp circuit
34	SDI1/RPI25/RA9	77	HALLC/INDX/STP_PWM
35	SCK1/RPI51/RC3	79	AC input zero cross
36	SDA1/RPI52/RC4	69	LIN Fault
37	SCL1/RPI53/RC5	49	UART RX
38	VDD	2, 16, 37, 46, 62, 86	N/A
39	OSC1/CLKI/RC12	63	OSCI
40	OSC2/CLKO/RC15	64	OSCO
41	Vss	15, 36, 45, 65, 75	N/A
42	RD8	—	Debug test point
43	PGED2/ASDA2/RP37/RB5	27	PGED2
44	PGEC2/ASCL2/RP38/RB6	26	PGEC2
45	RPI58/RC10	61	HOME signal (QE1)
46	RP39/INT0/RB7	19	PFC Fault/UART TX
47	RC13	82	General purpose I/O
48	TCK/CVREF10/ASCL1/RP40/T4CK/RB8	68	BTN/LINCS
49	TMS/ASDA1/RP41/RB9	78	PFC PWM/CAN RX
50	RP54/RC6	47	HALLB/QEB
51	RP55/RC7	70	BTN/RX
52	RP56/RC8	88	CAN TX
53	RD5	60	Debug LED2
54	RD6	1	Debug LED1
55	RP57/RC9	87	CAN RX
56	VCAP	—	Not connected
57	VDD	2, 16, 37, 46, 62, 86	N/A
58	RPI96/RF0	48	HALLC/INDX
59	RP97/RF1	50	UART TX
60	RP42/PWM3H/RB10	3	PWM Out – H3
61	RP43/PWM3L/RB11	100	PWM Out – L3
62	RPI44/PWM2H/RB12	99	PWM Out – H2
63	RPI45/PWM2L/CTPLS/RB13	98	PWM Out – L2
64	TDO/RA10	—	Not connected

**FIGURE 2: 100-PIN HEADER SCHEMATIC**



# dsPIC33EP256MC506

FIGURE 3: 64-PIN DEVICE SCHEMATIC



In the schematic shown in [Figure 3](#), resistors R25, R26 and R27 are used to choose the reference voltage (VREF) from motor control board (VREF\_EXT) or device internal reference (CVREF20) or a simple voltage divider (R28-R29), respectively. By default, the PIM is configured to source the reference voltage from the motor control board.

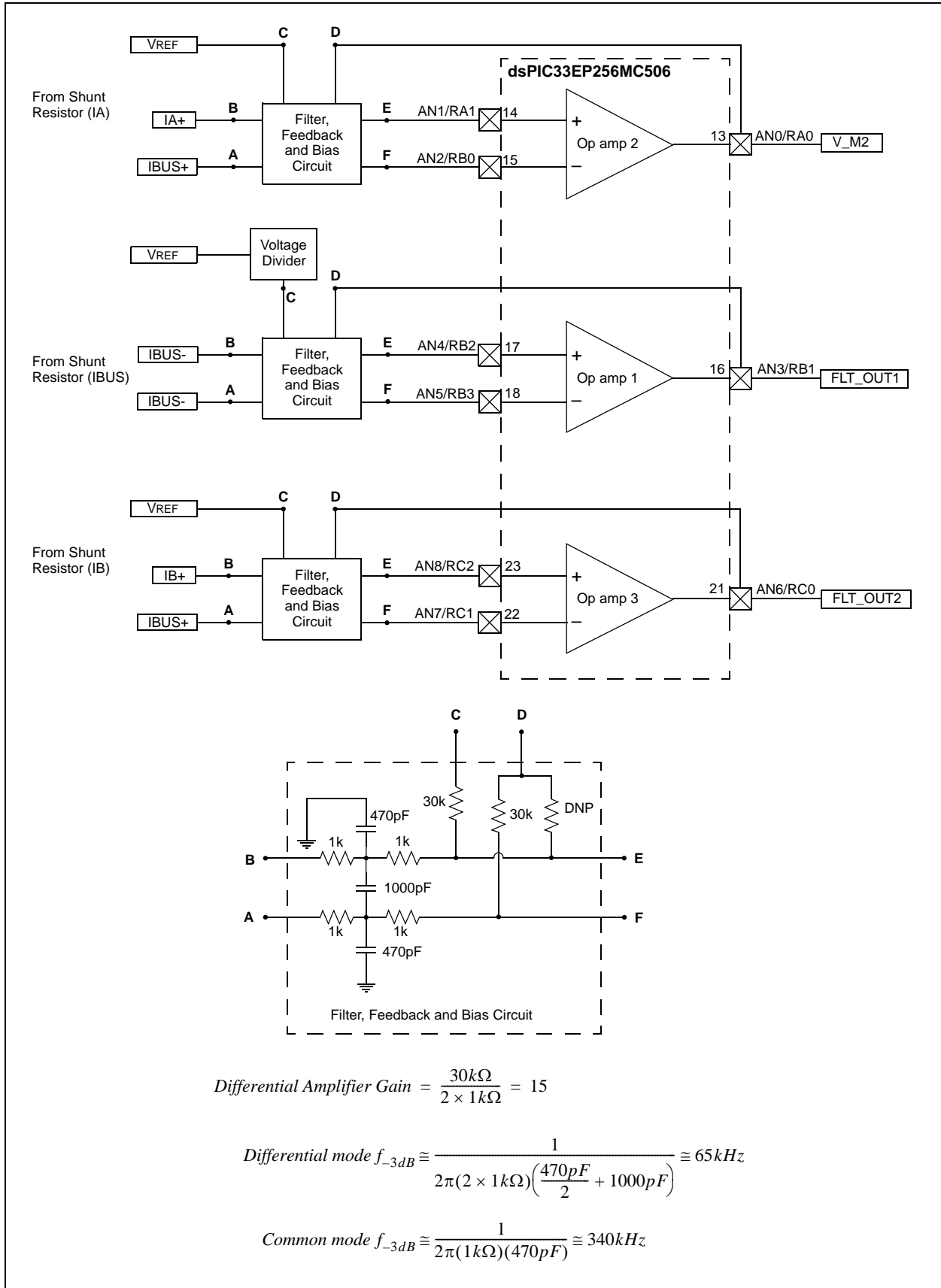
[Table 3](#) classifies the passive components according to their functionality and also quotes the design equations applicable in each case.

**TABLE 3: ANALOG FUNCTIONALITY LISTING**

Op amp #	Analog Function	Passive Components	Design Equations
1	Low Pass Filter	R13, R14, R16, R17, C14, C15, C16	$R13 = R14 = R16 = R17 = R$ $C14 = C16 = C$ $R10 = R11$
	Reference Voltage Bias	R10, R11	$Common\ mode\ f_{-3dB} \cong \frac{1}{2\pi RC}$
	Voltage Divider	R8, R9	$Differential\ mode\ f_{-3dB} \cong \frac{1}{2\pi(2R)\left(\frac{C}{2} + C_{15}\right)}$
	Differential Amplifier Input	R13, R14, R16, R17	$Differential\ Amplifier\ Gain = \frac{R_{11}}{2R}$
	Differential Amplifier Feedback	R11	
2	Low Pass Filter	R2, R3, R4, R5, C9, C10, C11	$R2 = R3 = R4 = R5 = R$ $C9 = C11 = C$ $R1 = R7$
	Reference Voltage Bias	R1, R7	$Common\ mode\ f_{-3dB} \cong \frac{1}{2\pi RC}$
	Differential Amplifier Input	R2, R3, R4, R5	$Differential\ mode\ f_{-3dB} \cong \frac{1}{2\pi(2R)\left(\frac{C}{2} + C_{10}\right)}$
	Differential Amplifier Feedback	R7	$Differential\ Amplifier\ Gain = \frac{R_7}{2R}$
3	Low Pass Filter	R20, R21, R22, R23, C17, C18, C19	$R20 = R21 = R22 = R23 = R$ $C17 = C19 = C$ $R24 = R19$
	Reference Voltage Bias	R24, R19	$Common\ mode\ f_{-3dB} \cong \frac{1}{2\pi RC}$
	Differential Amplifier Input	R20, R21, R22, R23	$Differential\ mode\ f_{-3dB} \cong \frac{1}{2\pi(2R)\left(\frac{C}{2} + C_{18}\right)}$
	Differential Amplifier Feedback	R19	$Differential\ Amplifier\ Gain = \frac{R_{19}}{2R}$

# dsPIC33EP256MC506

FIGURE 4: OP AMP CIRCUIT BLOCK DIAGRAM



---

---

**Note the following details of the code protection feature on Microchip devices:**

- Microchip products meet the specification contained in their particular Microchip Data Sheet.
- Microchip believes that its family of products is one of the most secure families of its kind on the market today, when used in the intended manner and under normal conditions.
- There are dishonest and possibly illegal methods used to breach the code protection feature. All of these methods, to our knowledge, require using the Microchip products in a manner outside the operating specifications contained in Microchip's Data Sheets. Most likely, the person doing so is engaged in theft of intellectual property.
- Microchip is willing to work with the customer who is concerned about the integrity of their code.
- Neither Microchip nor any other semiconductor manufacturer can guarantee the security of their code. Code protection does not mean that we are guaranteeing the product as "unbreakable."

Code protection is constantly evolving. We at Microchip are committed to continuously improving the code protection features of our products. Attempts to break Microchip's code protection feature may be a violation of the Digital Millennium Copyright Act. If such acts allow unauthorized access to your software or other copyrighted work, you may have a right to sue for relief under that Act.

---

Information contained in this publication regarding device applications and the like is provided only for your convenience and may be superseded by updates. It is your responsibility to ensure that your application meets with your specifications. MICROCHIP MAKES NO REPRESENTATIONS OR WARRANTIES OF ANY KIND WHETHER EXPRESS OR IMPLIED, WRITTEN OR ORAL, STATUTORY OR OTHERWISE, RELATED TO THE INFORMATION, INCLUDING BUT NOT LIMITED TO ITS CONDITION, QUALITY, PERFORMANCE, MERCHANTABILITY OR FITNESS FOR PURPOSE. Microchip disclaims all liability arising from this information and its use. Use of Microchip devices in life support and/or safety applications is entirely at the buyer's risk, and the buyer agrees to defend, indemnify and hold harmless Microchip from any and all damages, claims, suits, or expenses resulting from such use. No licenses are conveyed, implicitly or otherwise, under any Microchip intellectual property rights.

**Trademarks**

The Microchip name and logo, the Microchip logo, dsPIC, KEELOQ, KEELOQ logo, MPLAB, PIC, PICmicro, PICSTART, PIC<sup>32</sup> logo, rPIC and UNI/O are registered trademarks of Microchip Technology Incorporated in the U.S.A. and other countries.


FilterLab, Hampshire, HI-TECH C, Linear Active Thermistor, MXDEV, MXLAB, SEEVAL and The Embedded Control Solutions Company are registered trademarks of Microchip Technology Incorporated in the U.S.A.

Analog-for-the-Digital Age, Application Maestro, chipKIT, chipKIT logo, CodeGuard, dsPICDEM, dsPICDEM.net, dsPICworks, dsSPEAK, ECAN, ECONOMONITOR, FanSense, HI-TIDE, In-Circuit Serial Programming, ICSP, Mindi, MiWi, MPASM, MPLAB Certified logo, MPLIB, MPLINK, mTouch, Omniscent Code Generation, PICC, PICC-18, PICDEM, PICDEM.net, PICkit, PICtail, REAL ICE, rfLAB, Select Mode, Total Endurance, TSHARC, UniWinDriver, WiperLock and ZENA are trademarks of Microchip Technology Incorporated in the U.S.A. and other countries.

SQTP is a service mark of Microchip Technology Incorporated in the U.S.A.

All other trademarks mentioned herein are property of their respective companies.

© 2012, Microchip Technology Incorporated, Printed in the U.S.A., All Rights Reserved.

 Printed on recycled paper.

ISBN: 978-1-62076-116-8

**QUALITY MANAGEMENT SYSTEM  
CERTIFIED BY DNV  
= ISO/TS 16949 =**

*Microchip received ISO/TS-16949:2009 certification for its worldwide headquarters, design and wafer fabrication facilities in Chandler and Tempe, Arizona; Gresham, Oregon and design centers in California and India. The Company's quality system processes and procedures are for its PIC<sup>®</sup> MCUs and dsPIC<sup>®</sup> DSCs, KEELOQ<sup>®</sup> code hopping devices, Serial EEPROMs, microperipherals, nonvolatile memory and analog products. In addition, Microchip's quality system for the design and manufacture of development systems is ISO 9001:2000 certified.*



# MICROCHIP

## Worldwide Sales and Service

### AMERICAS

**Corporate Office**  
2355 West Chandler Blvd.  
Chandler, AZ 85224-6199  
Tel: 480-792-7200  
Fax: 480-792-7277  
Technical Support:  
<http://www.microchip.com/support>  
Web Address:  
[www.microchip.com](http://www.microchip.com)

**Atlanta**  
Duluth, GA  
Tel: 678-957-9614  
Fax: 678-957-1455

**Boston**  
Westborough, MA  
Tel: 774-760-0087  
Fax: 774-760-0088

**Chicago**  
Itasca, IL  
Tel: 630-285-0071  
Fax: 630-285-0075

**Cleveland**  
Independence, OH  
Tel: 216-447-0464  
Fax: 216-447-0643

**Dallas**  
Addison, TX  
Tel: 972-818-7423  
Fax: 972-818-2924

**Detroit**  
Farmington Hills, MI  
Tel: 248-538-2250  
Fax: 248-538-2260

**Indianapolis**  
Noblesville, IN  
Tel: 317-773-8323  
Fax: 317-773-5453

**Los Angeles**  
Mission Viejo, CA  
Tel: 949-462-9523  
Fax: 949-462-9608

**Santa Clara**  
Santa Clara, CA  
Tel: 408-961-6444  
Fax: 408-961-6445

**Toronto**  
Mississauga, Ontario,  
Canada  
Tel: 905-673-0699  
Fax: 905-673-6509

### ASIA/PACIFIC

**Asia Pacific Office**  
Suites 3707-14, 37th Floor  
Tower 6, The Gateway  
Harbour City, Kowloon  
Hong Kong  
Tel: 852-2401-1200  
Fax: 852-2401-3431

**Australia - Sydney**  
Tel: 61-2-9868-6733  
Fax: 61-2-9868-6755

**China - Beijing**  
Tel: 86-10-8569-7000  
Fax: 86-10-8528-2104

**China - Chengdu**  
Tel: 86-28-8665-5511  
Fax: 86-28-8665-7889

**China - Chongqing**  
Tel: 86-23-8980-9588  
Fax: 86-23-8980-9500

**China - Hangzhou**  
Tel: 86-571-2819-3187  
Fax: 86-571-2819-3189

**China - Hong Kong SAR**  
Tel: 852-2401-1200  
Fax: 852-2401-3431

**China - Nanjing**  
Tel: 86-25-8473-2460  
Fax: 86-25-8473-2470

**China - Qingdao**  
Tel: 86-532-8502-7355  
Fax: 86-532-8502-7205

**China - Shanghai**  
Tel: 86-21-5407-5533  
Fax: 86-21-5407-5066

**China - Shenyang**  
Tel: 86-24-2334-2829  
Fax: 86-24-2334-2393

**China - Shenzhen**  
Tel: 86-755-8203-2660  
Fax: 86-755-8203-1760

**China - Wuhan**  
Tel: 86-27-5980-5300  
Fax: 86-27-5980-5118

**China - Xian**  
Tel: 86-29-8833-7252  
Fax: 86-29-8833-7256

**China - Xiamen**  
Tel: 86-592-2388138  
Fax: 86-592-2388130

**China - Zhuhai**  
Tel: 86-756-3210040  
Fax: 86-756-3210049

### ASIA/PACIFIC

**India - Bangalore**  
Tel: 91-80-3090-4444  
Fax: 91-80-3090-4123

**India - New Delhi**  
Tel: 91-11-4160-8631  
Fax: 91-11-4160-8632

**India - Pune**  
Tel: 91-20-2566-1512  
Fax: 91-20-2566-1513

**Japan - Osaka**  
Tel: 81-66-152-7160  
Fax: 81-66-152-9310

**Japan - Yokohama**  
Tel: 81-45-471-6166  
Fax: 81-45-471-6122

**Korea - Daegu**  
Tel: 82-53-744-4301  
Fax: 82-53-744-4302

**Korea - Seoul**  
Tel: 82-2-554-7200  
Fax: 82-2-558-5932 or  
82-2-558-5934

**Malaysia - Kuala Lumpur**  
Tel: 60-3-6201-9857  
Fax: 60-3-6201-9859

**Malaysia - Penang**  
Tel: 60-4-227-8870  
Fax: 60-4-227-4068

**Philippines - Manila**  
Tel: 63-2-634-9065  
Fax: 63-2-634-9069

**Singapore**  
Tel: 65-6334-8870  
Fax: 65-6334-8850

**Taiwan - Hsin Chu**  
Tel: 886-3-5778-366  
Fax: 886-3-5770-955

**Taiwan - Kaohsiung**  
Tel: 886-7-536-4818  
Fax: 886-7-330-9305

**Taiwan - Taipei**  
Tel: 886-2-2500-6610  
Fax: 886-2-2508-0102

**Thailand - Bangkok**  
Tel: 66-2-694-1351  
Fax: 66-2-694-1350

### EUROPE

**Austria - Wels**  
Tel: 43-7242-2244-39  
Fax: 43-7242-2244-393

**Denmark - Copenhagen**  
Tel: 45-4450-2828  
Fax: 45-4485-2829

**France - Paris**  
Tel: 33-1-69-53-63-20  
Fax: 33-1-69-30-90-79

**Germany - Munich**  
Tel: 49-89-627-144-0  
Fax: 49-89-627-144-44

**Italy - Milan**  
Tel: 39-0331-742611  
Fax: 39-0331-466781

**Netherlands - Druenen**  
Tel: 31-416-690399  
Fax: 31-416-690340

**Spain - Madrid**  
Tel: 34-91-708-08-90  
Fax: 34-91-708-08-91

**UK - Wokingham**  
Tel: 44-118-921-5869  
Fax: 44-118-921-5820

11/29/11