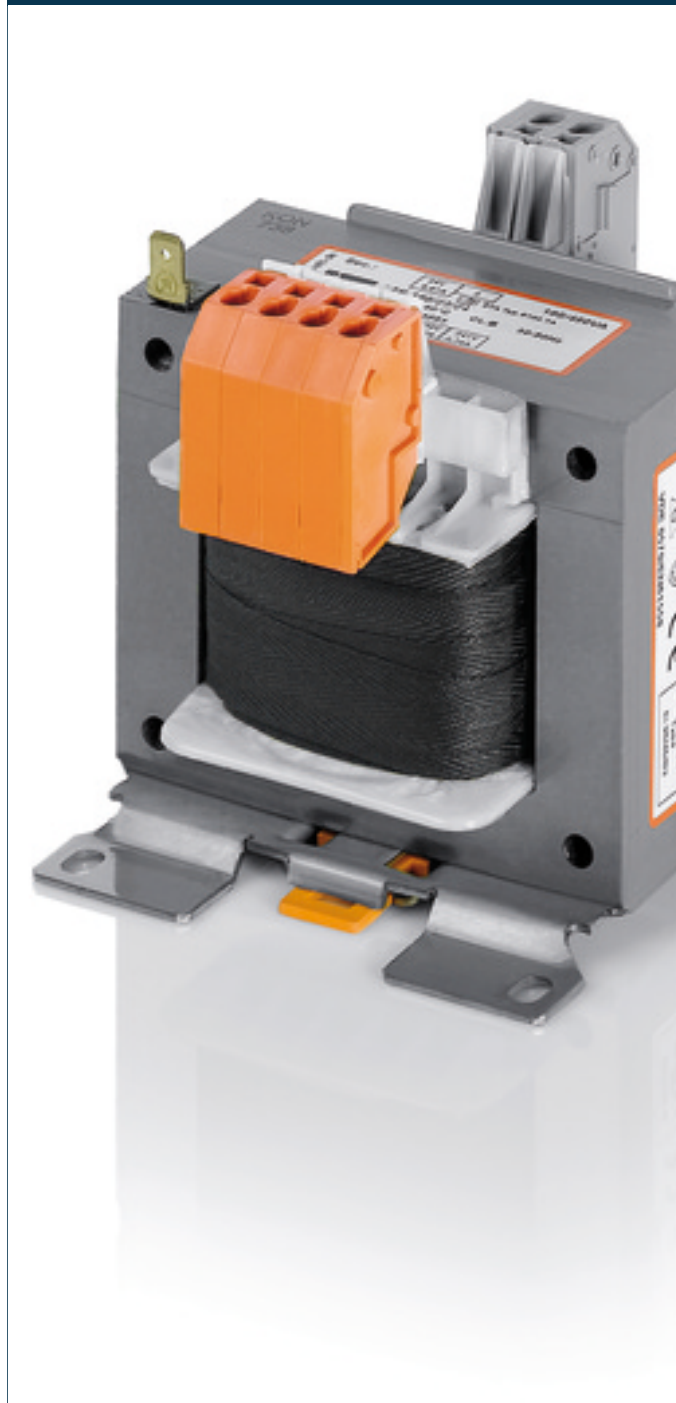


# Control- and safety isolating- resp. isolating transformer

## STE 2000/4/23



## Advantages

Very good switch-on behaviour thanks to reduced starting currents
High performance for the volume thanks to compact design
Primary side $\pm 5\%$ tapings for voltage adjustment
Very good corrosion protection and low noise thanks to BLOCKIMPEX vacuum impregnation
Quick to cable up thanks to the use of spring-loaded terminals
Contact protected screw connection terminals complying with UVV BGV A3
Simple mounting thanks to robust metal footplate with oval slots
Up to 250 VA with combination footplate for bolted and rail mounting

## Applications

As a control transformer for the electrical isolation of the input and output sides. The construction of the transformer to supply control systems according to VDE 0113 is designed.

As an isolating transformer for the safe electrical isolation of the input and output sides. The transformer may be used to set up protective separation as a protective measure in accordance with VDE 0100.

As a safety isolating transformer for the safe electrical isolation of the input and output sides. The transformer is suitable for creating SELV and PELV circuits because of the limit on the output voltage.

## Standards



Control transformer  
to: VDE 0570 Teil 2-2, DIN EN 61558-2-2, EN 61558-2-2, IEC 61558-2-2,  
UL 5085-1/-2, CSA 22.2 No.66  
Isolating transformer  
to: VDE 0570 Part 2-4, DIN EN 61558-2-4, EN 61558-2-4, IEC 61558-2-4,  
UL 5085-1/-2, CSA 22.2 No.66

## Approvals



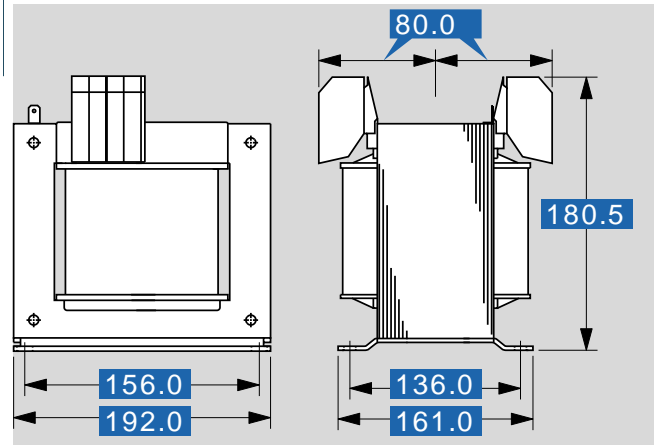
UL 5085-1/-2, CSA 22.2 No.66



# Control- and safety isolating- resp. isolating transformer STE 2000/4/23

Type		STE 2000/4/23
<b>Electrical data</b>	Input	
	Rated input voltage	400 Vac
	Tappings Input	±5 %
	Rated frequency	50 - 60 Hz
	Output	
	Rated output voltage	230 Vac
	Rated power VDE (DB cos phi=1)	2000 VA
	Rated power VDE (KB cos phi=0.5)	10900 VA
	No-load voltage (app. x factor)	1.02
	Efficiency	95 %
	Standards	
	Classification	Control- and isolating transformer
	Approvals	cURus
	Environment	
	Ambient temperature max.	40 °C
	Cooling method	self cooling
	Safety and protection	
	Type	open type
	Class of Insulation System	VDE=B, UL=class 130
	Protection index	IP 00
Safety class (prepared)	I	
Short circuit strength	non-short-circuit proof	
PRI Fusing recommendation by circuit breaker with tripping characteristic type 20 x I <sub>rated</sub> related to set)		
Setting range	4.00 - 6.30 A	
Setting value	5.20 A	
Order numbers		
<b>Order Number</b>	<b>STE 2000/4/23</b>	

Type		STE 2000/4/23
<b>Mechanical data</b>	Terminal and mounting	
	Terminals	Spring clamp terminal, PE 6.3 x 0.8
	Fixing method	Base plate
	Fixing screws	M8
	Measures and weights	
	Weight	21.80 kg



Subjects to change.