

## 70mm LT7 Series Light Towers

### Easily build or modify the combination that works for you!

The LT7 light tower combines innovative LED technology with modular style assembly. This enables the towers to meet the extensive requirements seen in most status indicating applications. The simple design uses only 9 modular components to make a five color tower complete with alarm and flashing functions.

Using the latest and brightest LEDs in the LT7 product range provides brilliant illumination for all the lens colors. The unique prism cut design enhances the brightness and ensures outstanding levels of visibility from any direction and distance.

Key features of the LT7 series light towers include:

- 70mm diameter
- Ultra bright LEDs
- Unique interlocking construction
- Fast and easy assembly
- Optional adjustable alarm
- Lead-free design
- IP65 environment protection, NEMA 4, 4X, 13
- Color-coded wiring terminals
- Only nine modular components with 5 lens colors & 4 base units
- UL/c-UL Listed, CE marked



File #E245027

## Part Numbers

### Part Numbers: Base Units

Voltage	Steady	Flashing
24V DC	LT7B-D24	LT7B-D24FB
90-250V AC	LT7B-A250	LT7B-A250FB



*Base unit comes with top cap.*

### Part Numbers: Lens/LED Module

Color	Part Number
RED	LT7A-R
AMBER/YELLOW	LT7A-Y
GREEN	LT7A-G
BLUE	LT7A-S
CLEAR/WHITE	LT7A-C

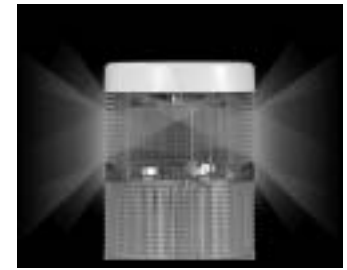


## LT7 Specifications

Base Units		LT7B-D24	LT7B-D24FB	LT7B-A250	LT7B-A250FB			
Specifications	<b>Operation/Function</b>	Steady	Flashing/Steady		Steady	Flashing/Steady		
	<b>Rated Voltage</b>	24V DC			90~250V AC (50/60Hz)			
	<b>Operating Voltage</b>	±10% (21.6~26.4V)			90~250V AC (50/60Hz)			
	<b>Alarm</b>	–	Alarm 1*	Alarm 2**	–	Alarm 1*	Alarm 2**	
	<b>Current Consumption</b>	–	50±10mA	24±10mA	–	50±10mA	24±10mA	
	<b>Power Consumption</b>	–	1.2±0.25W	0.58±0.25W	–	1.8±0.25W	1.3±0.25W	
	<b>Alarm Sound Level</b>	Max	–	90±5dB (at 1m)		–	90±5dB (at 1m)	
		Min	–	70dB or less (at 1m)		–	70dB or less (at 1m)	
	<b>Flashing Cycle</b>	–	60±12 flashes per minute			–	60±12 flashes per minute	
	<b>Operating Temperature Range</b>	-30°C~+60°C			-25°C~+55°C			
	<b>Mounting</b>	Upright, indoor only			Upright, indoor only			
	<b>Protection</b>	IP65, NEMA 4, 4X, 13			IP65, NEMA 4, 4X, 13			
	<b>Weight</b>	250g	280g		310g	340g		
<b>Open Collector</b>	PNP/NPN			NPN				



1. \*Alarm 1: continuous sound
2. \*\*Alarm 2: intermittent sound



Ultra-bright LEDs



Color Coded Wiring Terminals

LED Units		LT7A-R	LT7A-Y	LT7A-G	LT7A-S	LT7A-C
Specifications	<b>LED Unit Color</b>	Red	Amber/Yellow	Green	Blue	Clear/White
	<b>Rated Voltage</b>	24V DC				
	<b>Operating Voltage</b>	±10% (21.6~26.4V)				
	<b>Current/Power</b>	52mA/1.25W		42mA/1.0W		
	<b>Operating Temperature Range</b>	-30°C~+60°C				
	<b>Weight</b>	60g				



Operates with all voltage base units listed on previous page.



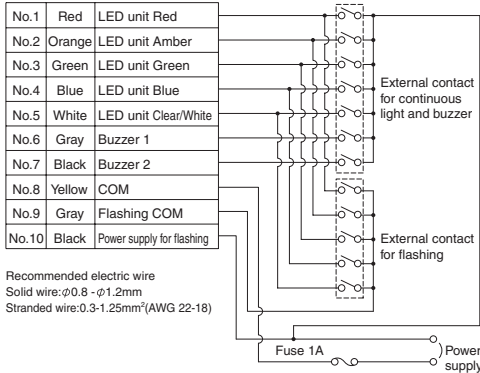
## Accessories & Replacement Parts

LT9Z-7T	LT9Z-7L	LT9Z-SZ007	LT9Z-HCLT7	LT9Z-M4NUTSLT7	LT9Z-ORINGLT7
mounting pole with base mount	mounting pole with L-angle bracket	wall mounting bracket	replacement top cap (1 piece)	M4 mounting nuts (1 piece)	O-ring gasket (1 piece)

Wiring Examples

LT7B-D24FB

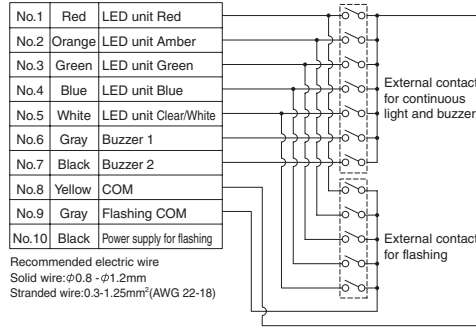
24V DC



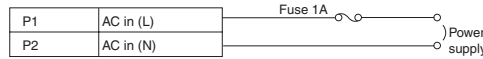
Recommended electric wire  
Solid wire:  $\phi 0.8 - \phi 1.2\text{mm}$   
Stranded wire:  $0.3-1.25\text{mm}^2$ (AWG 22-18)

LT7B-A250FB

90-250V AC



Recommended electric wire  
Solid wire:  $\phi 0.8 - \phi 1.2\text{mm}$   
Stranded wire:  $0.3-1.25\text{mm}^2$ (AWG 22-18)



Recommended electric wire  
Solid wire:  $\phi 0.6 - \phi 1.7\text{mm}$   
Stranded wire:  $0.3-2.5\text{mm}^2$ (AWG 22-14)

LT7B-D24FB

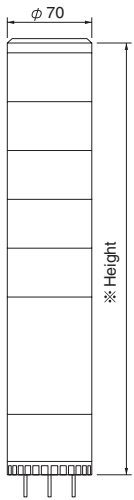


LT7B-A250FB

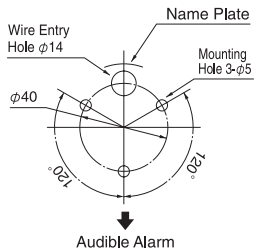


LT7 Dimensions

LT7 Base Unit



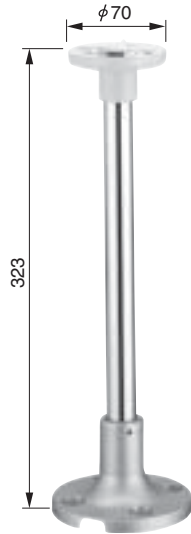
Mounting Dimensions



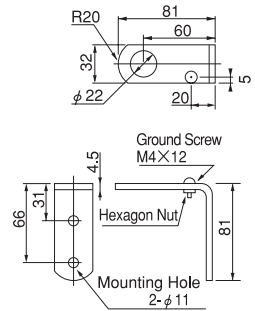
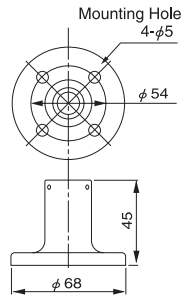
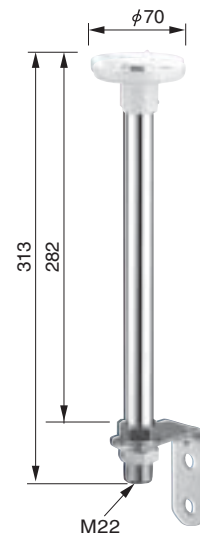
※Height(mm)
1Light : 211
2Lights : 252
3Lights : 293
4Lights : 334
5Lights : 375

LT7 Mounting Brackets

LT9Z-7T



LT9Z-7L



LT9Z-SZ007

