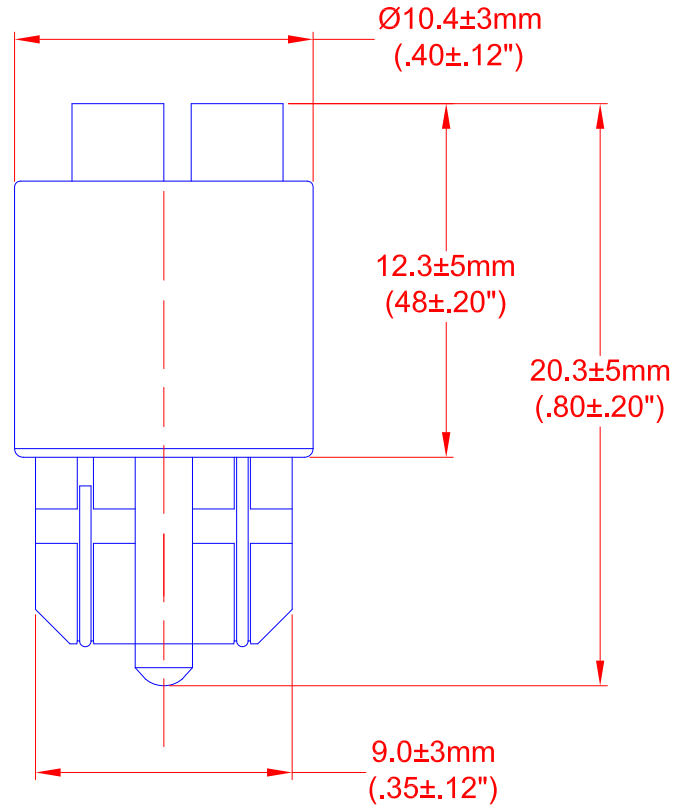
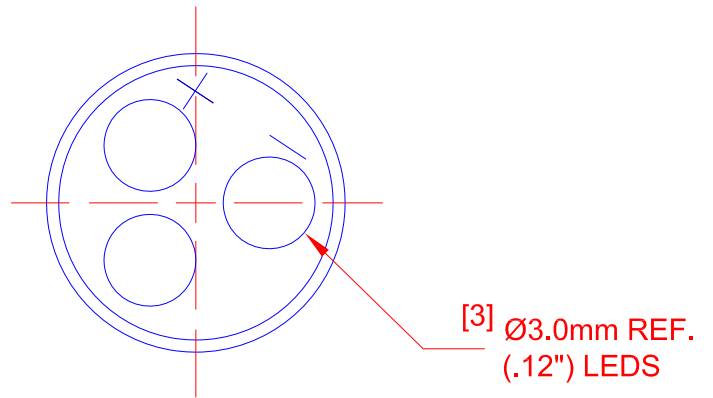


FEATURES:

12V DC OPERATION REGARDLESS OF WHICH WAY THE LAMP IS PLUGGED IN.

12 V AC rms OPERATION.

WIDE VIEWING ANGLE (120°).



TYPICAL ELECTRICAL & OPTICAL OPERATING CHARACTERISTICS

(Ta = 25 degree C)

PART NUMBER	EMITTING COLOR	AMPERAGE mA	VOLTAGE Vdc	LUMINOUS INTENSITY Lm	CRI %	CCT DEGREE K	VIEWING ANGLE DEGREES
LE-0903-02W	WHITE	15	12.0	22	79	6800	120

JKL PART NO.: LE-0903-02W

		 THIRD ANGLE PROJECTION		DIMENSIONS ARE IN MILLIMETERS (INCH) TOLERANCE UNLESS OTHERWISE SPECIFIED 1 PL +/- REF. 2 PL +/- REF. ANGLE +/-		JKL COMPONENTS CORPORATION									
A CHNG. TITLE AND ADD NOTE RELEASED		4/24/13 12/1/09		DRAWN BY L. WENGSTROM		APPVD BY L.R.		DATE 4/24/13		SIZE A		FSCM NO. 55335		DRAWING NO. LE-0903-02W	
REV. NO.		DESCRIPTION/ECO NUMBER		APPVD DATE		- CAD DRAWING - MANUAL REVISIONS NOT PERMITTED		SCALE NONE		RELEASED DATE 12/1/09		REVISION DATE 4/24/13		REV. NO. A	
												SHEET 1 OF 1			