

LED FLEX RIBBON

Features

VOLTAGE: 12V DC
 CURRENT: 1800mA
 LED VIEWING ANGLE (2 θ 1/2): 120°

STANDARD PACKAGING:
 5 Meter Reel (300 LED's)

OPTIONAL PACKAGING:
 Individual 500mm Sections (30 LED's)
 Order as ZFS-8500-XX/SEC

Note: Individual Sections ARE NOT supplied with insulated wire connection.



E365522

Maximum Ratings

Parameter	Symbol	Rating	Unit
Electrostatic Discharge	ESD	800	V
Operating Temperature	Topr	-30~+85	°C
Storage Temperature	Tstg	-40~+100	°C

Accessories

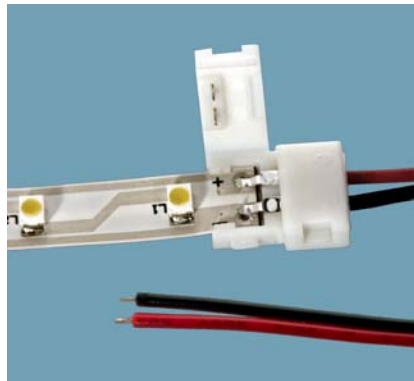
ZPS-1220 12V, 20 Watt Power Supply
 ZPS-1225 12V, 25 Watt Power Supply
 ZPS-1235 12V, 35 Watt Power Supply
 ZPS-1260 12V, 60 Watt Power Supply
 ZDM-01 PWM LED Dimmer

Note: ZPS-1235 and ZPS-1260 require use of wire nuts for connections.

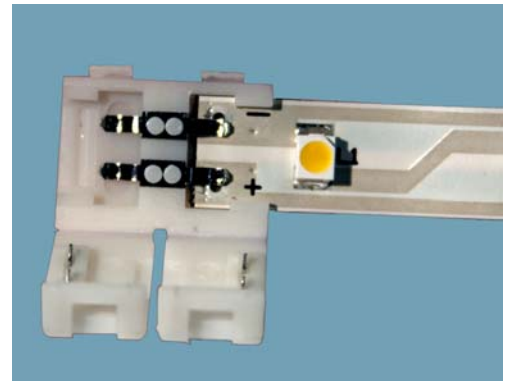
Mating Components



ZFS-CH138-8J:
Solderless Joiner Connector



ZFS-CH140-8I:
Solderless Input Connector



ZFS-CHO-8J:
Solderless Connector

Note

Please refer to JKL Application Sheet JKL-AS-ZFS-LED FLEX for Installation and Power Recommendations.

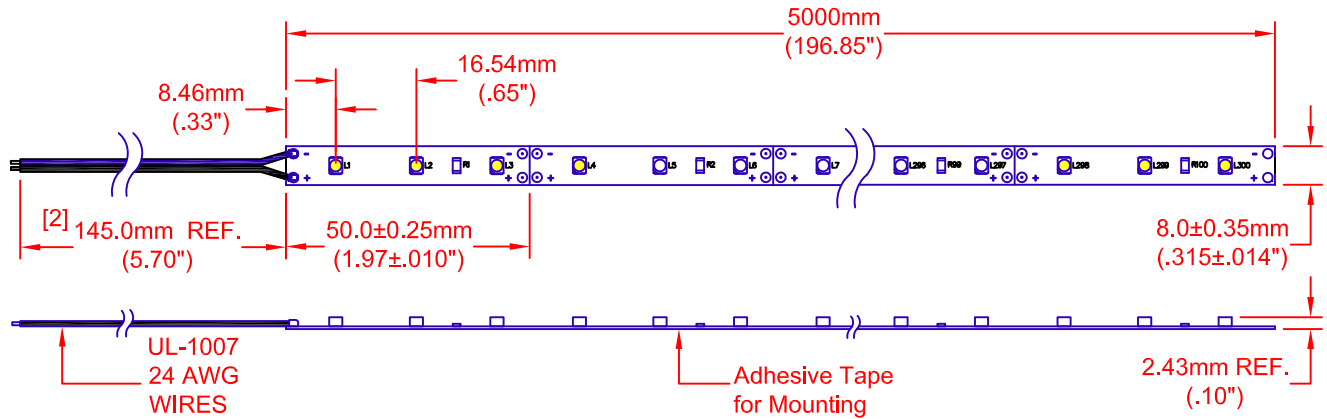


ATTENTION
 OBSERVE PRECAUTION FOR
 HANDLING ELECTROSTATIC
 DISCHARGE SENSITIVE DEVICES

F	ADD UL SYMBOL	12/9/13	<p>METRIC</p> <p>THIRD ANGLE PROJECTION</p>	DIMENSIONS ARE IN mm (INCHES)							
E	CHANGE MATING COMPONENTS	5/17/13		TOLERANCE UNLESS OTHERWISE SPECIFIED							
D	ADD ACCESSORIES NOTES	8/16/11		1 PL +/- REF.		TITLE		LED FLEX RIBBON, 12V			
C	ADD WIRE TYPE AND SIZE	6/27/11		2 PL +/- REF.							
B	SHOW WIRES ON BOTH ENDS	2/15/11		ANGLE +/-		DRAWING NO.		ZFS-8500 MULTI			
A	ADD ZFS-8500-Y PART NO & ASSESSORIES RELEASED	12/28/10 8/18/10	DRAWN BY	APPV'D BY	DATE	SIZE	FSCM NO.	SCALE			
			L. WENGSTROM	L.R.	12/9/13	A	55335	NONE			
REV. NO.	DESCRIPTION/ECO NUMBER	APPV'D DATE	- CAD DRAWING - MANUAL REVISIONS NOT PERMITTED			RELEASED DATE	8/18/10	REVISION DATE	12/9/13	REV. NO. F	SHEET 1 OF 2

LED FLEX RIBBON

Dimensions



Electro-Optical Characteristics (Ta = 25°C)

JKL Part Number	Color	Number of LED's	Input Voltage (V DC)	Power (W)	Current (mA)	Radiance Angle	CCT (K)	Lumen Flux (lm)
ZFS-8500-CW	Cool White	300	12	21.60	1800	120°	6000	1092
ZFS-8500-NW	Neutral White	300	12	21.60	1800	120°	4100	1014
ZFS-8500-WW	Warm White	300	12	21.60	1800	120°	3050	936
ZFS-8500-Y	Yellow	300	12	21.60	1800	120°	590nm	336

Circuit Diagram

