

# QUICK CONNECT CONNECTORS




## QUICK CONNECT<sup>®</sup>

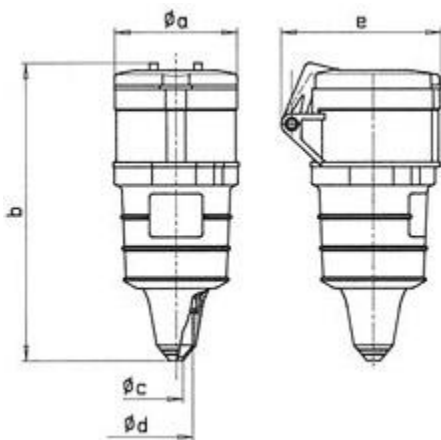
### Connector with Cable Sleeve

- Moulded cable sleeve
- 4-point (quarter turn) locking system
- Screwless terminals



### IP44 Splashproof

A CURRENT	V VOLTAGE	Hz FREQUENCY	 2P+E	EARTH HR POS.	 3P+E	EARTH HR POS.	 3P+N+E	EARTH HR POS.
16 IP44	110	50-60	31886	4				
	240	50-60	31880	6				
	415	50-60			31881	6	312001	6
32 IP44	110	50-60	310085	4				
	240	50-60	31882	6				
	415	50-60			31883	6	312002	6



Amperes	16			32		
	3	4	5	3	4	5
Poles						
Ø a	53	58	64	66	66	74
b	142	147	156.5	181	181	181
Ø c	5	5	7	8	8	8.5
Ø d	14.5	15.5	17.5	23.5	23.5	26
e	72	78	85	90	90	99
Conductor mm <sup>2</sup> min	1	1	1	2.5	2.5	2.5
Conductor mm <sup>2</sup> max	2.5	2.5	2.5	6	6	6