

DC filter for photovoltaic converters

new



#### Description

- Compact DC filter for photovoltaic systems
- High symmetrical and asymmetrical attenuation
- In the frequency range from 150kHz up to 300MHz

#### Standards

- IEC 60939
- UL 1283, Edition 5, CSA 22.2 No. 8-M1986, @ Ta 55 (75) °C

#### Approvals

- UL File Number: E72928

#### Applications

- Voltage up to 1200 VDC for world wide acceptance
- UL approved 1000VDC, 250 - 2300A and 600VDC, 25 - 150A
- Helps to meet international EMC standards

#### Weblinks

[pdf-datasheet](#), [html-datasheet](#), [General Product Information](#), [Approvals](#), [CE declaration of conformity](#), [RoHS](#), [CHINA-RoHS](#), [e-Shop](#), [SCHURTER-Stock-Check](#), [Distributor-Stock-Check](#), [Detailed request for product](#)

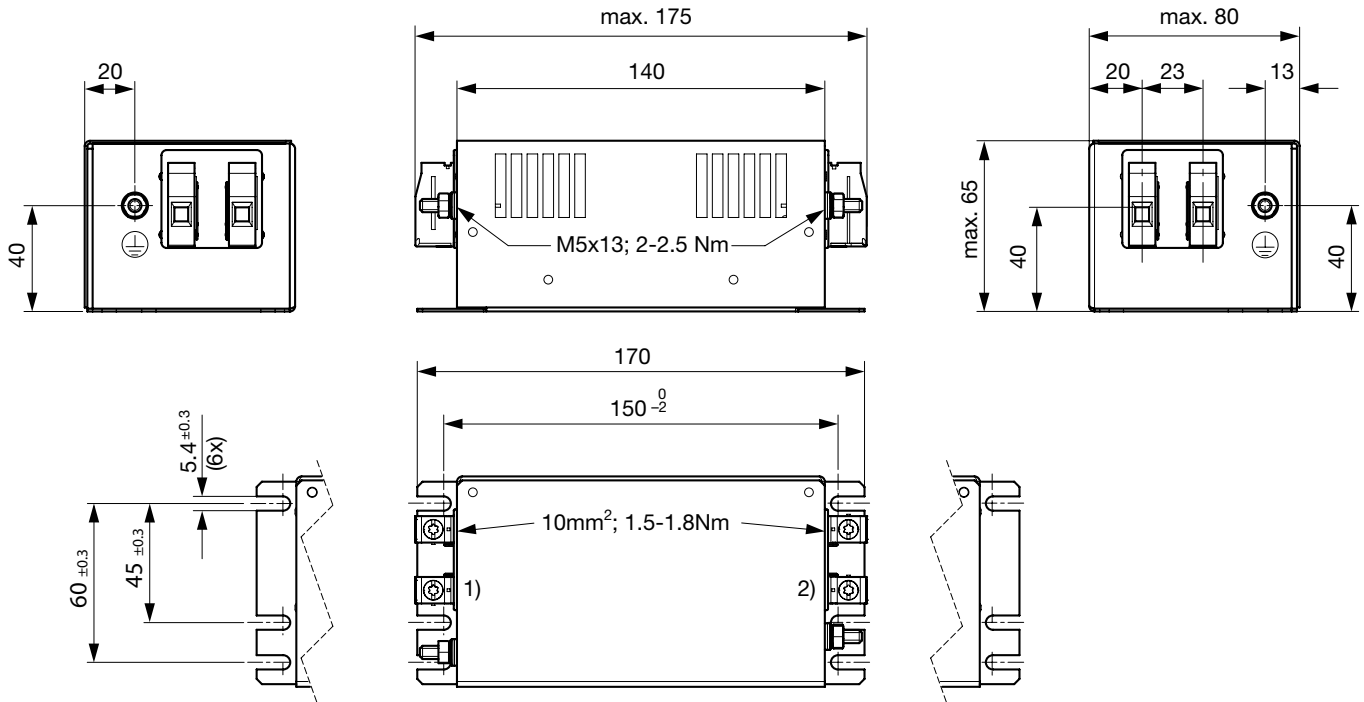
#### Technical Data

Rated Current	25 - 2300 (1200)A @ Ta 55 (75)°C
Rated voltage	1200VDC MAX.
Approval for	25 - 2300A @ Ta 55 °C / 1200VDC
Overload Current	1.5 x Ir
Number of Filter Stages	1-stage
Weight	1 - 32 kg
Material: Housing	Metal
Sealing Compound	UL 94V-0

Mounting	Screw-on mounting on chassis, from top
Terminal	Screw clamps for types up to 150 A and copper bars for types upwards of 250 A.
Operating Temperature [°C]	-40°C to 100°C
Climatic Category	40/100/21 acc. to IEC 60068-1
Degree of Protection	IP 20 (25A-150A types), IP 00 (250A-2300A types) acc. to IEC 60529
Protection Class	Suitable for appliances with protection class I acc. to IEC 61140

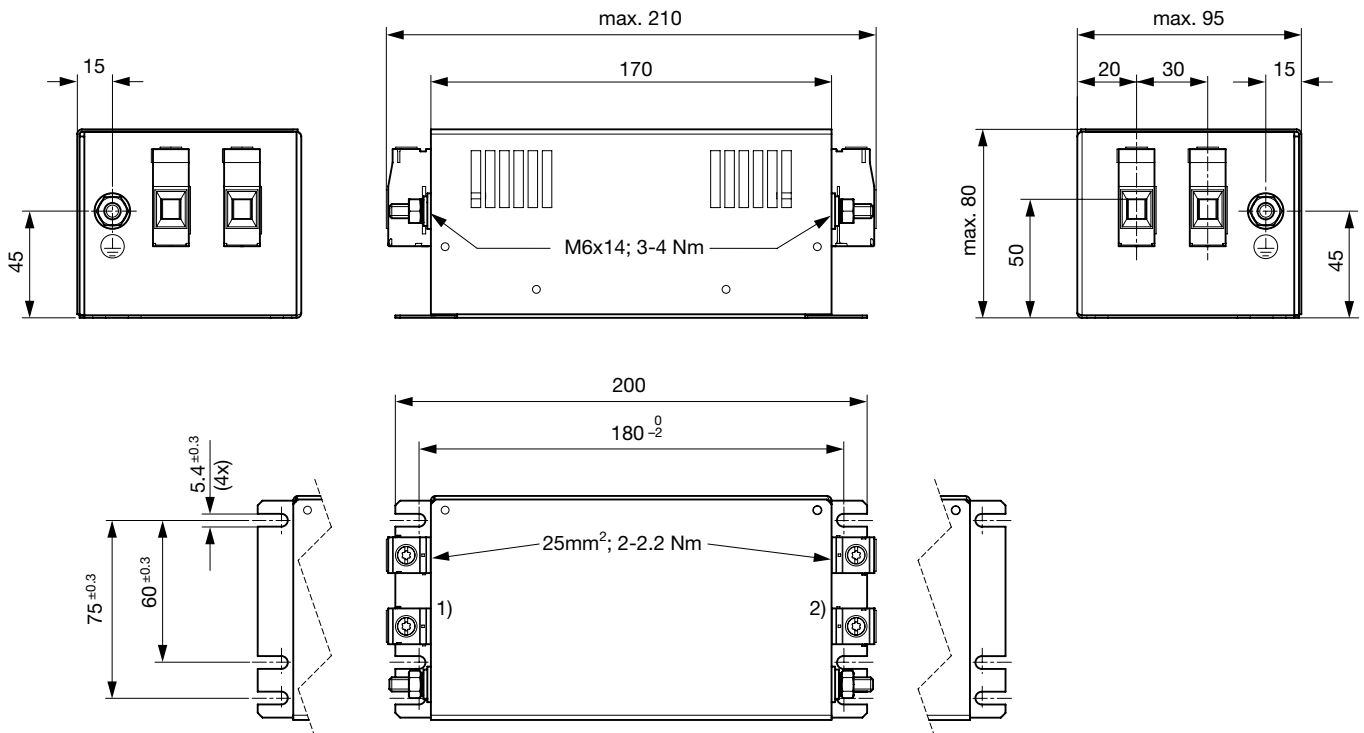
**Dimension**

Case 2P



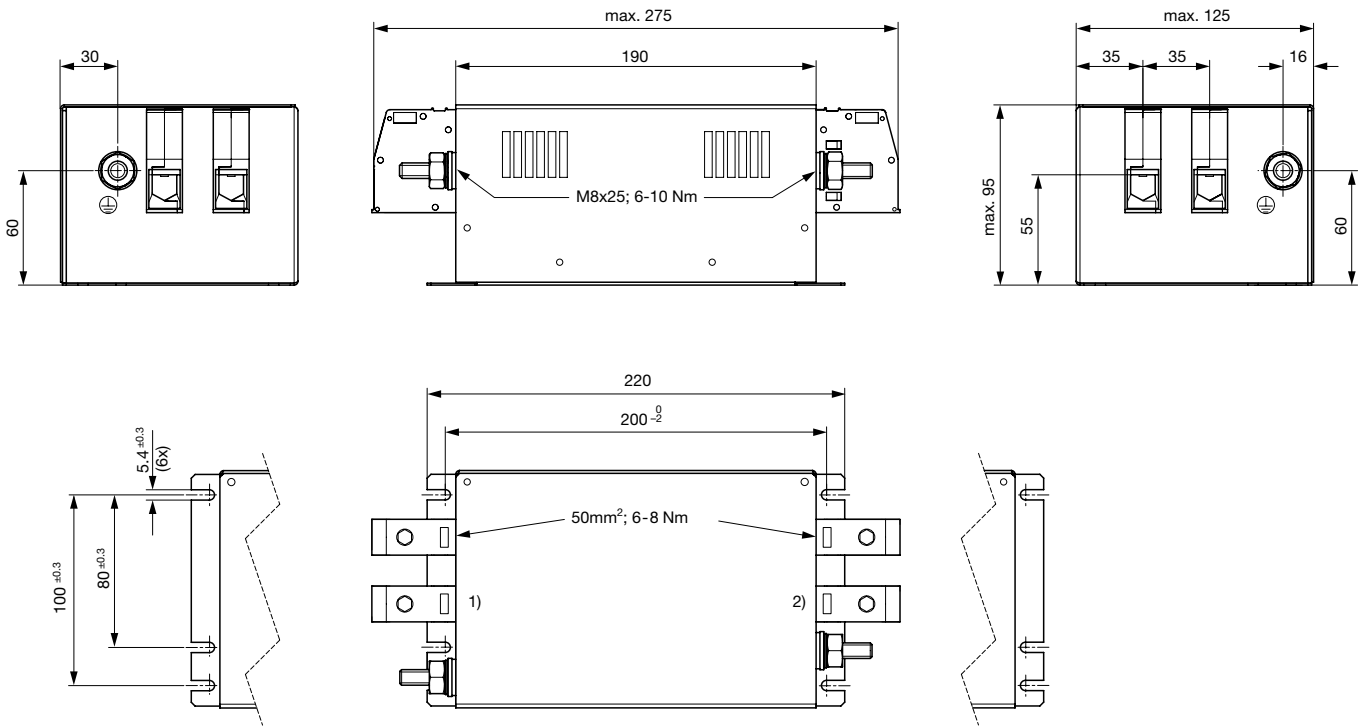
- 1) PV module
- 2) Inverter

Case 2Q



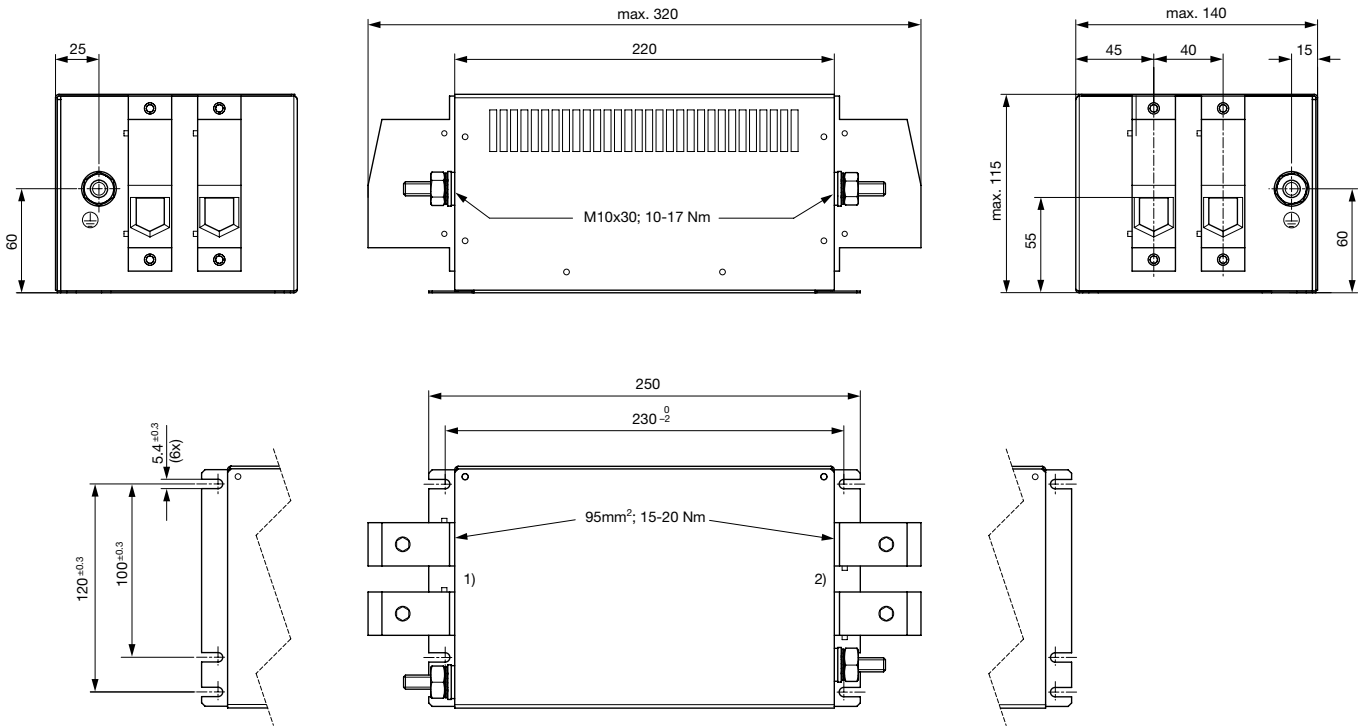
- 1) PV module
- 2) Inverter

Case 2R



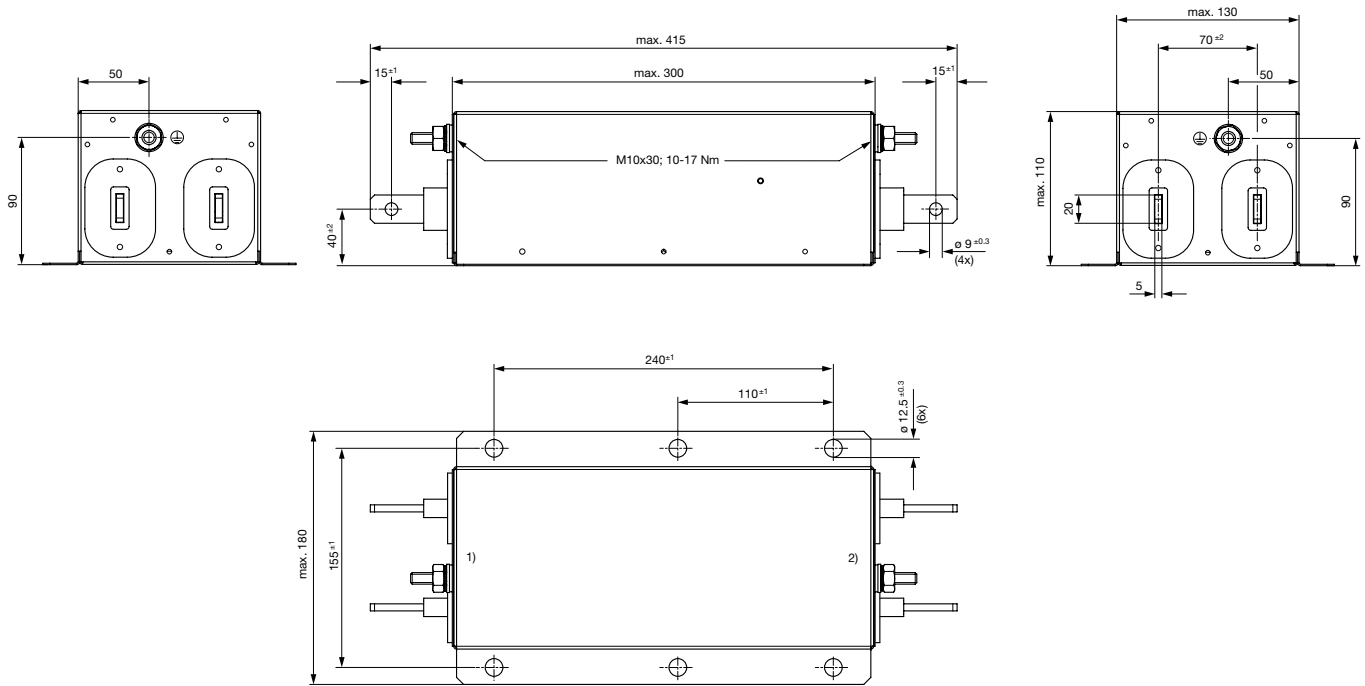
- 1) PV module
- 2) Inverter

Case 2S



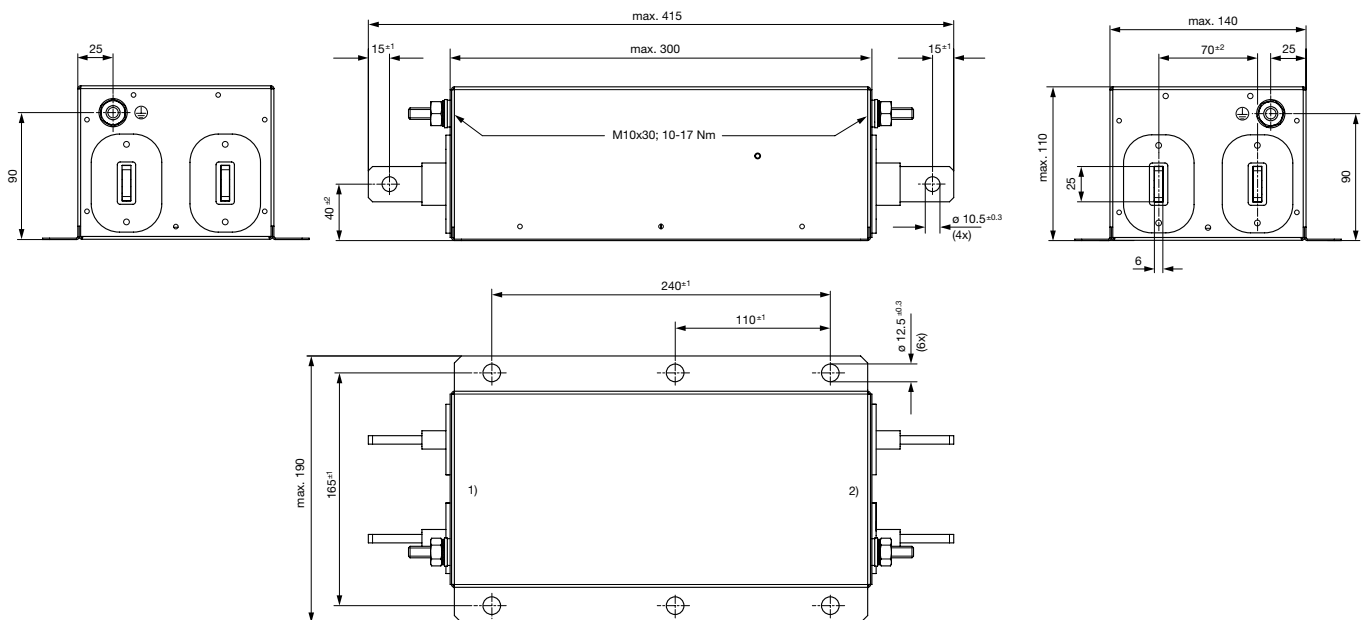
- 1) PV module
- 2) Inverter

Case 2T



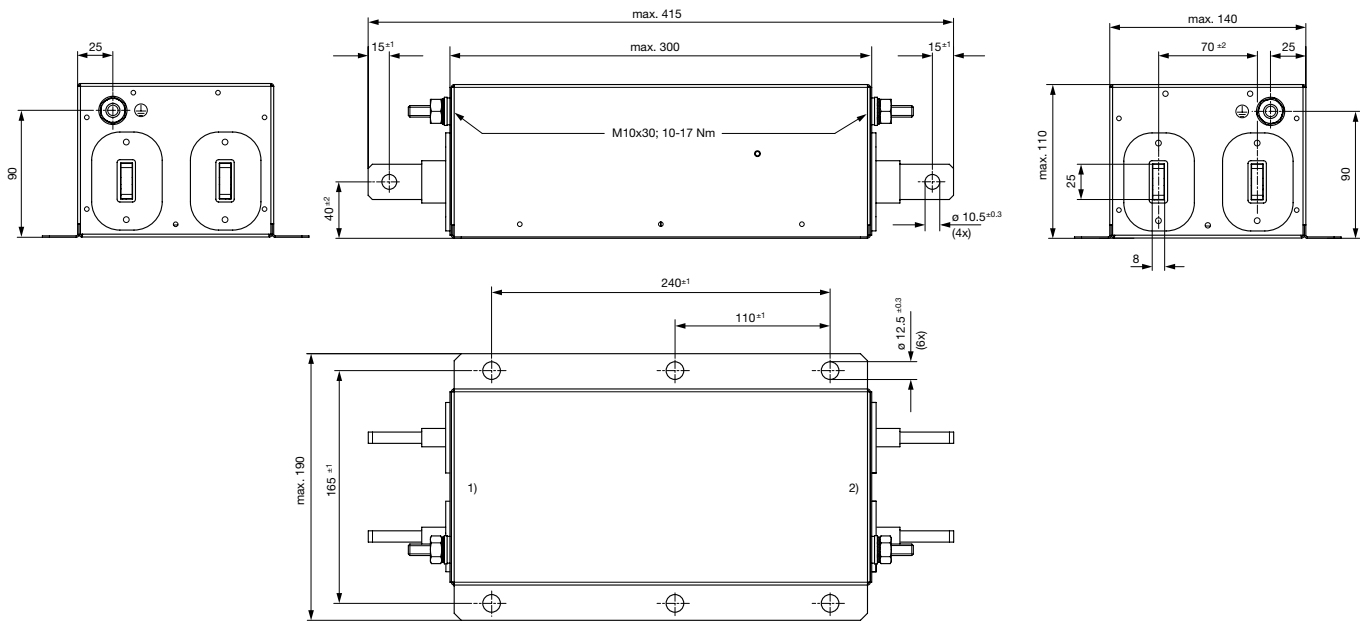
- 1) PV module
- 2) Inverter

Case 2U1



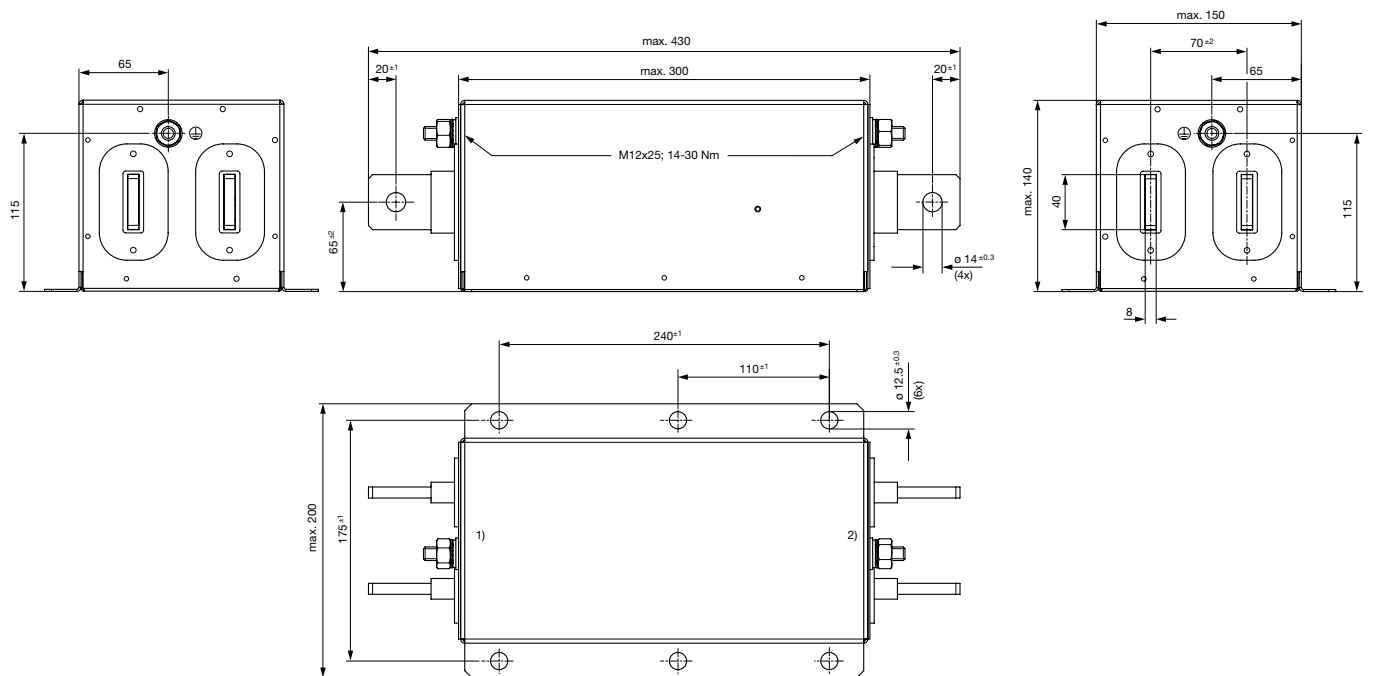
- 1) PV module
- 2) Inverter

Case 2U2



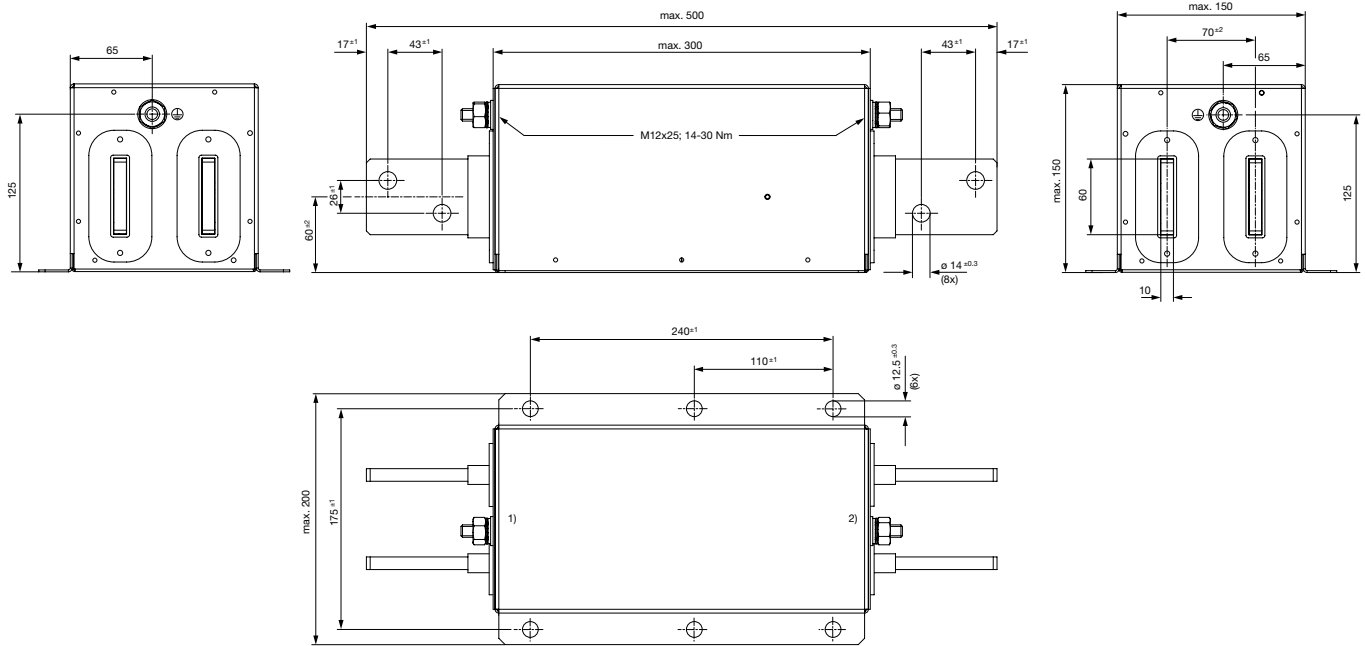
- 1) PV module
- 2) Inverter

Case 2V



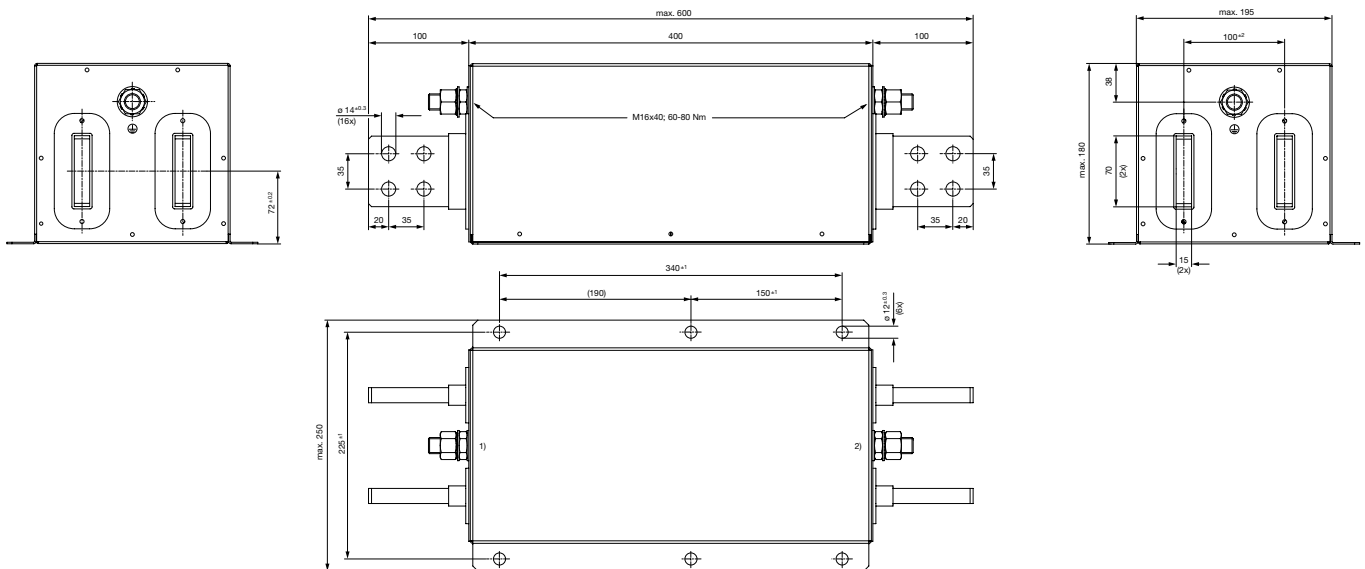
- 1) PV module
- 2) Inverter

Case 2W



- 1) PV module
- 2) Inverter

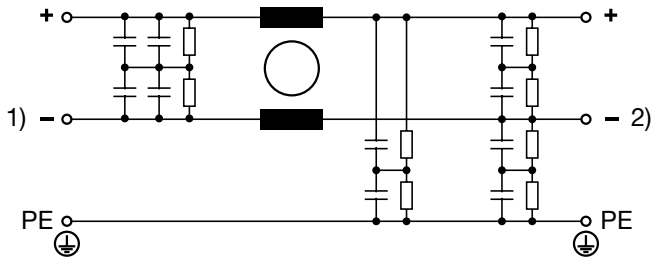
Case 2Z



- 1) PV module
- 2) Inverter

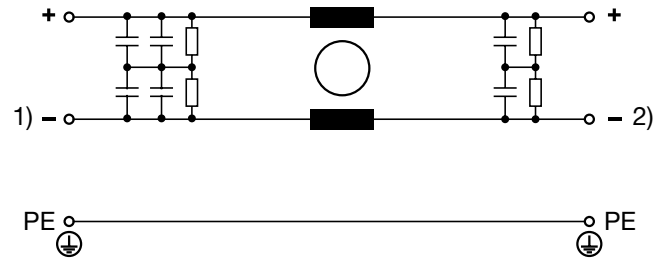
**Diagrams**

Standard version

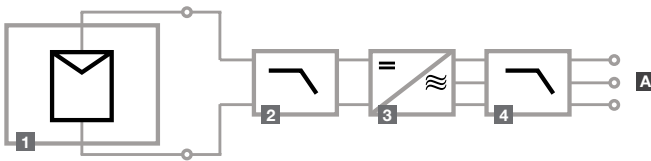


- 1) Photovoltaic module
- 2) Frequency inverter

Version with low leakage current



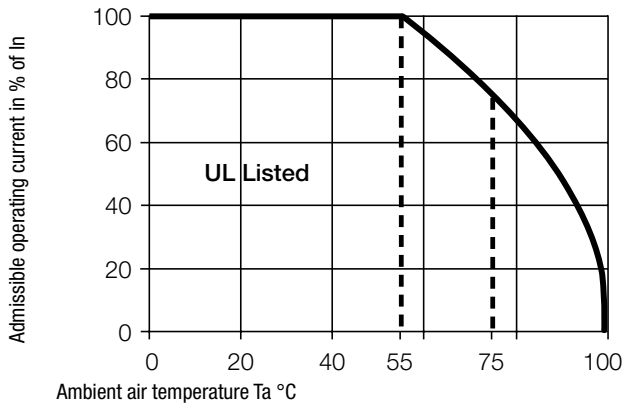
- 1) Photovoltaic module
- 2) Frequency inverter



- 1) Photovoltaic module
- 2) DC filter
- 3) Frequency inverter
- 4) AC filter
- A) Power grid

**Derating Curves**

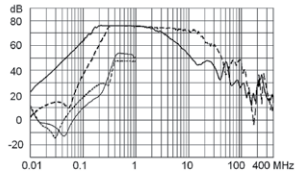
Permissible Working Current as a Function of Ambient Temperature



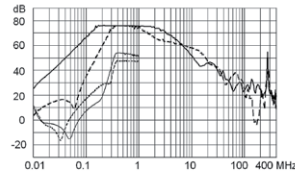
**Attenuation Loss** . . . . . 0.1/100Ω differential mode ..... 100/0.1Ω differential mode - - - - differential mode \_\_\_\_ common mode

Standard version

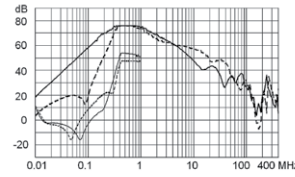
25 A



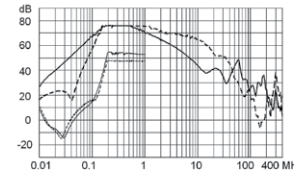
50 A



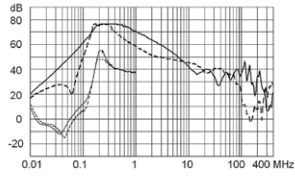
75 A



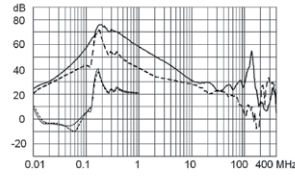
100 A



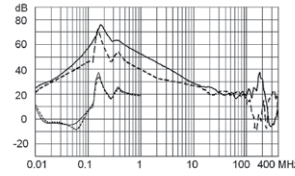
150 A



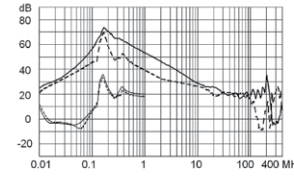
250 A



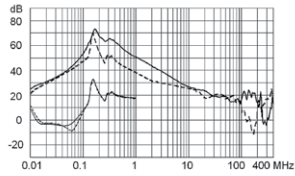
400 A



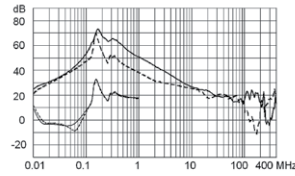
600 A



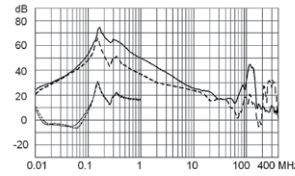
800 A



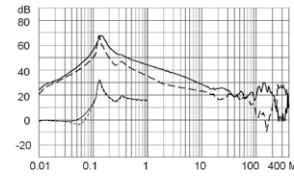
1000 A



1500 A

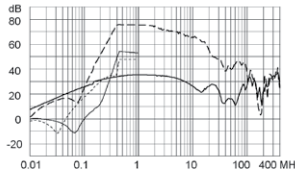


2300 A

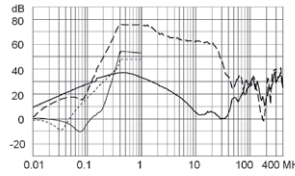


Low leakage current version

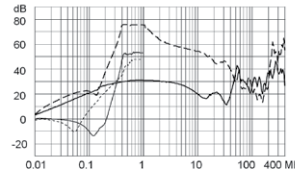
25 A



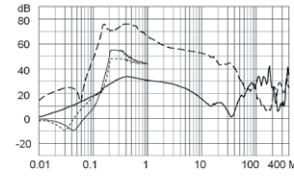
50 A



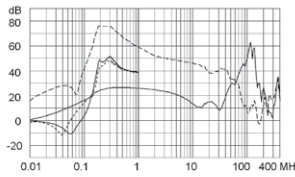
75 A



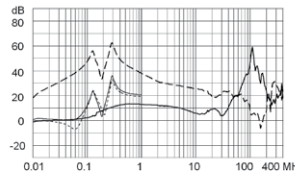
100 A



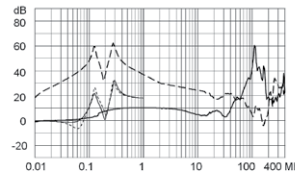
150 A



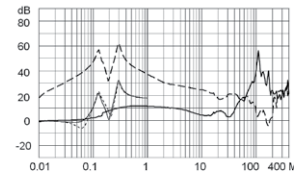
250 A



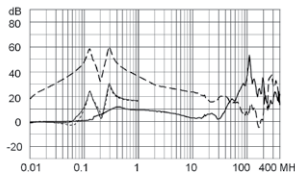
400 A



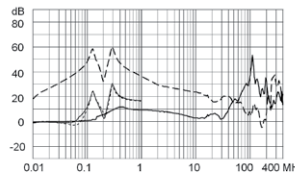
600 A



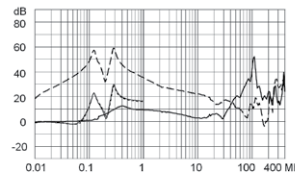
800 A



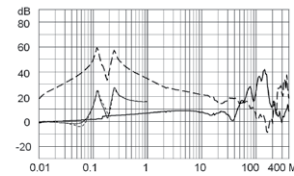
1000 A



1500 A



2300 A





All Variants

Rated Current @ Ta 55°C (75°C) [A]	Rated Voltage [VDC]	cURus approval [VDC]	Power <sub>loss</sub> [W]	Weight [kg]	Housing	Order Number	
25 (19)	1200	600	4,1	1 kg	2P	FMER-G92P-2517	■
50 (33)	1200	600	11,5	2 kg	2Q	FMER-G92Q-5017	■
75 (47)	1200	600	11,3	2 kg	2Q	FMER-G92Q-7517	■
100 (64)	1200	600	12,6	3 kg	2R	FMER-G92R-J017	■
150 (100)	1200	600	17,6	5 kg	2S	FMER-G92S-J517	■
250 (186)	1200	1000	7,8	8 kg	2T	FMER-G92T-K557	
400 (280)	1200	1000	13,3	9 kg	2U1	FMER-G92U-M057	■
600 (380)	1200	1000	22,4	10 kg	2U2	FMER-G92U-U057	■
800 (600)	1200	1000	24,8	13 kg	2V	FMER-G92V-Q057	■
1000 (600)	1200	1000	38,8	13 kg	2V	FMER-G92V-S057	■
1500 (1060)	1200	1000	45,0	32 kg	2W	FMER-G92W-S557	
2300 (1200)	1200	1000	80,5	32 kg	2Z	FMER-G92Z-T357	■
25 (19)	1200	600	4,1	1 kg	2P	FMER-G62P-2517	■
50 (33)	1200	600	11,5	2 kg	2Q	FMER-G62Q-5017	■
75 (47)	1200	600	11,3	2 kg	2Q	FMER-G62Q-7517	■
100 (64)	1200	600	12,6	3 kg	2R	FMER-G62R-J017	■
150 (100)	1200	600	17,6	5 kg	2S	FMER-G62S-J517	
250 (186)	1200	1000	7,8	8 kg	2T	FMER-G62T-K557	■
400 (280)	1200	1000	13,3	9 kg	2U1	FMER-G62U-M057	■
600 (380)	1200	1000	22,4	10 kg	2U2	FMER-G62U-U057	■
800 (600)	1200	1000	24,8	13 kg	2V	FMER-G62V-Q057	
1000 (600)	1200	1000	38,8	13 kg	2V	FMER-G62V-S057	■
1500 (1060)	1200	1000	45,0	32 kg	2W	FMER-G62W-S557	■
2300 (1200)	1200	1000	80,5	32 kg	2Z	FMER-G62Z-T357	■

■ Most Popular.

Availability for all products can be searched real-time: <http://www.schurter.com/en/Stock-Check/Stock-Check-SCHURTER>

FMER-G62x-xxxx: low leakage current version without capacitor to ground