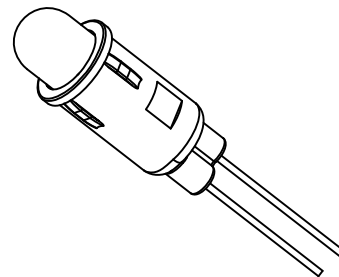
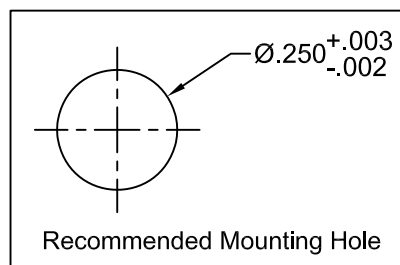
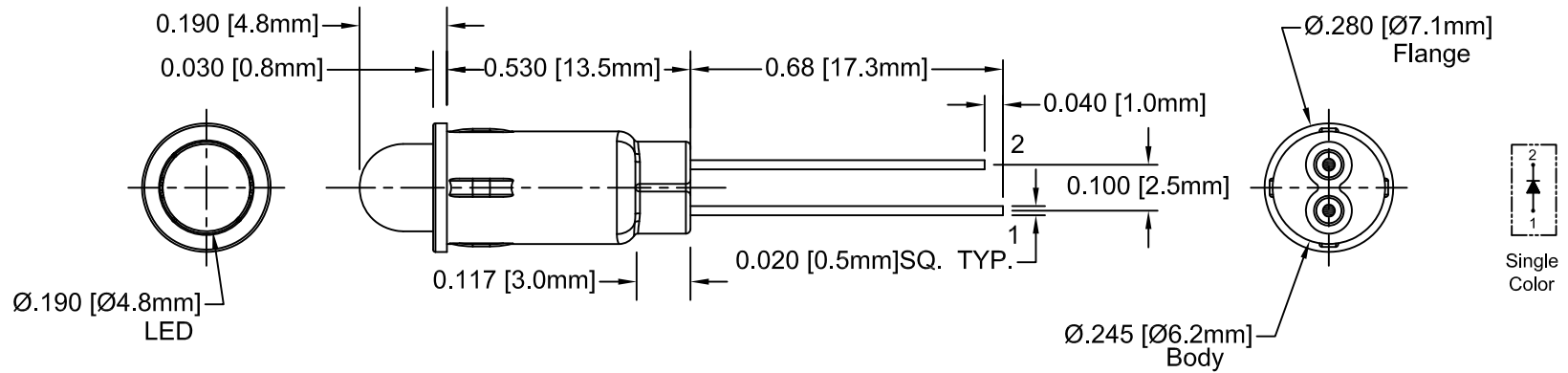


# 352 Series

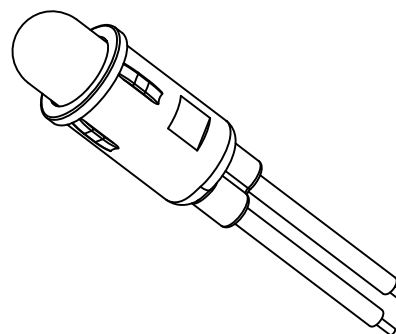
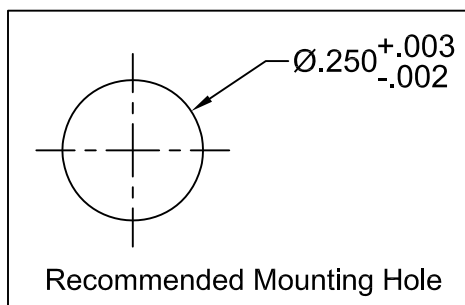
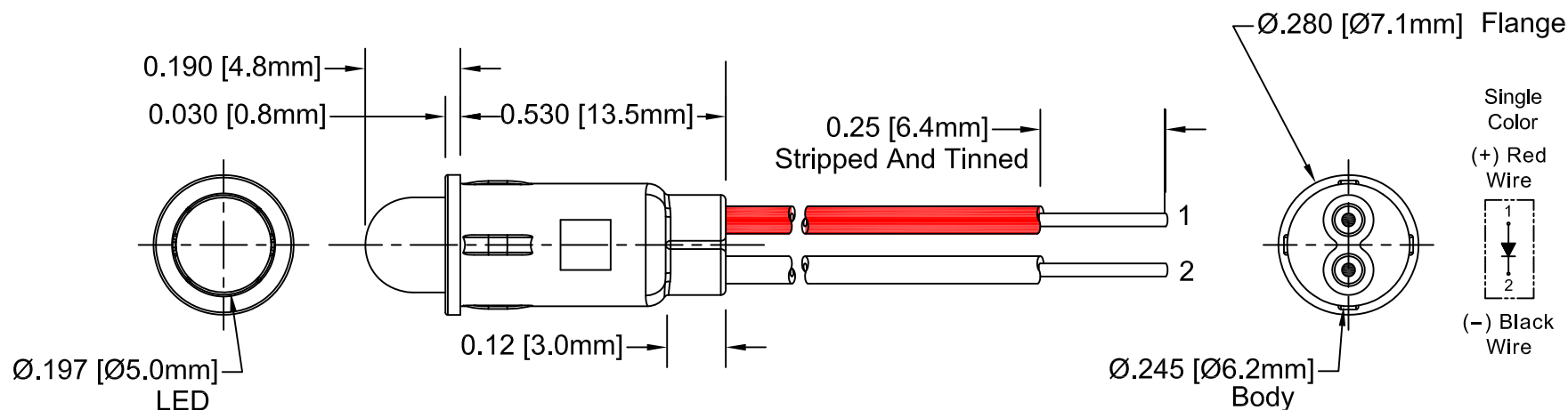



## ABSOLUTE MAXIMUM RATINGS ( $T_a = 25^\circ\text{C}$ )

REVERSE VOLTAGE	_____	5V
REVERSE CURRENT ( $V_R=5V$ )	_____	100 $\mu$ A
OPERATING TEMPERATURE RANGE	_____	-25°C ~ 85°C
STORAGE TEMPERATURE	_____	-30°C ~ 100°C
LEAD SOLDERING TEMPERATURE (1/16" FROM BODY)	_____	260°C for 5 Seconds



STANDARD TOLERANCE (UNLESS OTHERWISE SPECIFIED)		<b>MARL</b>	MARL BUSINESS PARK, ULVERSTON, UK. LA12 9BN Tel: +44 (0)1229 582 430. Web: www.leds.co.uk
<u>DECIMALS</u>	<u>ANGULAR</u>		
.X     ± .1	X°   ± 1°		
.XX   ± .02			<b>TITLE:</b> STD PANEL MOUNT INDICATORS
.XXX  ± .010			<b>PART NO:</b> 352 Series
<b>Provisional</b>		<b>SHEET # 1 OF 3</b>	
<small>CAD GENERATED DOCUMENT, DO NOT MEASURE DRAWING.</small>			

# 352 Series (Flying Leads version)



STANDARD TOLERANCE ( UNLESS OTHERWISE SPECIFIED )		 MARL BUSINESS PARK, ULVERSTON, UK. LA12 9BN Tel: +44 (0)1229 582 430. Web: www.leds.co.uk
DECIMALS	ANGULAR	
.X $\pm .1$	$X^\circ \pm 1^\circ$	<b>TITLE:</b> STD PANEL MOUNT INDICATORS <b>PART NO:</b> 352 Series SHEET # 2 OF 3
.XX $\pm .02$		
.XXX $\pm .010$		
Provisional		CAD GENERATED DOCUMENT, DO NOT MEASURE DRAWING.

Marl Part No.	Chip			Lens Appearance	Electro-Optical Data @ 20mA				Viewing Angle 2 Ø 1/2 (Deg)	LED P/N	Termination
	Material	Peak Wave Length	Emitted Colour		If (mA)	Vf (V)		Iv (mcd)			
						MAX	TYP				
352-520-04	GaN/SiC	430	BLUE	DIFFUSED	25	4	4.5	15	45	520	PINS
352-520-04-40											12IN FLYING LEADS
352-512-04	GaP/GaP	568	GREEN	TINTED	30	2.1	2.8	40	35	512	PINS
352-512-04-40											12IN FLYING LEADS
352-505-04	GaP/GaP	700	RED	DIFFUSED	20	2.1	2.8	2	45	505	PINS
352-505-04-40											12IN FLYING LEADS
352-509-04	GaAsP/GaP	590	YELLOW	TINTED	30	2	2.8	40	35	509	PINS
352-509-04-40											12IN FLYING LEADS

STANDARD TOLERANCE ( UNLESS OTHERWISE SPECIFIED )			MARL BUSINESS PARK, ULVERSTON, UK. LA12 9BN Tel: +44 (0)1229 582 430. Web: www.leds.co.uk
DECIMALS	ANGULAR		
.X ± .1	X° ± 1°		<b>TITLE:</b> STD PANEL MOUNT INDICATORS
.XX ± .02			<b>PART NO:</b> 352 Series
.XXX ± .010			<b>SHEET #</b> 3 OF 3
<b>Provisional</b>		CAD GENERATED DOCUMENT, DO NOT MEASURE DRAWING.	