

IEC Appliance Inlet C14 with Line Switch 2-pole, Fuseholder 1- or 2-pole

Standard or Medical Fuse drawer



### Description

- Panel Mount:  
Screw-on version from front or rear side
- 3 Functions:  
Appliance Inlet Protection class I, Line Switch 2-pole, Fuseholder for fuse-links 5 x 20 mm 1- or 2-pole
- Quick connect terminals 4.8 x 0.8 mm

### Approvals

- VDE Certificate Number: 40018283
- UL File Number: E93617

### Characteristics

- Ultra-compact design. Ideal for low profile designs
- All single elements are already wired
- Fuse drawer meets requirements of medical standard IEC/EN 60601-1  
The fuseholder is accessible from the equipment front  
For added safety "Extra-Safe" fuse drawers are available
- Ideal for application with high transient loads  
Designed for standard and medical applications
- Suitable for use in equipment according to IEC/UL 60950

### Other versions on request

- Solder terminals
- Fuse drawer 1-pole, plus spare fuse case
- Fuse drawer 2-pole, with shorting bar
- Other rocker marking
- Line switch 1-pole
- Protection class II, 70°C
- Variant with notch for V-Lock mating Cordsets

### References

- Alternative: version with line filter [DD12](#)
- Alternative: version for snap-in mounting [KM](#)
- Alternative: version for PCB mounting [DD21](#)

### Weblinks

[pdf-datasheet](#), [html-datasheet](#), [General Product Information](#), [Approvals](#), [CE declaration of conformity](#), [RoHS](#), [CHINA-RoHS](#), [Mating Connectors](#), [e-Shop](#), [SCHURTER-Stock-Check](#), [Distributor-Stock-Check](#), [CAD-Drawings](#), [Accessories](#), [Wire Harnessing](#), [Detailed request for product](#)

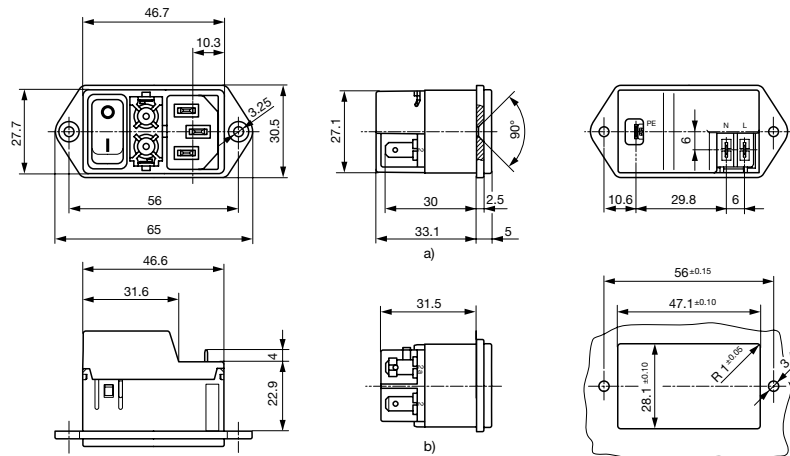
### Technical Data

Ratings IEC	10A / 250VAC; 50Hz	Appliance Inlet	C14 acc. to IEC 60320
Ratings UL/CSA	8A / 250VAC; 60Hz <sup>1)</sup>		UL 498, CSA C22.2 no. 42 (for cold conditions) pin-temperature 70 °C, 10A, Protection Class I
Dielectric Strength	> 2.5kVAC between L-N > 3kVAC between L/N-PE (1 min/50Hz)	Fuseholder	1 or 2 pole, Shocksafe category PC2 acc. to IEC 60127-6, for fuse-links 5 x 20 mm
Allowable Operation Temp.	-25 °C to 85 °C	Rated Power Acceptance @ Ta 23 °C	5 x 20: 2W (1 pole)/ 1.6W (2-pole) per pole
Degree of Protection	from front side IP 40 acc. to IEC 60529	Power Acceptance @ Ta > 23°C	Admissible power acceptance at higher ambient temperature see derating curves
Protection Class	Suitable for appliances with protection class I acc. to IEC 61140	Line Switch	Rocker switch 2-pole, non-illuminated or illuminated, acc. to IEC 61058-1 <a href="#">Technical Details</a>
Terminal	Quick connect terminals 4.8 x 0.8 mm		
Panel Thickness s	Screw-on mounting: max 8mm Mounting screw torque max 0.5Nm Rear side mounting: max 2 mm		
Material: Housing	Thermoplastic, black, UL 94V-0		

<sup>1)</sup> with cover 7 A, without cover 8 A

## Dimensions

Screw version

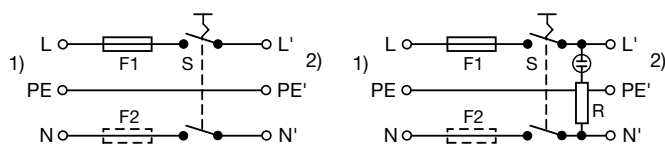


a) view with cover  
b) view without cover

## Diagrams

non illuminated

illuminated

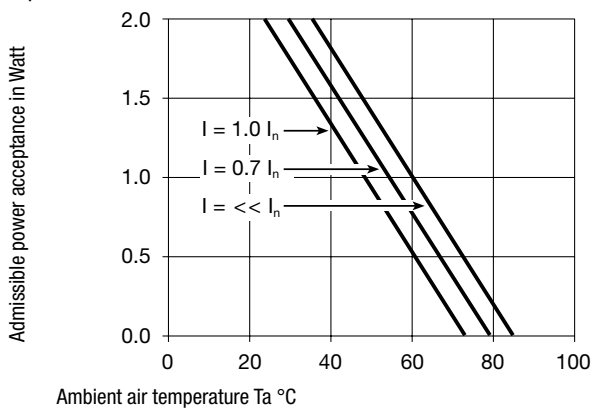


1) Line  
2) Load

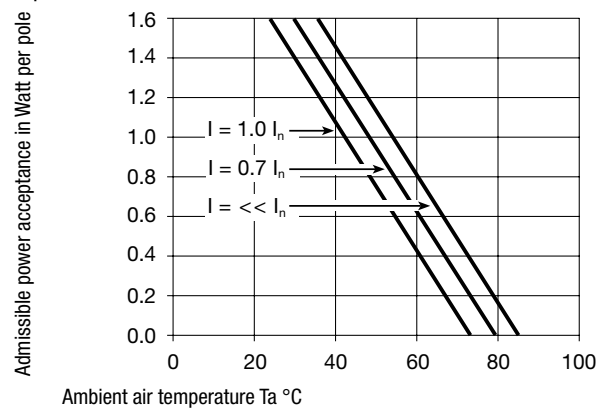
1) Line  
2) Load

## Derating Curves

1-pole



2-pole



## All Variants

Fuseholder	Line Switch	Illumination	Color	Cover 1)	Order Number
1-pole	2-pole	non-illuminated	-		DD11.0111.1110
1-pole	2-pole	illuminated	red		DD11.0113.1110
1-pole	2-pole	illuminated	green		DD11.0114.1110
2-pole	2-pole	non-illuminated	-		DD11.0121.1110
2-pole	2-pole	illuminated	red		DD11.0123.1110
2-pole	2-pole	illuminated	green		DD11.0124.1110
1-pole	2-pole	non-illuminated	-	●	DD11.0111.1111
1-pole	2-pole	illuminated	red	●	DD11.0113.1111

1-pole	2-pole	illuminated	green	●	DD11.0114.1111	■
2-pole	2-pole	non-illuminated	-	●	DD11.0121.1111	■
2-pole	2-pole	illuminated	red	●	DD11.0123.1111	■
2-pole	2-pole	illuminated	green	●	DD11.0124.1111	■

<sup>1)</sup> current rating UL: with cover 7 A, without cover 8 A

■ Most Popular.

Availability for all products can be searched real-time: <http://www.schurter.com/en/Stock-Check/Stock-Check-SCHURTER>

**Packaging unit** 50 Pcs

### Required Accessory

#### Description



**Fusedrawer 2**  
Fusedrawer für Fuse Links 5x20 mm, with or without Voltage Selector Insert

### Accessories



**Wire Harness**  
Wire harness for SCHURTER products



**Cord retaining kits**  
Cord retaining strain relief

### Mating Outlets/Connectors

#### Category / Description



[Appliance Outlet Overview complete](#)

IEC Appliance Outlet F, Screw-on Mounting, Front Side, Solder Terminal	4787
IEC Appliance Outlet F, Snap-in Mounting, Front Side, Solder or Quick-connect Terminal	4788
IEC Appliance Outlet F or H, Screw-on Mounting, Front Side, Solder, PCB or Quick-connect Terminal	5091

[Appliance Outlet further types to DD11](#)

[Connector Overview complete](#)

<a href="#">IEC Connector C15A, Rewireable, Straight</a>	<a href="#">0102</a>
<a href="#">IEC Connector C15A, Rewireable, Straight</a>	<a href="#">0102-G</a>
<a href="#">IEC Connector C15A, Rewireable, Angled</a>	<a href="#">0112</a>
<a href="#">IEC Connector C13, Rewireable, Angled</a>	<a href="#">4012</a>
<a href="#">IEC Connector C13, Rewireable, Straight</a>	<a href="#">4022</a>
<a href="#">Connector further types to DD11</a>	<a href="#">...</a>