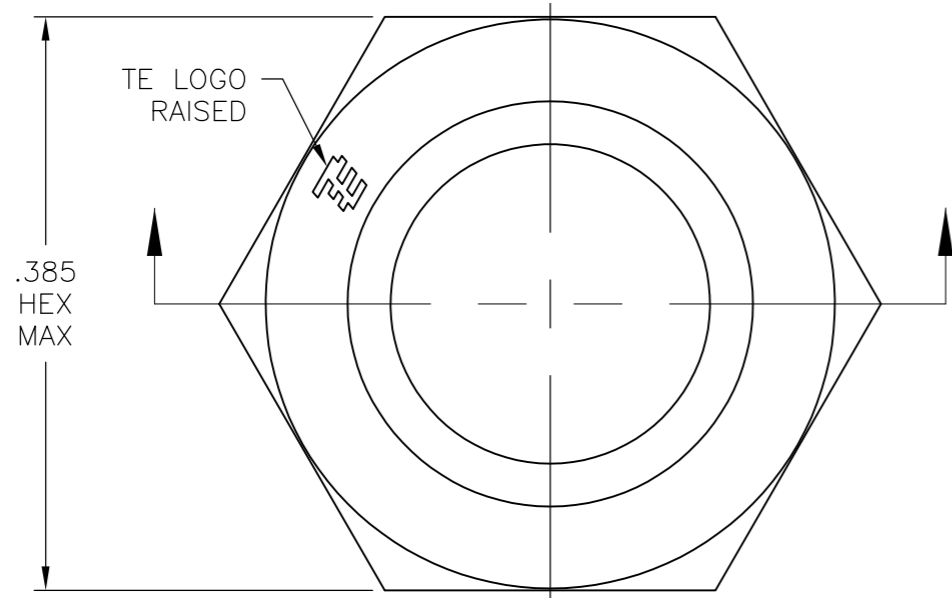
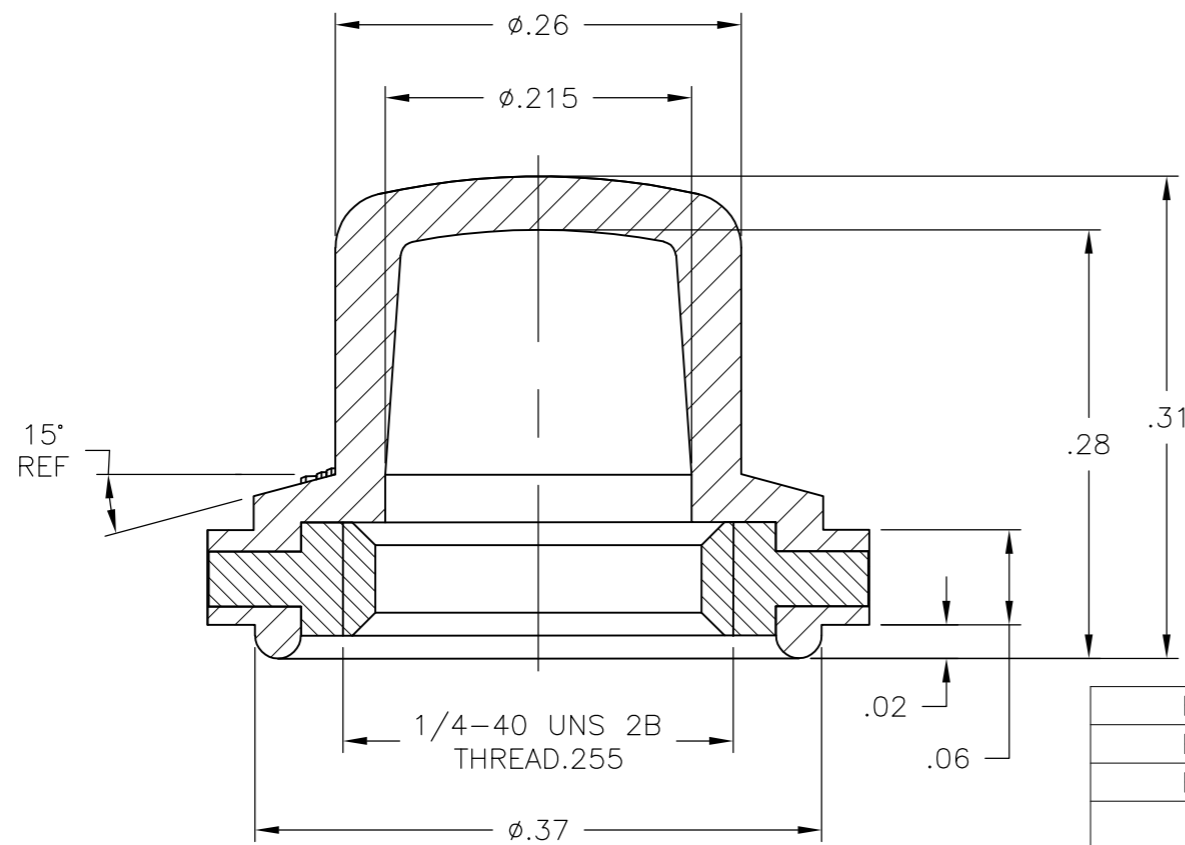


THIS DRAWING IS UNPUBLISHED. RELEASED FOR PUBLICATION
 © COPYRIGHT BY TYCO ELECTRONICS CORPORATION. ALL RIGHTS RESERVED.

| LOC | DIST | REVISIONS | | | |
|-----|------|---------------------------|---------|-----|------|
| P | LTR | DESCRIPTION | DATE | DWN | APVD |
| | B1 | REVISED PER ECO-08-019381 | 07AUG08 | HMR | MW |



- SOME DIMENSIONS MAY VARY DUE TO DIFFERENT COMPOUND SHRINKAGE FACTOR.
- MINOR FLASH ACCEPTABLE ON INSERT THREAD.
- BLACK FINISH/NICKEL PLATING ON INSIDE THREADS REMOVED DUE TO MODEL PROCESS PERMITTED.
- RUBBER TO METAL BOND MUST MEET OR EXCEED THE TEAR STRENGTH OF RUBBER.
- RUBBER OVERLAY PERMISSIBLE OVER HEX FLATS AS SHOWN IN THE DRAWING.
- COMPONENTS MUST COMPLY WITH THE EUROPEAN DIRECTIVE 2002/95/EC ON RESTRICTION OF THE USE OF CERTAIN HAZARDOUS SUBSTANCES IN ELECTRICAL AND ELECTRONIC EQUIPMENT (ROHS DIRECTIVE).



| BPA1440804 | SILICONE, COLOR GRAY | BRASS, NICKEL PLATE PER QQ-N-290 | 1825604-3 |
|-------------|-----------------------|----------------------------------|-------------|
| BPA1440204 | SILICONE, COLOR RED | BRASS, NICKEL PLATE PER QQ-N-290 | 1825604-2 |
| BPA1440004 | SILICONE, COLOR BLACK | BRASS, BLACK OXIDE PER MIL-F-495 | 1825604-1 |
| ALCO NUMBER | RUBBER BOOT MATERIAL | HEX NUT MATERIAL | PART NUMBER |

| | | | | |
|--|--|--------------------------------|---|-----------------------|
| THIS DRAWING IS A CONTROLLED DOCUMENT. | | DWN S SCHLEGEL 03MAR2008 | Tyco Electronics Corporation Harrisburg, PA 17105-3608 | |
| DIMENSIONS: INCHES | | CHK M WILBOURN 3/3/08 | NAME MINIATURE 1/4-40 PUSHBUTTON BOOT SEAL | |
| | | APVD M WILBOURN 3/3/08 | RESTRICTED TO | |
| TOLERANCES UNLESS OTHERWISE SPECIFIED: | | PRODUCT SPEC | SIZE A3 | |
| 0 PLC ± - | | APPLICATION SPEC | CAGE CODE 00779 | DRAWING NO 1825604 |
| 1 PLC ± - | | WEIGHT | SCALE 8:1 | |
| 2 PLC ± .01 | | SHEET 1 OF 1 | | |
| 3 PLC ± .005 | | REV B1 | | |
| 4 PLC ± - | | CUSTOMER DRAWING | | |
| ANGLES ± 5' | | SCALE 8:1 SHEET 1 OF 1 REV B1 | | |
| FINISH | | SCALE 8:1 SHEET 1 OF 1 REV B1 | | |