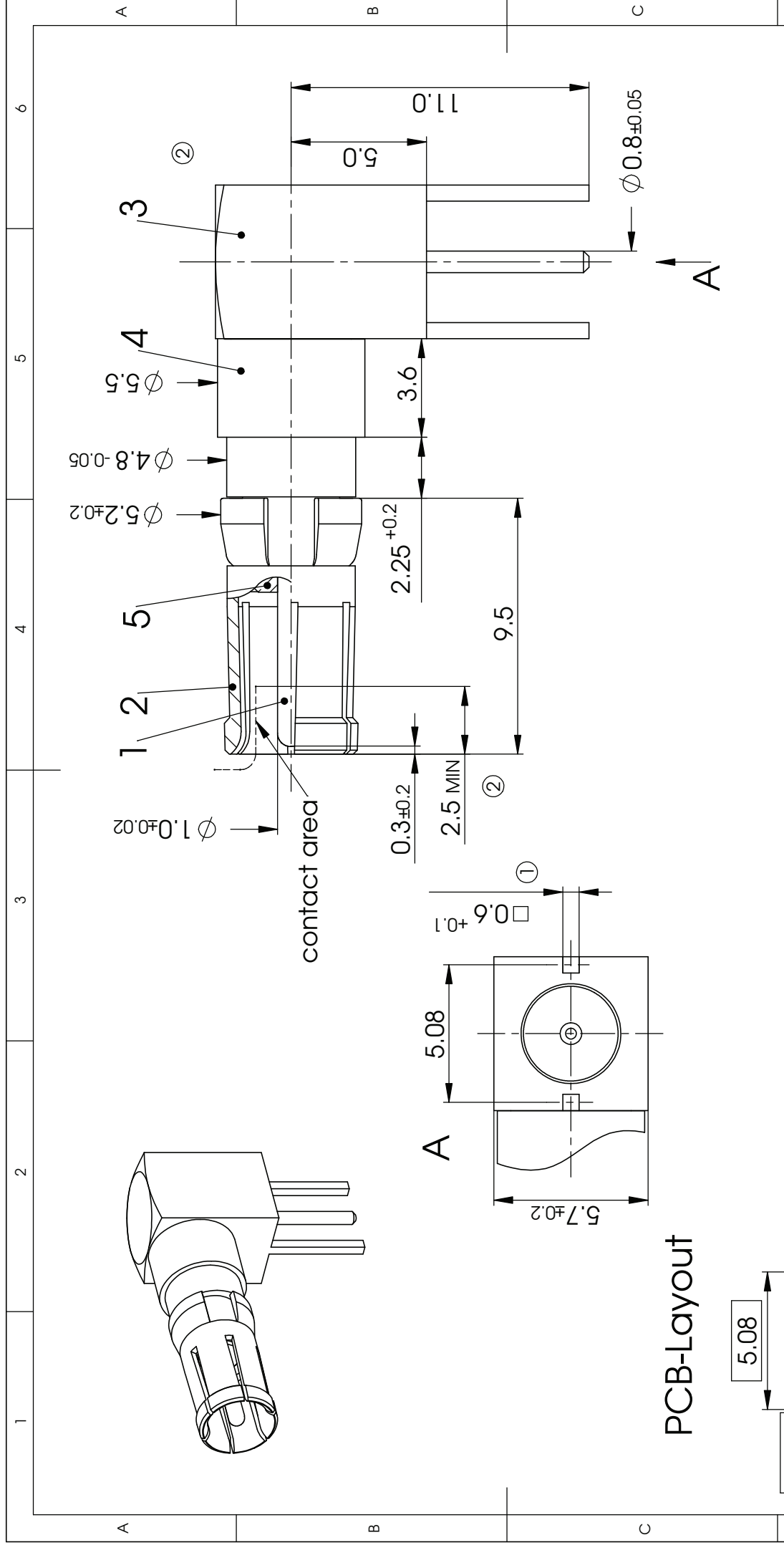
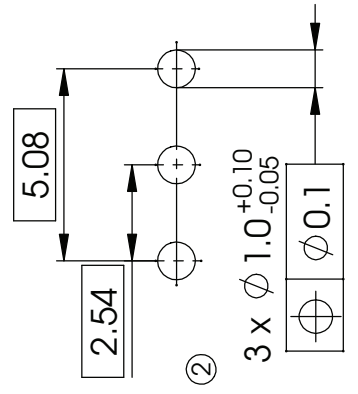


COMMENT:
 ALL RIGHTS ARE RESERVED BY US FOR THIS DRAWING. WITHOUT OUR PRIOR CONSENT,
 IT MAY NEITHER BE DUPLICATED NOR MADE AVAILABLE TO A THIRD PARTY,
 AND IT ALSO MAY NOT BE IMPROPERLY USED BY THE RECEIVER, OR A THIRD PARTY.



PCB-Layout



IMPEDANCE		50 Ohm		COAXIAL CONTACT		SCALE		CABLE	
FOR		D-SUB		DRAWN		5:1			
DIMENSIONS IN MM		DATE		CHECKED		NAME			
MATERIAL + FINISH SEE EXTRA SHEET		12-03-2003		12-07-2006		D. Bocan			
UNLESS OTHERWISE SPECIFIED DIMENSIONS FOR REFERENCE ONLY						msteinbrueck			
REV.		DATE		INDEX		PART NO.		REV.	
2		12-07-2006		11381		FCT group		2	
						www.fctgroup.com		FME008S	
						ORIGINAL: DIN A4-DRAWING AS A FILE		REPLACEMENT FOR:	
								PAGE: 1/1	