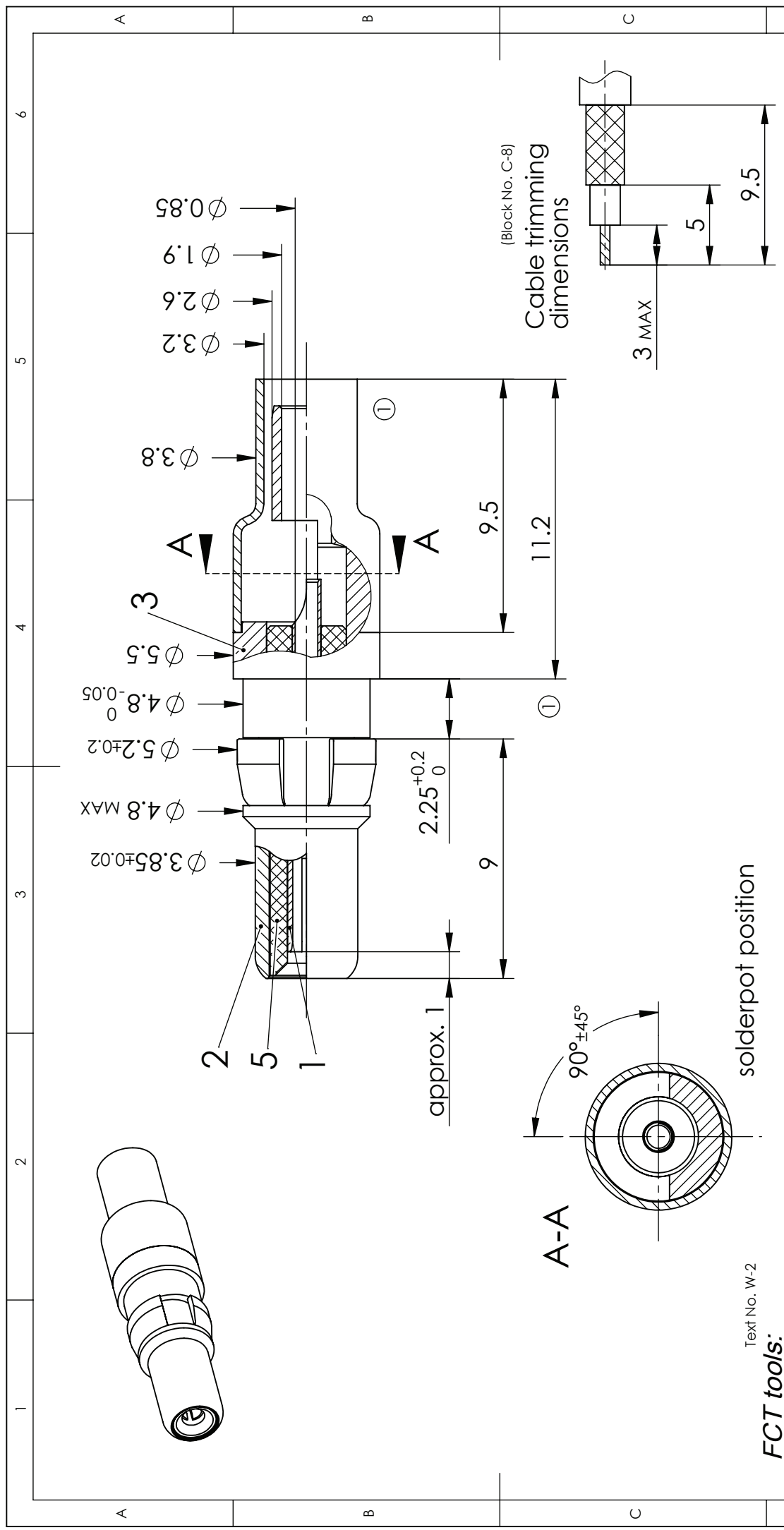


COMMENT:
 ALL RIGHTS ARE RESERVED BY US FOR THIS DRAWING. WITHOUT OUR PRIOR CONSENT,
 IT MAY NEITHER BE DUPLICATED NOR MADE AVAILABLE TO A THIRD PARTY.
 AND IT ALSO MAY NOT BE IMPROPERLY USED BY THE RECEIVER, OR A THIRD PARTY.



Text No. W-2
FCT tools:
 Crimping of outer conductor:
 Hand tool: M22520/5-01
 Die: Y1 535P cavity B
 Pneumatic crimp tool: HX23
 (replacement for PH4001) ②
 Extraction tool: DRK38

solderpot position

IMPEDANCE		50 Ohm		COAXIAL CONTACT		SCALE		CABLE	
FOR		D-SUB		DRAWN		1:1		RG174U, RG188AU, RG316U	
DIMENSIONS IN MM		MATERIAL + FINISH SEE EXTRA SHEET		CHECKED		NAME / DATE		DATA SHEET	
UNLESS OTHERWISE SPECIFIED DIMENSIONS FOR REFERENCE ONLY		2		17-10-2012		23305		INDEX	
REV.		DATE		INDEX		ORIGINAL: DIN A4-DRAWING AS A FILE		REPLACEMENT FOR:	
1		2		2		2		PART NO.	
								FMX006P	
								REV.	
								2	
								PAGE: 1/1	