

SO SERIES

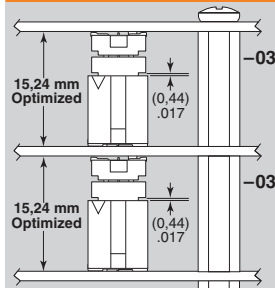
PRECISION BOARD STACKING STANDOFF

SPECIFICATIONS

For complete specifications and recommended PCB layouts see www.samtec.com?SO

Material:
Aluminum
Locking Compound:
Nylon

APPLICATIONS

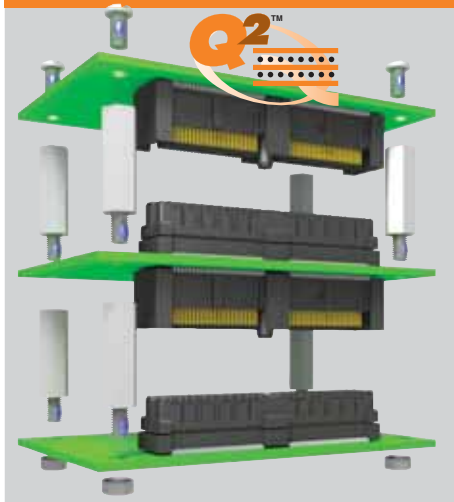


See QMS/QFS Series SUMIT™ & PCI/104-Express™ connectors

Requires Standoff SO-1524-03-01-02-L 15.24mm board spacing. Connectors designed to not fully seat when mated.

See next page for more applications!

APPLICATIONS



Ideal for use with all Samtec SI connectors

Precision machined tolerances ($\pm .002''$ (0,05 mm))

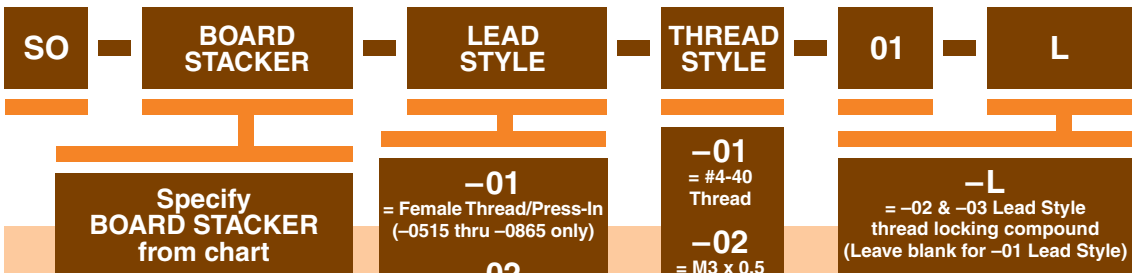


- Precision machined
- Locking compound

Stack heights from 5 mm to 25 mm

ALSO AVAILABLE (MOQ Required)

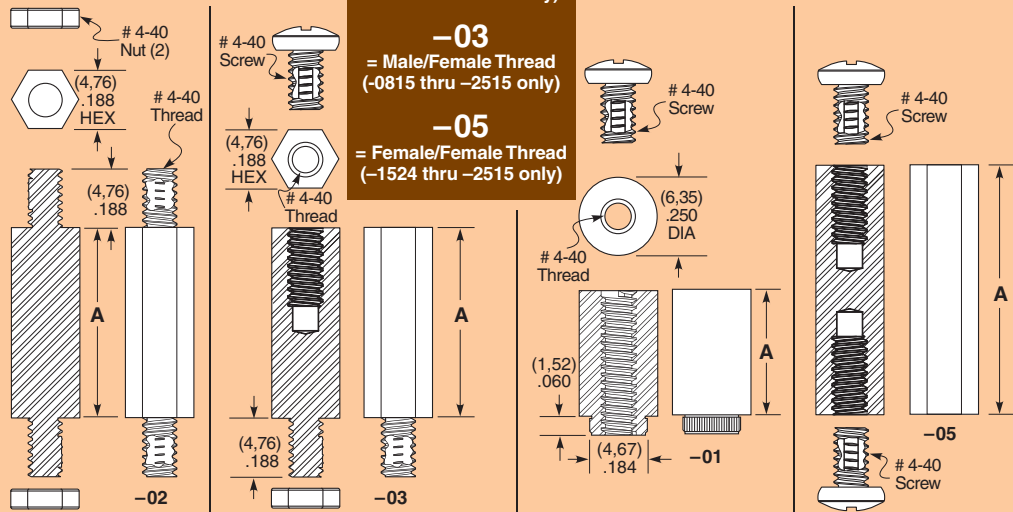
- Other heights
 - Stainless Steel
 - Locking compound removed
 - Other materials and threading
 - No Hardware
- Contact Samtec.



BOARD STACKER	A	BOARD STACK HEIGHT
-0515	(5,15) .203	5 mm
-0715	(7,15) .282	7 mm
-0815	(8,15) .321	8 mm
-0865	(8,65) .341	8,5 mm
-1115	(11,15) .439	11 mm
-1215	(12,15) .478	12 mm
-1524	(15,24) .600	15,24 mm
-1615	(16,15) .636	16 mm
-1890	(18,90) .744	18,75 mm
-1915	(19,15) .754	19 mm
-2515	(25,15) .990	25 mm

Note: Standoffs are designed, 0,15 mm longer than connector stack heights to allow for processing variables.

Note: Some sizes, styles and options are non-standard, non-returnable.



Components are to be packaged in separate bags unassembled.

Due to technical progress, all designs, specifications and components are subject to change without notice.

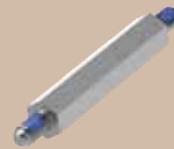
SO-0515-01-01-01



SO-1215-02-01-01-L



SO-1915-02-01-01-L



SO SERIES

STACKING STANDOFF APPLICATIONS



Stack Height	Type Interconnect	Trade Name	Series Name	Pitch	Standoff
5 mm	Strip	Q Series®	QTH/QSH	.5 mm	SO-0515-01-01-01
		B Series	BTH/BSH	.5 mm	
		Q Series®	QTS/QSS	.635 mm	
		Q Series®	MIT/MIS	.635 mm	
		B Series	BTS/BSS	.635 mm	
		Q Series®	QTE/QSE	.8 mm	
7 mm	Strip	Edge Rate™	ERM8/ERF8	.8 mm	SO-0715-01-01-01
	Array	SEARAY™	SEAM/SEAF	1.27 mm	
8 mm	Strip	Q Series®	QTH/QSH	.5 mm	SO-0815-01-01-01
		B Series	BTH/BSH*	.5 mm	
		Q Series®	QTS/QSS	.635 mm	
		Q Series®	MIT/MIS	.635 mm	
		B Series	BTS/BSS*	.635 mm	
		Q Series®	QTE/QSE	.8 mm	
8.5 mm	Array	SEARAY™	SEAM/SEAF	1.27 mm	SO-0865-01-01-01
	11 mm	Strip	Q Series®	QTH/QSH	.5 mm
B Series			BTH/BSH*	.5 mm	
Q Series®			QTS/QSS*	.635 mm	
Q2™			QMS/QFS	.635 mm	
Q2™			QMSS/QFSS	.635 mm	
Q Series®			MIT/MIS*	.635 mm	
B Series			BTS/BSS*	.635 mm	
Q Series®			QTE/QSE	.8 mm	
B Series			BTE/BSE*	.8 mm	
Q2™			QMS/QFS	.635 mm	
12 mm	Strip	Edge Rate™	ERM8/ERF8	.8 mm	SO-1215-02-01-01-L
	Array	SEARAY™	SEAM/SEAF	1.27 mm	
15.24 mm	Strip	Q2™	QMS/QFS	.635 mm	SO-1524-02-01-01-L SO-1524-03-01-01-L
		16 mm	Strip	Q Series®	QTH/QSH
B Series	BTH/BSH*			.5 mm	
Q Series®	QTS/QSS*			.635 mm	
Q2™	QMS/QFS			.635 mm	
Q Series®	MIT/MIS*			.635 mm	
B Series	BTS/BSS*			.635 mm	
Q Series®	QTE/QSE			.8 mm	
Edge Rate™	ERM8/ERF8			.8 mm	
B Series	BTE/BSE*			.8 mm	
Array	SEARAY™			SEAM/SEAF	1.27 mm
18.75 mm	Strip	Q Series®	MIT/MIS*	.635 mm	SO-1890-02-01-01-L
19 mm	Strip	Q Series®	QTH/QSH	.5 mm	SO-1915-02-01-01-L
		B Series	BTH/BSH*	.5 mm	
		Q Series®	QTE/QSE	.8 mm	
		RiseUp®	RU8	.8 mm	
		B Series	BTE/BSE*	.8 mm	
25 mm	Strip	Q Series®	QTH/QSH	.5 mm	SO-2515-02-01-01-L
		Q Series®	QTE/QSE	.8 mm	
		RiseUp®	RU8	.8 mm	
		B Series	BTE/BSE*	.8 mm	
	Array	HD Mezz***	HDAM/HDAF	1.2 mm	

*ASO (Application Specific Option) ***HD Mezz is a trademark of Molex Incorporated

Due to technical progress, all designs, specifications and components are subject to change without notice.