

Data Sheet

SP064xxVGNF

Page 1/4

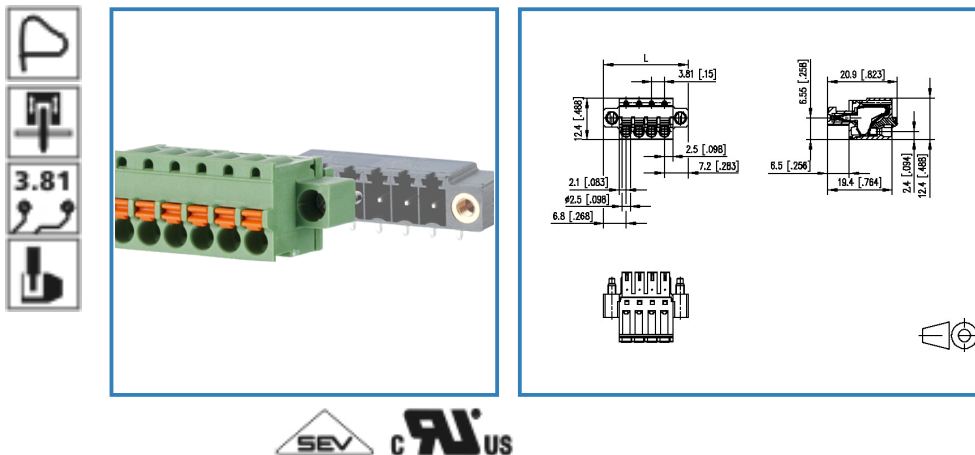
P/N

ASP084xx

xx=number of poles

2013/12/05

Illustration




see enlarged drawing at the end of the document

Product specification

- spring clamp terminal block, pluggable
- centerline 3.81 mm, direction of connection vertical 0°
- color green, mounting flange
- push-button, wire entry uncodeable side parallel to plug direction
- Connection data

 V / A / AWG 150 / 8 / 28 - 16

 9 A / 130 V / 2.5 kV / 3 / IEC 61984 / 0.08 - 1.5 mm²

Data Sheet

SP064xxVGNF


Technical Data

General Data

min. number of poles	2		
max. number of poles	24		
Insulating material class	CTI 600		
clearance/creepage dist.	1.9 mm		
protection category	IP 20		
Overvoltage category	III	III	II
Pollution degree	3	2	2
Rated voltage	125 V	320 V	320 V
Rated test voltage	2.5 kV	2.5 kV	2.5 kV

Connection data

 V / A / AWG	150 / 8 / 28 - 16
--	-------------------

	9 A / 130 V / 2.5 kV / 3 / IEC 61984 / 0.08 - 1.5 mm ²
--	---

Material

insulating material	PA66
flammability class	V0

Climatic properties

upper limit temperature	105 °C
lower limit temperature	-40 °C

General

Tolerance	ISO 2768 -mH
-----------	--------------



Data Sheet

SP064xxVGNF

Page 3/4

P/N

ASP084xx

xx=number of poles

2013/12/05

Matching Part

P/N	Product name
313901	PR044xxHBBF Typ 390
313911	PR044xxVBBF Typ 391
313921	PT094xxHBBF Typ 392
313931	PT094xxVBBF Typ 393

Accessories

P/N	Product name
700025-01-9	700025



Data Sheet

SP064xxVGNF

Page 4/4

P/N

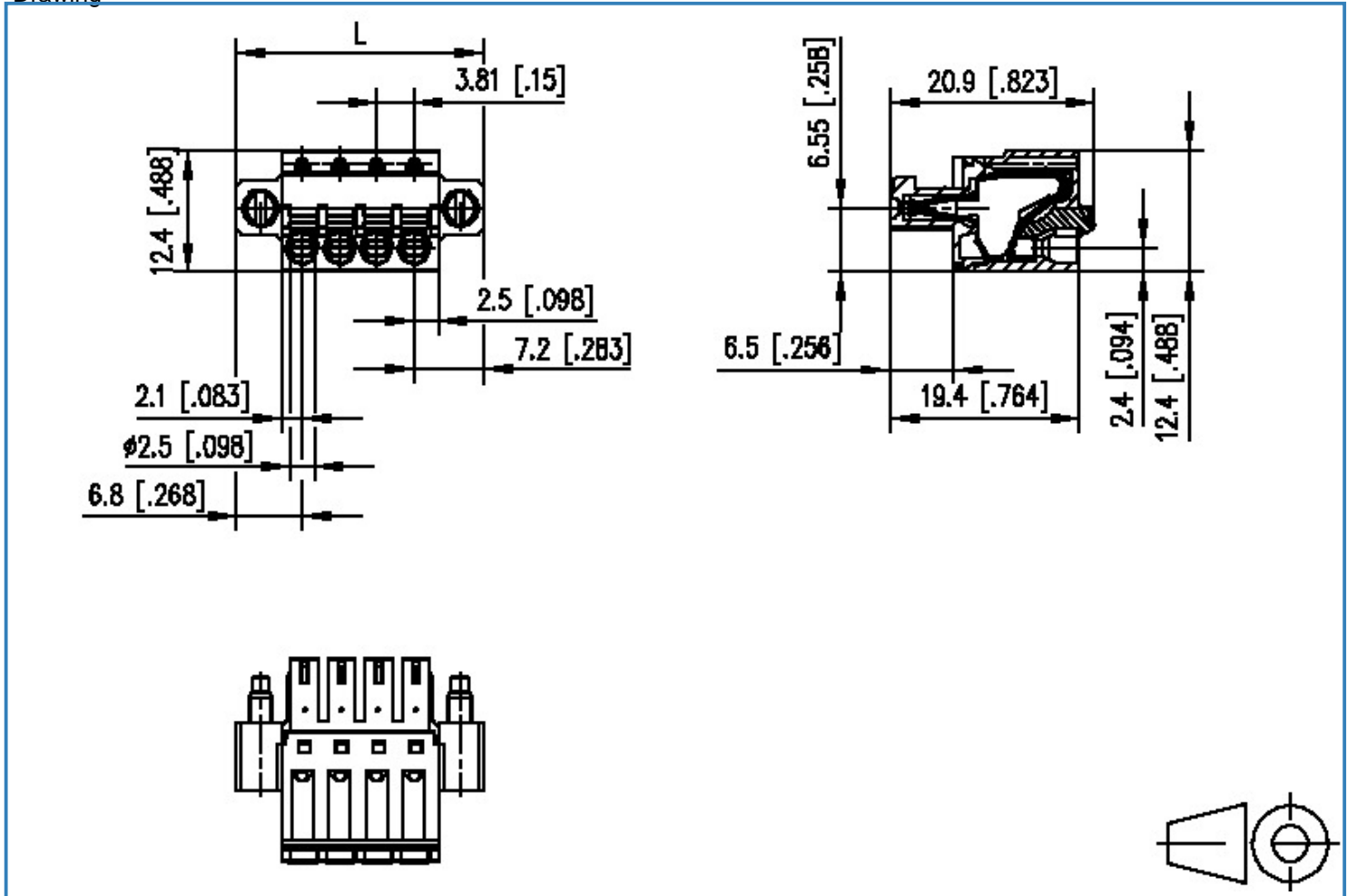
ASP084xx

xx=number of poles

2013/12/05

Illustration

Drawing



$L = (\text{pole size} - 1) \times \text{centerline} + 13.96 [0.55]$

