

# 26 GHz Bias Tee

## PSPL5541A Datasheet

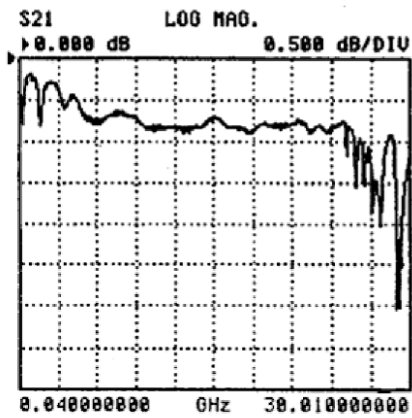


The Model PSPL5541A is a very broadband, coaxial bias insertion tee and DC blocking capacitor. It passes very fast rise pulses with a minimum of waveform distortion. Its rise time is only 8 ps. The frequency response is flat over many decades, and the -3 dB bandwidth extends from 80 kHz to beyond 26 GHz.

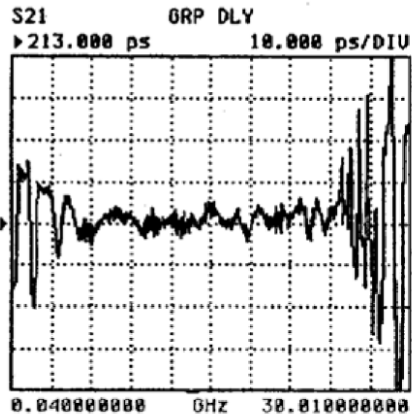
### Key performance specifications

- 80 kHz to 26 GHz
- 8 ps rise time
- 50 V, 100 mA

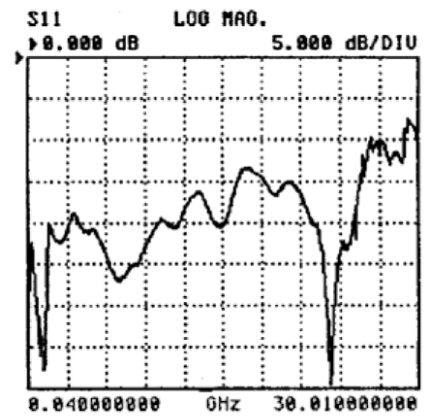
### Typical performance



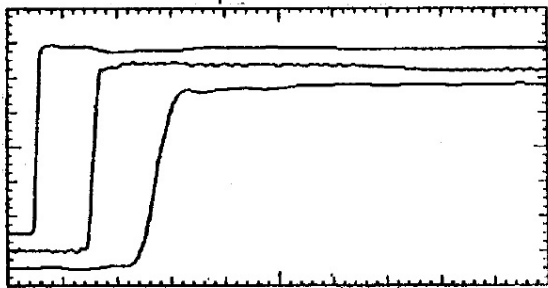
**Insertion Loss, AC to AC+DC**  
0.5 dB/div and 3 GHz/div



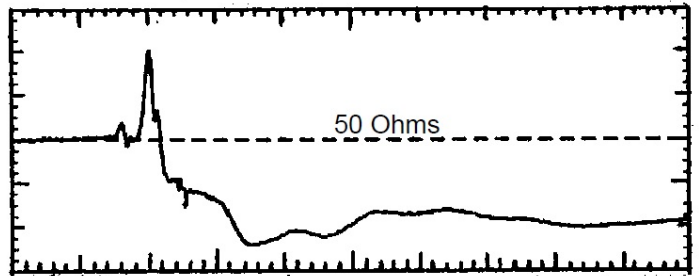
**Group Delay**  
10 ps/div and 3 GHz/div



**Return Loss**  
5 dB/div and 3 GHz/div



500 ps/div, 100 ps/div, 20 ps/div  
10 ps Step Response

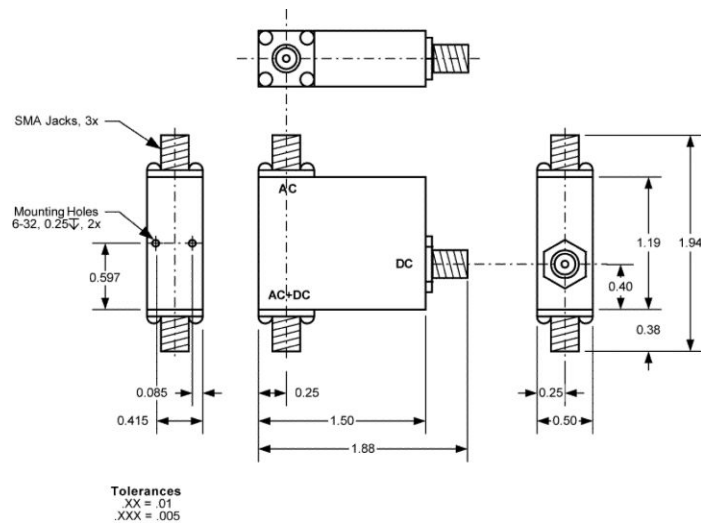


2.5% rho/div and 500 ps/div  
35 ps TDR

# Specifications

Parameter	Symbol	Units	Minimum	Typical	Maximum	Comments
Impedance	Z	Ohms		50		
Upper 3 dB frequency	$f_{c,h}$	GHz		>26		
Lower 3 dB frequency	$f_{c,l}$	kHz		80		
Rise time	$t_r$	ps		8	12	10 – 90%
Insertion loss	$S_{21}$	dB		0.4 1 1.5		Typical f < 6 GHz f < 20 GHz
Return loss	$S_{11}$	dB		20 >15		f = 100 MHz f < 10 GHz
Refl. Coefficient (35 ps TDR)	$\Gamma$	%		-5		t > 1 ns (AC Port)
DC voltage	V	Volts			50	
DC current	I	mA			100	
Capacitance	C	$\mu$ F		0.02		+/-20%
Inductance	L	mH		1		+/-20%
Resistance	R	Ohm		3.7		
RF power	P	W			2	Average power
Isolation	$S_{13}$	dB		>40		
DC path bandwidth	$f_{c,DC}$	kHz		16		
Delay	Td	ps		213		AC port to AC+DC port
RF Connectors	SMA jacks (f)					
DC Connector	SMA jack (f)					
Warranty	One Year					

## Mechanical dimensions



# Ordering information

## Models

PSPL5541A

BIAS TEE, 26 GHz, 50 V

**ASEAN / Australasia** (65) 6356 3900  
**Belgium** 00800 2255 4835\*  
**Central East Europe and the Baltics** +41 52 675 3777  
**Finland** +41 52 675 3777  
**Hong Kong** 400 820 5835  
**Japan** 81 (3) 6714 3010  
**Middle East, Asia, and North Africa** +41 52 675 3777  
**People's Republic of China** 400 820 5835  
**Republic of Korea** 001 800 8255 2835  
**Spain** 00800 2255 4835\*  
**Taiwan** 886 (2) 2722 9622

**Austria** 00800 2255 4835\*  
**Brazil** +55 (11) 3759 7627  
**Central Europe & Greece** +41 52 675 3777  
**France** 00800 2255 4835\*  
**India** 000 800 650 1835  
**Luxembourg** +41 52 675 3777  
**The Netherlands** 00800 2255 4835\*  
**Poland** +41 52 675 3777  
**Russia & CIS** +7 (495) 6647564  
**Sweden** 00800 2255 4835\*  
**United Kingdom & Ireland** 00800 2255 4835\*

**Balkans, Israel, South Africa and other ISE Countries** +41 52 675 3777  
**Canada** 1 800 833 9200  
**Denmark** +45 80 88 1401  
**Germany** 00800 2255 4835\*  
**Italy** 00800 2255 4835\*  
**Mexico, Central/South America & Caribbean** 52 (55) 56 04 50 90  
**Norway** 800 16098  
**Portugal** 80 08 12370  
**South Africa** +41 52 675 3777  
**Switzerland** 00800 2255 4835\*  
**USA** 1 800 833 9200

\* European toll-free number. If not accessible, call: +41 52 675 3777

Updated 10 April 2013

**For Further Information.** Tektronix maintains a comprehensive, constantly expanding collection of application notes, technical briefs and other resources to help engineers working on the cutting edge of technology. Please visit [www.tektronix.com](http://www.tektronix.com).

Copyright © Tektronix, Inc. All rights reserved. Tektronix products are covered by U.S. and foreign patents, issued and pending. Information in this publication supersedes that in all previously published material. Specification and price change privileges reserved. TEKTRONIX and TEK are registered trademarks of Tektronix, Inc. All other trade names referenced are the service marks, trademarks, or registered trademarks of their respective companies.



23 Jul 2014

1PW-30568-0

[www.tektronix.com](http://www.tektronix.com)

