

50A 48VDC EMI Filters

Features

- ◆ High Attenuation
- ◆ Stud Terminal Connection
- ◆ Compact Size



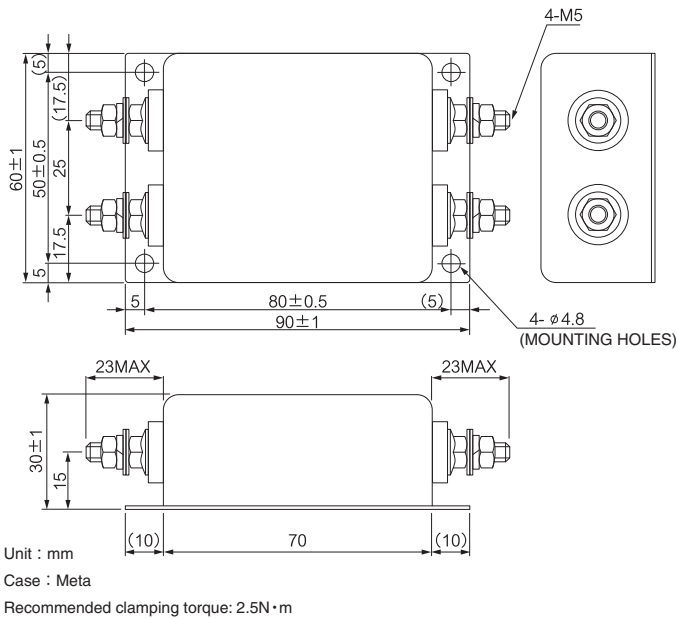
Key Market Segments & Applications



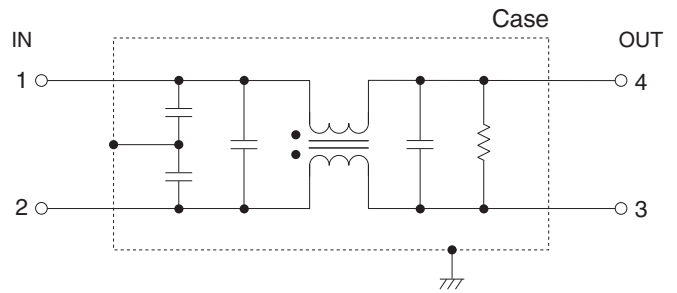
Specifications

Model		RDEN-048050
Rated Voltage	VDC	48VDC (76VDC Max)
Rated Current	A	50A
Withstand Voltage	VDC	Terminals to Case: 1500VDC 60s
Isolation Resistance	MΩ	500MΩ minimum at 500VDC for 1 minute
Leakage Current	mA	Not Applicable
DC Resistance	mΩ	3
Operating Temperature	°C	-30 to +85 (see derating curve)
Storage Temperature	°C	-30 to +85
Safety Agency Certification	-	UL/CSA60950-1, EN60939
Weight (Typ)	g	310
Warranty	yrs	1 Year

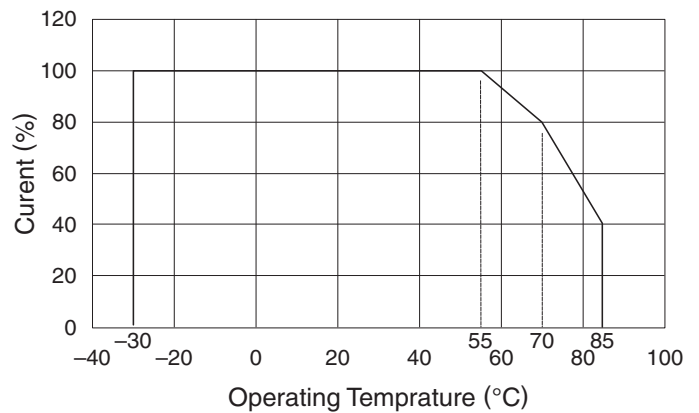
Outline Drawing



Circuit

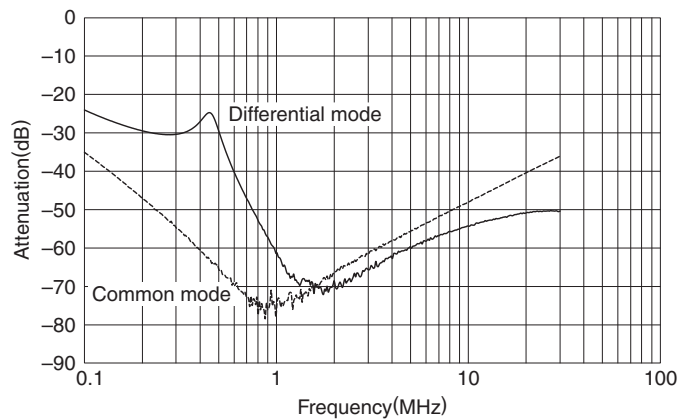


Derating



Attenuation Characteristics

RDEN-048050



For Additional Information, please visit
us.tdk-lambda.com/lp/products/rden-series.htm

