


**Product number CN10861\_IRIS**

Family Iris  
 Type Pack  
 LED Ostar Lighting  
 Color Black  
 Diameter 38 mm  
 Height 28.5 mm  
 Style Round  
 Optic Material PMMA  
 Holder Material PC  
 Fastening Glue  
 Status On production

FWHM 11 degrees  
 Efficiency 90 %  
 cd/lm (simulated) 0.000  
 Gerber File Available

Shipped as unassembled - lens and holder separately.


**Product number CN10953\_IRIS-M**

Family Iris  
 Type Pack  
 LED Ostar Lighting  
 Color Black  
 Diameter 38 mm  
 Height 30 mm  
 Style Round  
 Optic Material PMMA  
 Holder Material PC  
 Fastening Glue  
 Status On production

FWHM 30 degrees  
 Efficiency -  
 cd/lm -  
 Gerber File Available


**Product number CN11470\_IRIS-O**

Family Iris  
 Type Pack  
 LED Ostar Lighting  
 Color Black  
 Diameter 38 mm  
 Height 30 mm  
 Style Round  
 Optic Material PMMA  
 Holder Material PC  
 Fastening Glue  
 Status On production

FWHM 40+30 degrees  
 Efficiency -  
 cd/lm -  
 Gerber File Available

Suitable for Star PCB

**NOTE: The typical divergence will be changed by different color, chip size and chip position tolerance. The typical total divergence is the full angle measured where the luminous intensity is half of the peak value.**



## PRODUCT DATASHEET

### Iris series

last update 16/5/2012



#### GENERAL INFORMATION

- Product series especially designed & optimized for Ostar Lighting series of LEDs.
- Special care taken to make light distribution as uniform as possible.
- Lens material optical grade PMMA with high UV and temperature resistance. Allows use of high current and temperature conditions.

Please find more information about used material from below:

[http://ledil.fi/sites/default/files/Documents/Technical/Material/PMMA%20N%20UL94\\_Yellow%20Card.pdf](http://ledil.fi/sites/default/files/Documents/Technical/Material/PMMA%20N%20UL94_Yellow%20Card.pdf)

<http://ledil.fi/sites/default/files/Documents/Technical/Material/PMMA%20N%20PLEXIGLAS-Datasheet.pdf>

- Optic holder molded by high quality PC material (120 degrees of Celcius / 248 degrees of Fahrenheit).

- Fastening to PCB with appropriate adhesive. By clicking link below you can find Ledil recommended glue options.

[http://www.ledil.com/datasheets/DataSheet\\_GLUES.pdf](http://www.ledil.com/datasheets/DataSheet_GLUES.pdf)

**NOTE 1: We advise customer to ensure the suitability and sufficiency of the bond in the end product. For example, mechanical stress, vibration and holes on the surface of the circuit board weaken the strength of the glue.**

**NOTE 2: All surfaces where glue is applied must be clean, dry and free from grease and dirt. If cleaning of PCB surfaces is needed, please follow strictly the cleaning instructions of your LED manufacturer -this is important as cleaning shall under no circumstances damage LEDs or other electronics components on the PCB.**

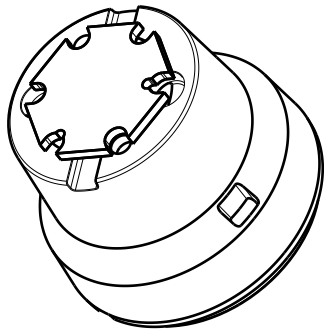
**Further note that optical components shall not be cleaned with any chemicals - only micro fiber cloth may be used to remove fingerprints or other traces from handling.**

D

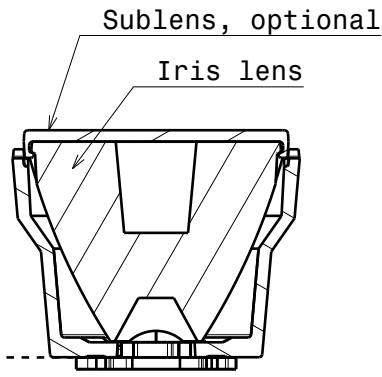
C

B

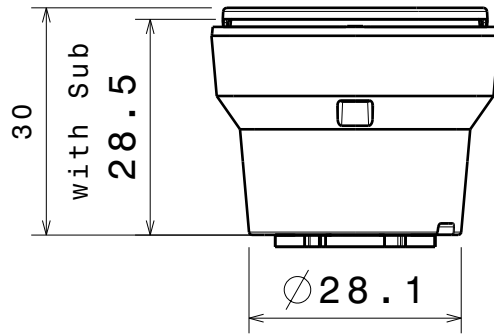
A



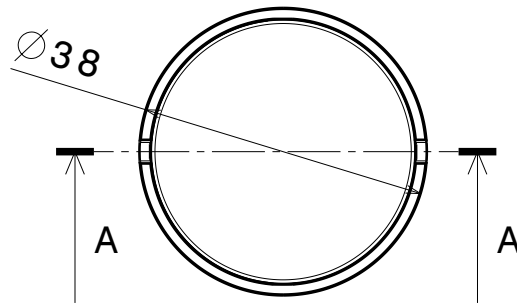
Isometric view



Section view A-A



Front view



Top view

Materials:  
 Lens PMMA  
 Holder PC

This drawing is our property.  
 It can't be reproduced  
 or communicated without  
 our written agreement.



Ledil Oy  
 Salorankatu 10  
 FIN-24100 SALO  
 Finland

DRAWING TITLE

Datasheet Iris MC/ Ostar assy

DRAWN BY  
 a

DATE  
 13.4.2012

CHECKED BY  
 x x

DATE  
 13.4.2012

SIZE  
 A4

DRAWING NUMBER  
 -

REV  
 1

DESIGNED BY

DATE

SCALE

1:1

WEIGHT (g)

SHEET

1/1

D

A

4

4

3

3

2

2

1

1